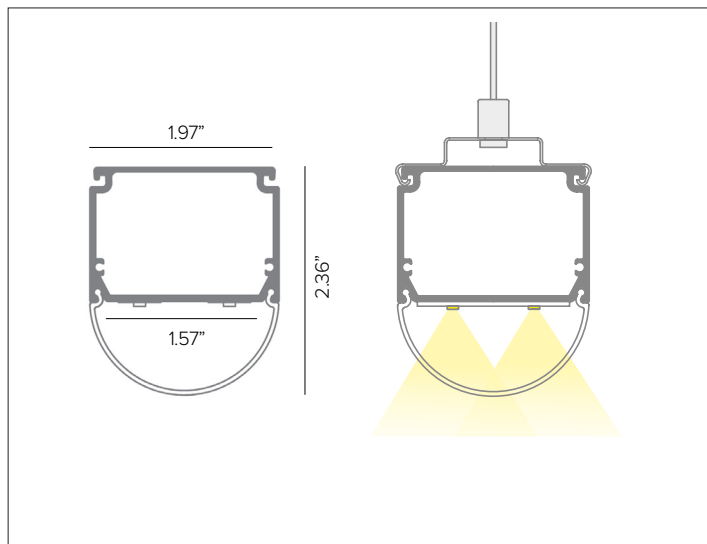
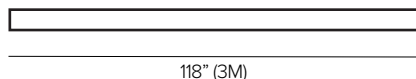
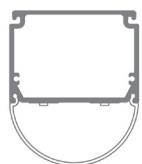


P07A PROFILE

Suspended Aluminum Profile



Shown with P07A-S-PF-300 profile, P07A-A-EC end cap, P07A-A-MC mounting clip with P07A-A-FS suspension kit.



118" (3M)

Aluminum profile with domed 180° opal polycarbonate lens for suspension installation.

Profile must be shipped via freight only. For efficient shipping via UPS/Fedex, lengths can be cut to 59" upon request.

Part No. **P07A-S-PF-300**

ACCESSORIES



Description P07A stainless steel mounting clips, 6pcs. Recommended to use 6pcs for per each 3M profile.

Part No. **P07A-A-MC**



Description P07A end cap kit. 3pcs without hole and 3pcs with hole for connection cable.

Part No. **P07A-A-EC**



Description Suspension cable kit, 3pcs. Recommended to use 3pcs for per each 3M profile.

Part No. **P07A-A-FS**