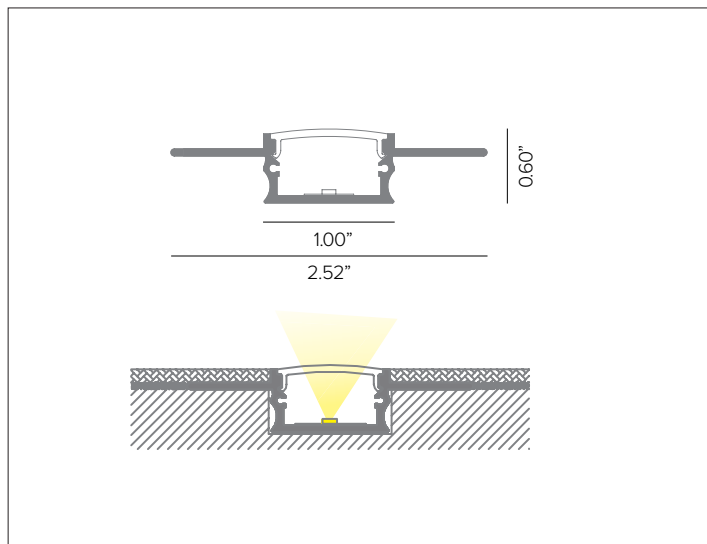
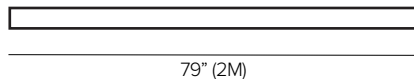


PRINCG PROFILE

Trimless Mud-In Flush Mount Aluminum Profile



Shown as PRINCG profile and no end cap.



Recessed trimless mud-in aluminum profile with opal polycarbonate lens for installation in plasterboard.

Part No. **PRINCG**

ACCESSORIES



Description PRINCG end cap kit. 2pcs without hole and 2pcs with hole for connection cable.

Part No. **KTPRINC-G**