

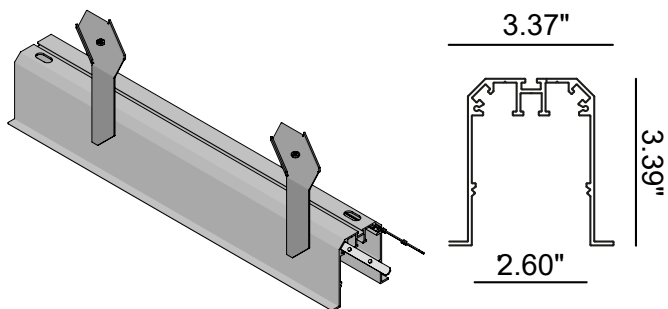


IVY RECESSED PROFILE

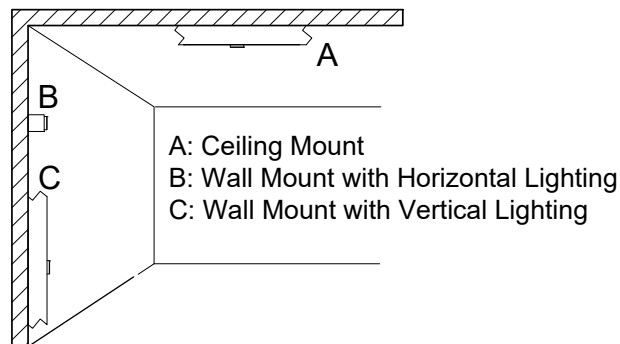
1E4159
1E4160
1E4161

19.69" RECESSED PROFILE FOR IVY LIGHTING SYSTEM
39.37" RECESSED PROFILE FOR IVY LIGHTING SYSTEM
78.74" RECESSED PROFILE FOR IVY LIGHTING SYSTEM

1 - DIMENSIONS




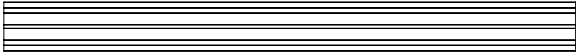
2 - USE


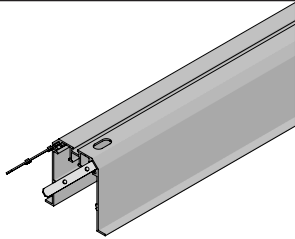


3 - TRACK OPTIONS

- 1E4159**
● Deep Black 19.69" L / 2.05 lbs


 - 1E4160**
● Deep Black 39.37" L / 4.10 lbs


 - 1E4161**
● Deep Black 78.74" L / 8.20 lbs


- 

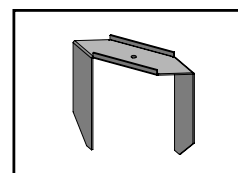
4 - POWER TRACK

Linear Joint



Each profile section includes 2 ea. Linear Joint connector for interconnection.

Recessed Track Support Bracket

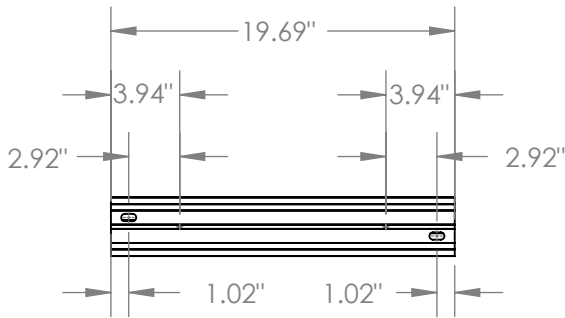


Each profile section includes Support Bracket as follows

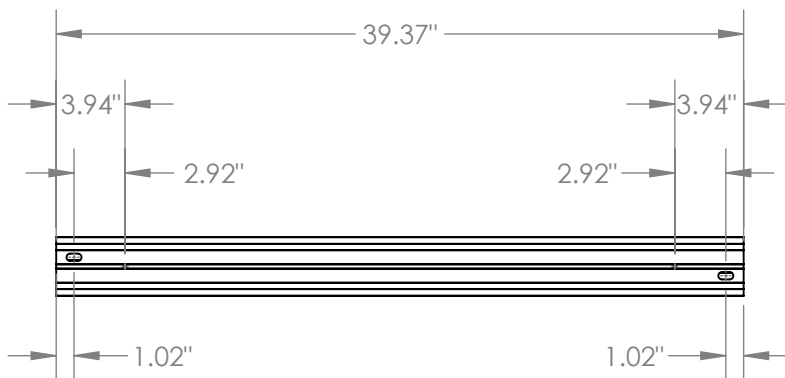
1E4159	0.5m	2 EA.
1E4160	1m	2 EA.
1E4161	2m	2 EA.

5- DIMENSION TRACK

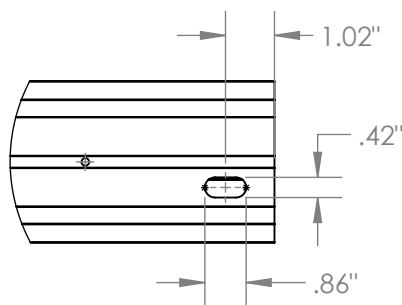
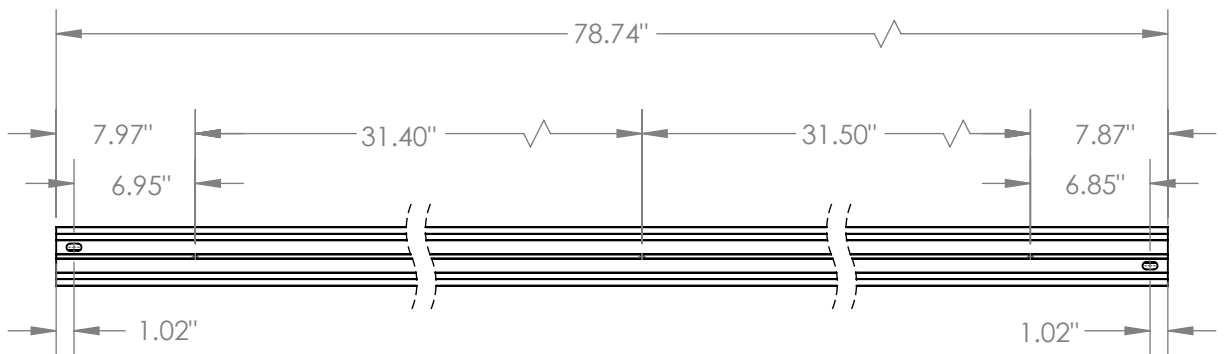
1E4159



1E4160

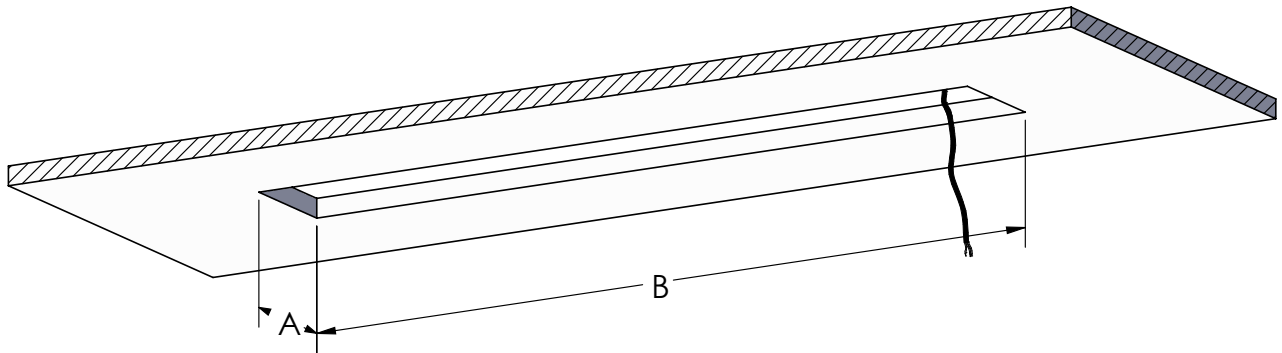
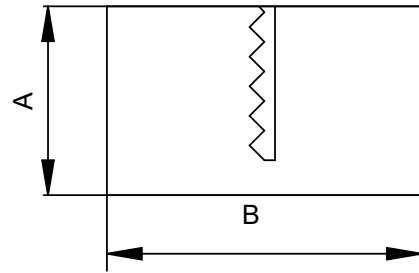


1E4161

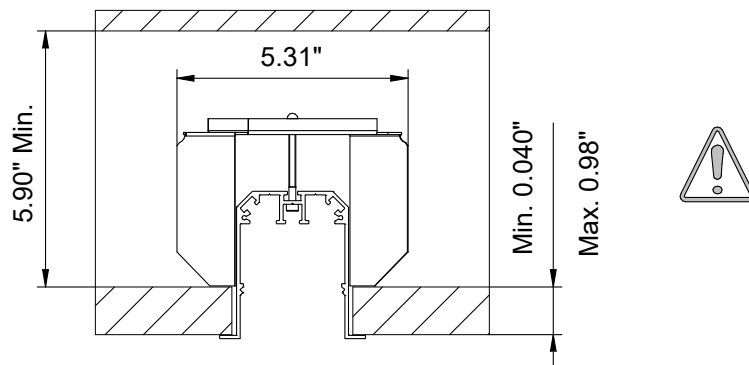
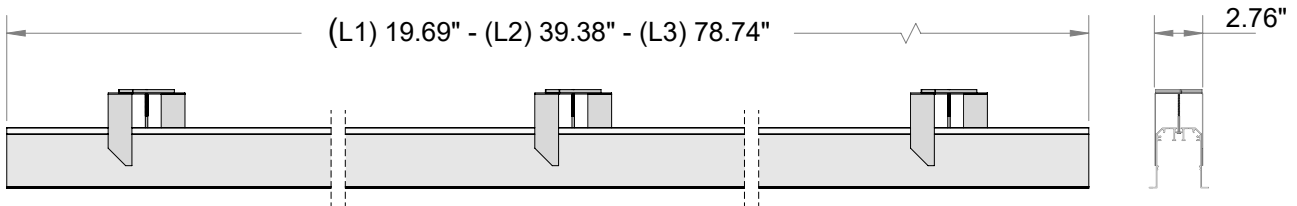


6- CEILING FIXING

	Large	A (in)	B (in)
1E4159	(L1) 19.69"	2.83"	20"
1E4160	(L2) 39.38"	2.83"	42.52"
1E4161	(L3) 78.74"	2.83"	79.1"

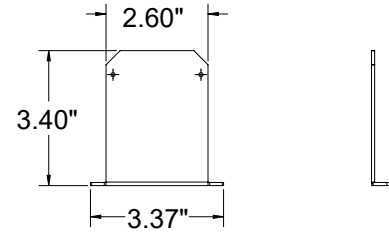
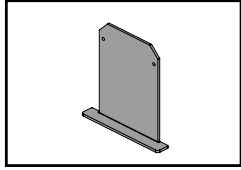


Cut or build slot to fit track at A (in) wide and B (in) length.



7 OPTIONS (REQUIRED)

END CAP (REQUIRED)

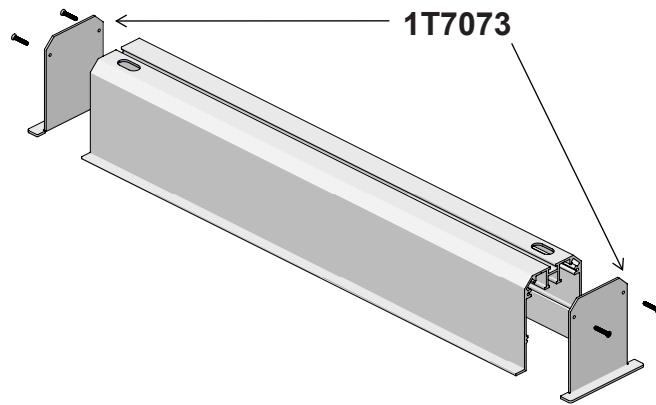


IVY Recessed Profile End Cap kit (2pcs).

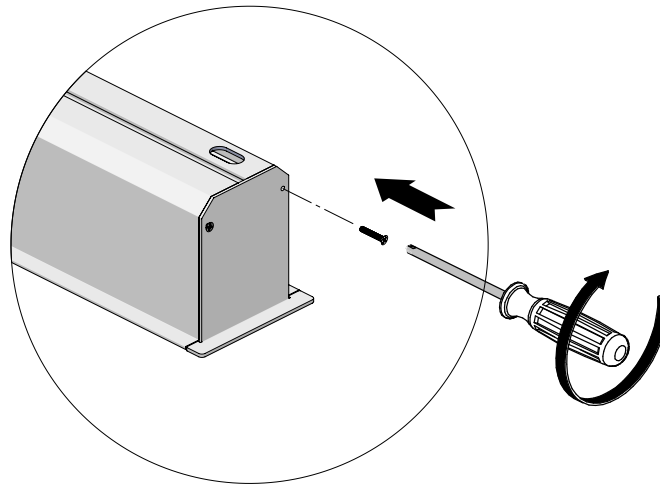
Finish ●

Part No. **1T7073**

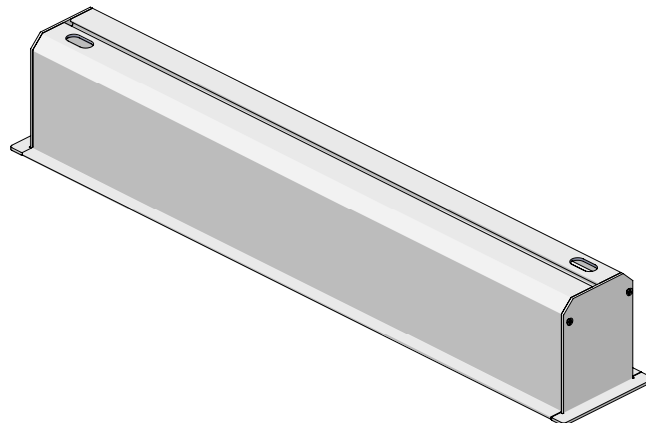
1



2

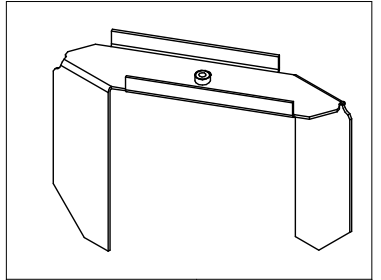


3

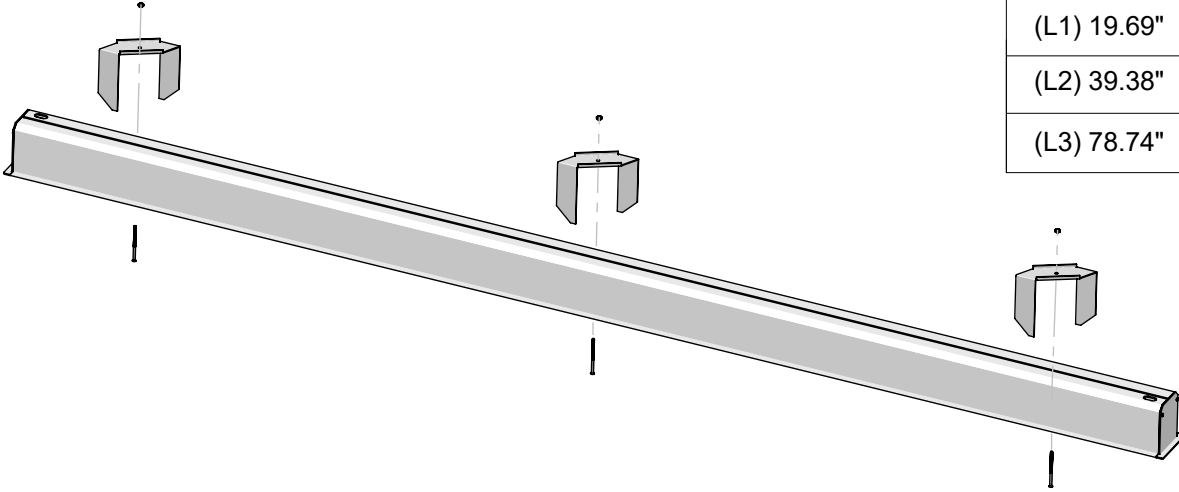


8- INSTALL SUPPORT BRACKET

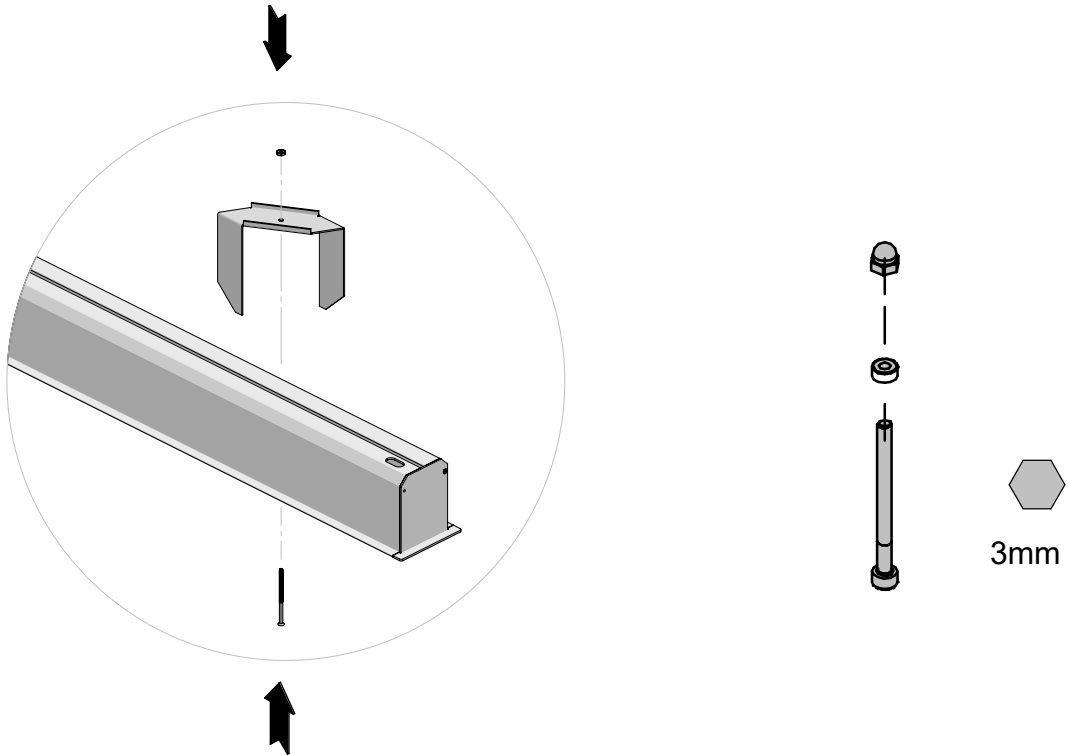
1



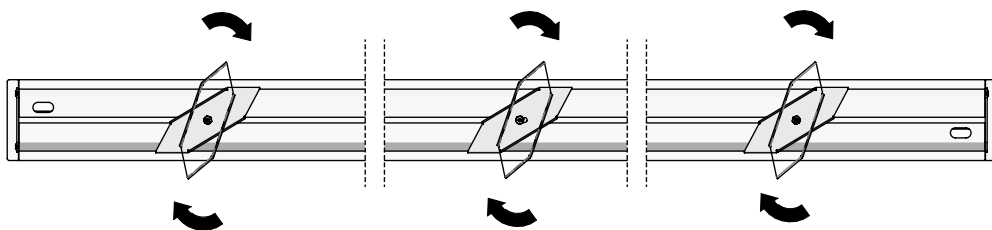
(L1) 19.69"	includes 2 ea.
(L2) 39.38"	includes 2 ea.
(L3) 78.74"	includes 3 ea.



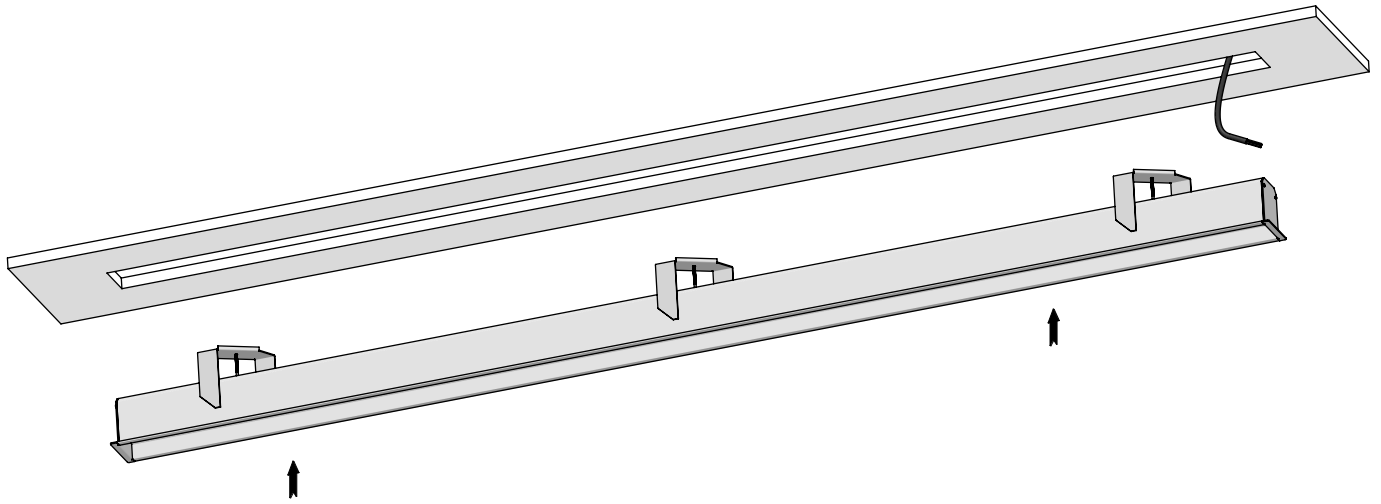
2



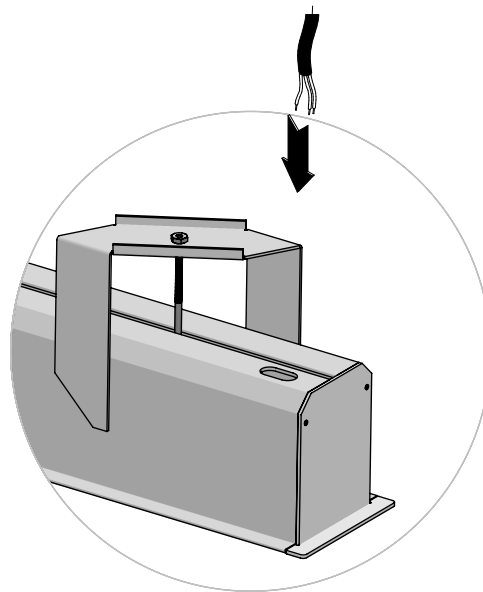
3



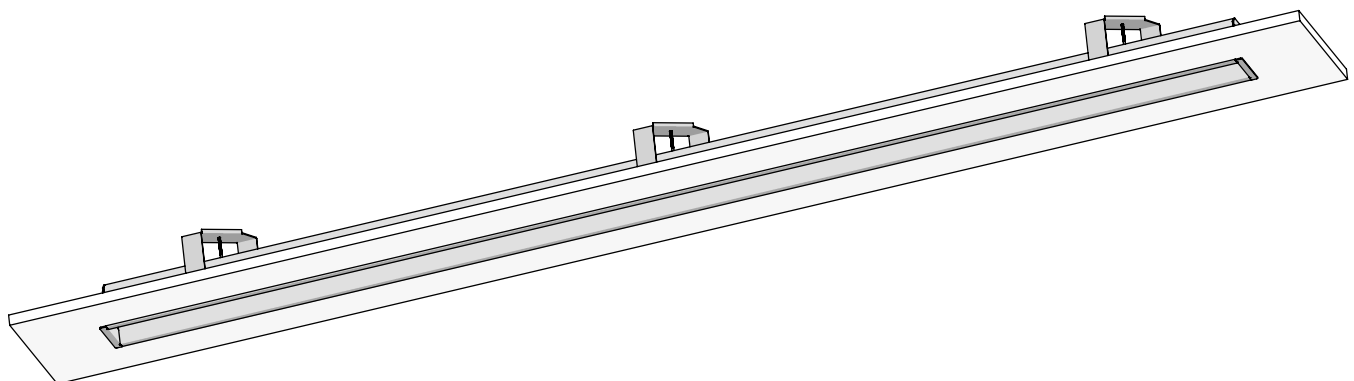
4



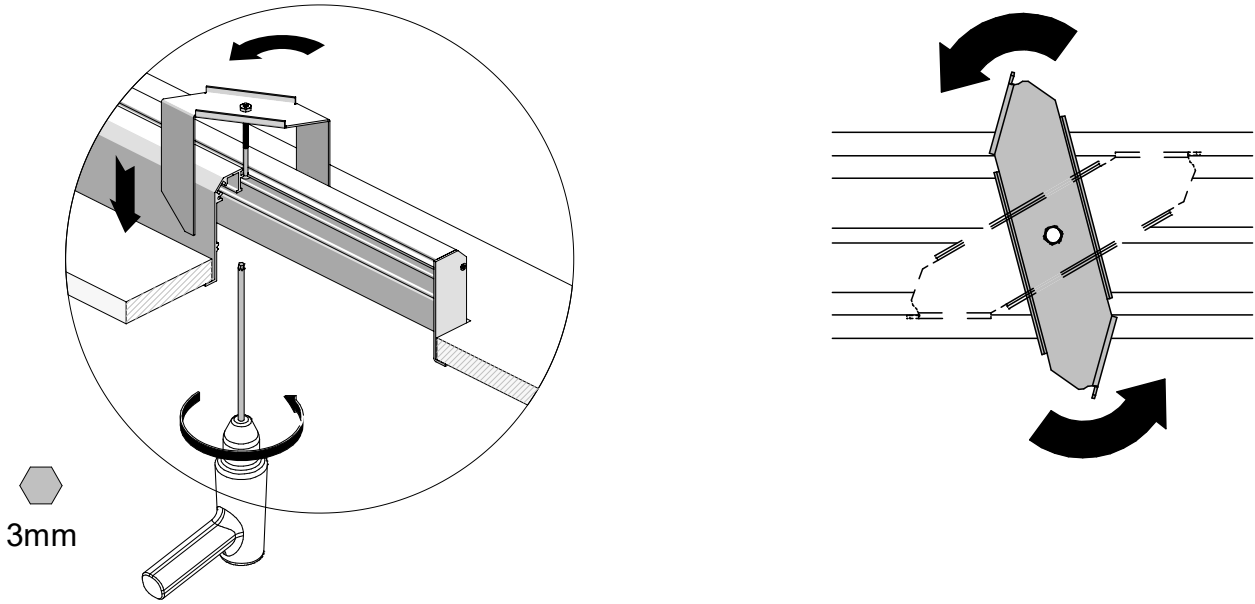
5



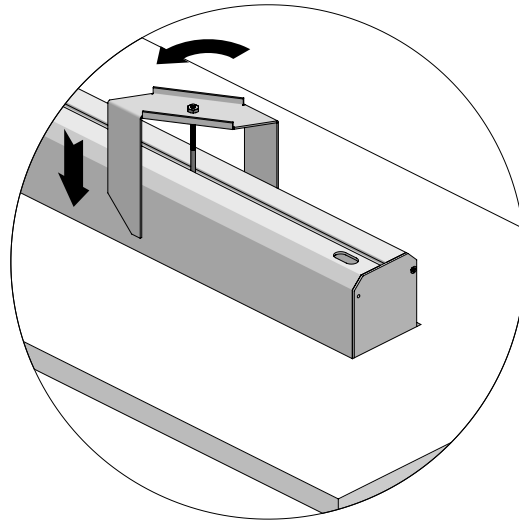
6



7

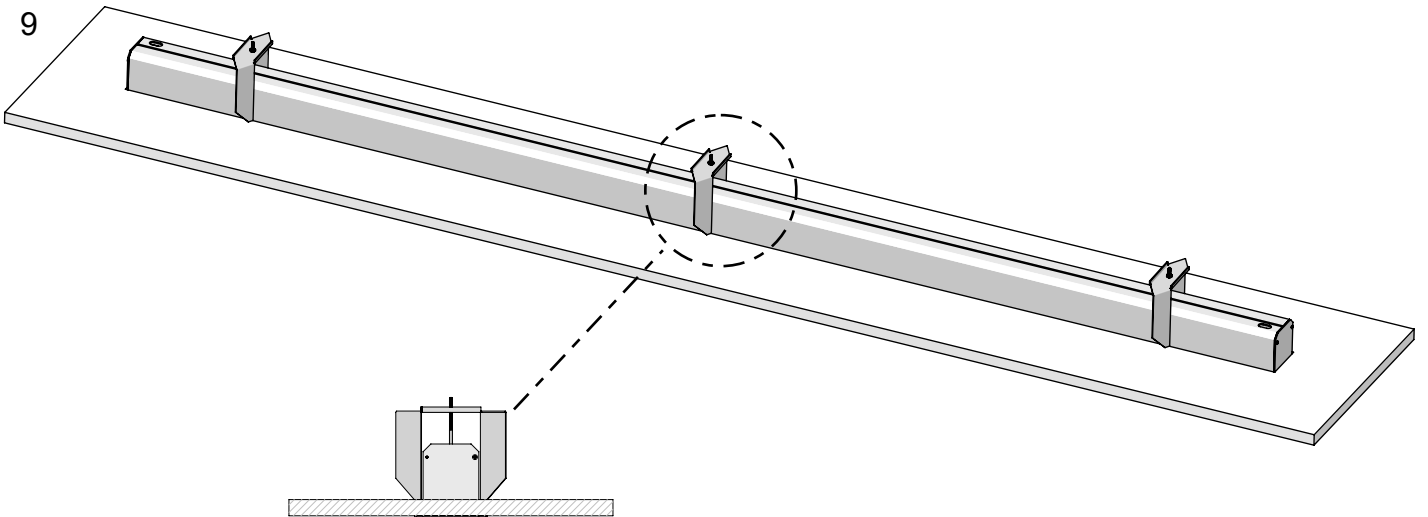


8



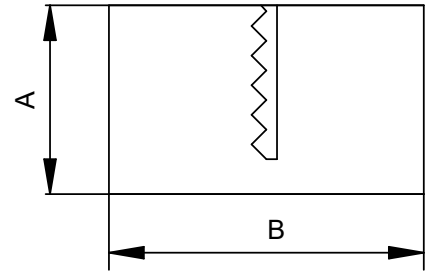
Adjust support Bracket
to touch ceiling (or wall)

9

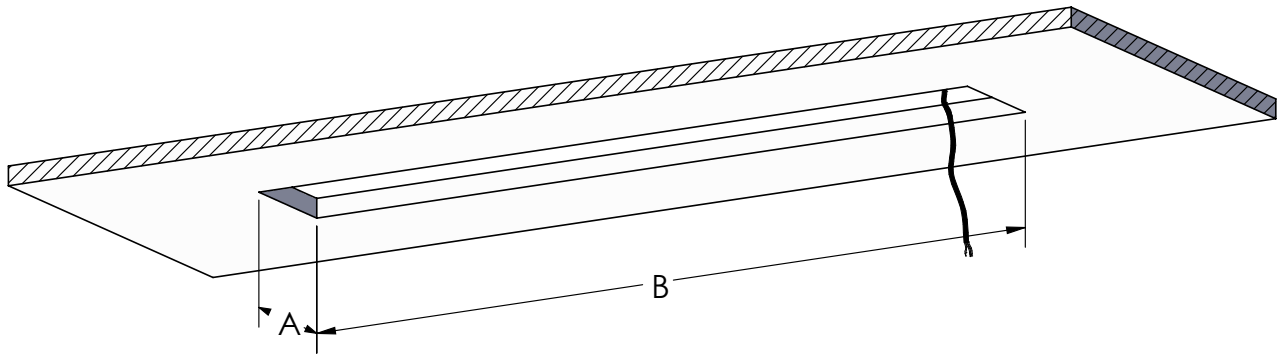


9- LINEAR SYSTEM

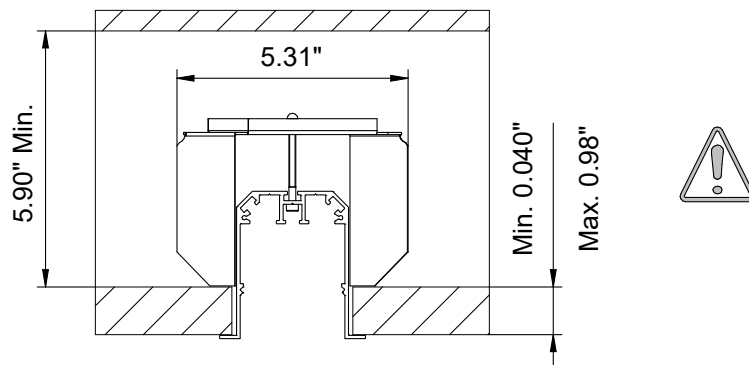
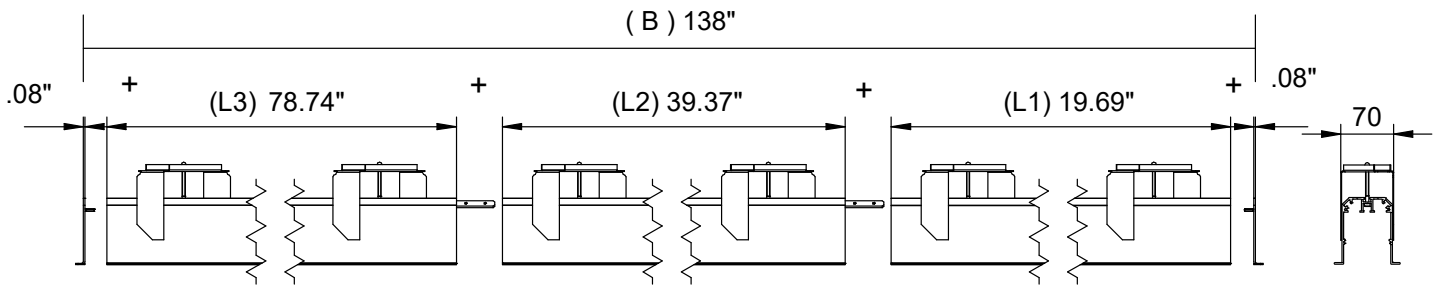
	Large	A (in)	B (in)
1E4159	(L1) 19.69"	2.83"	
1E4160	(L2) 39.38"	2.83"	
1E4161	(L3) 78.74"	2.83"	

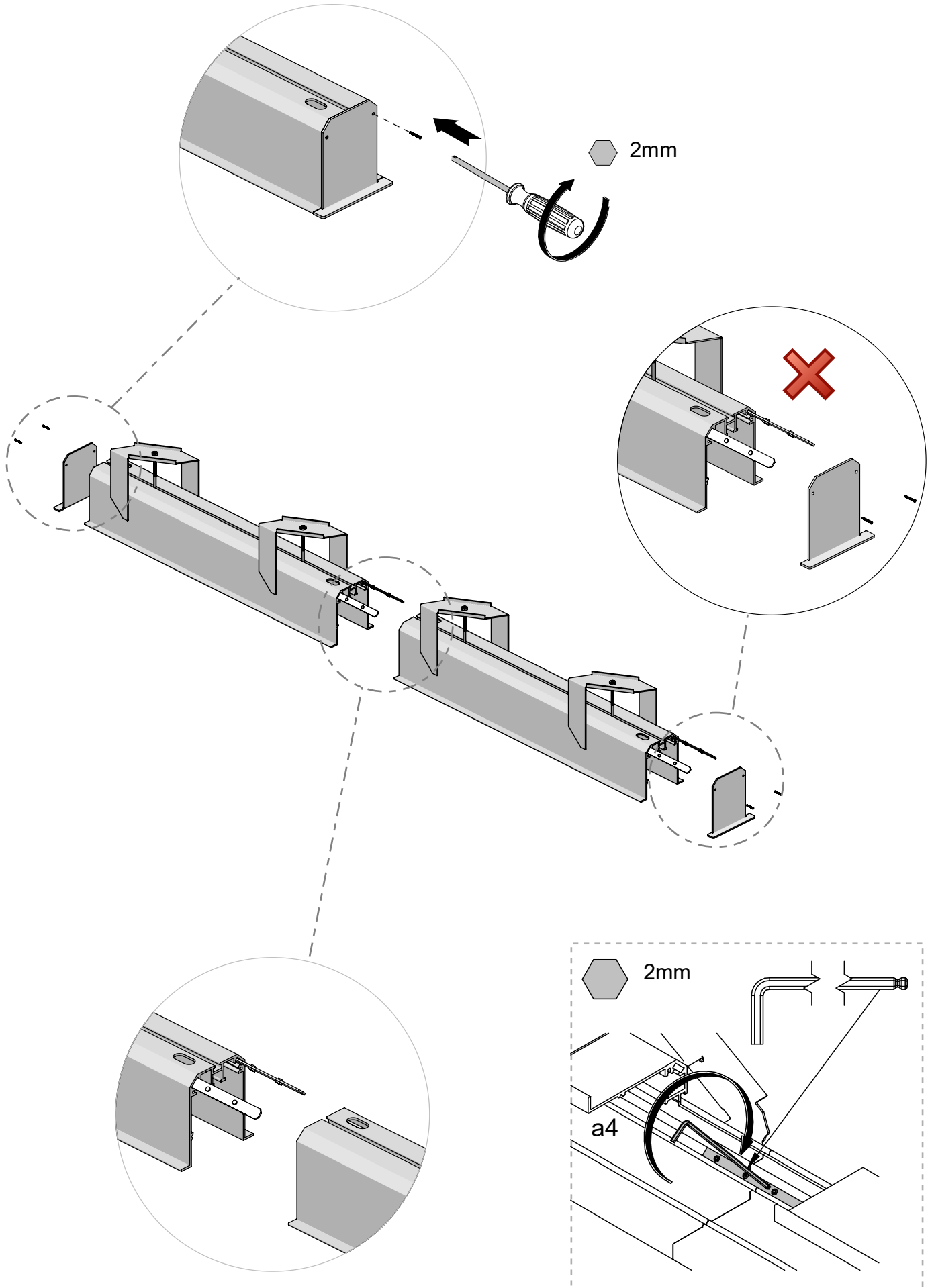


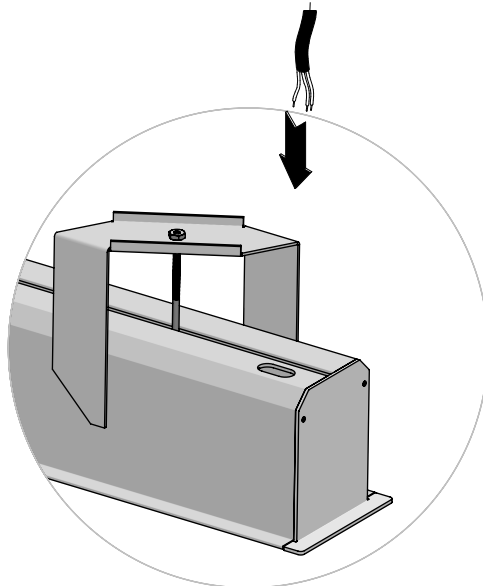
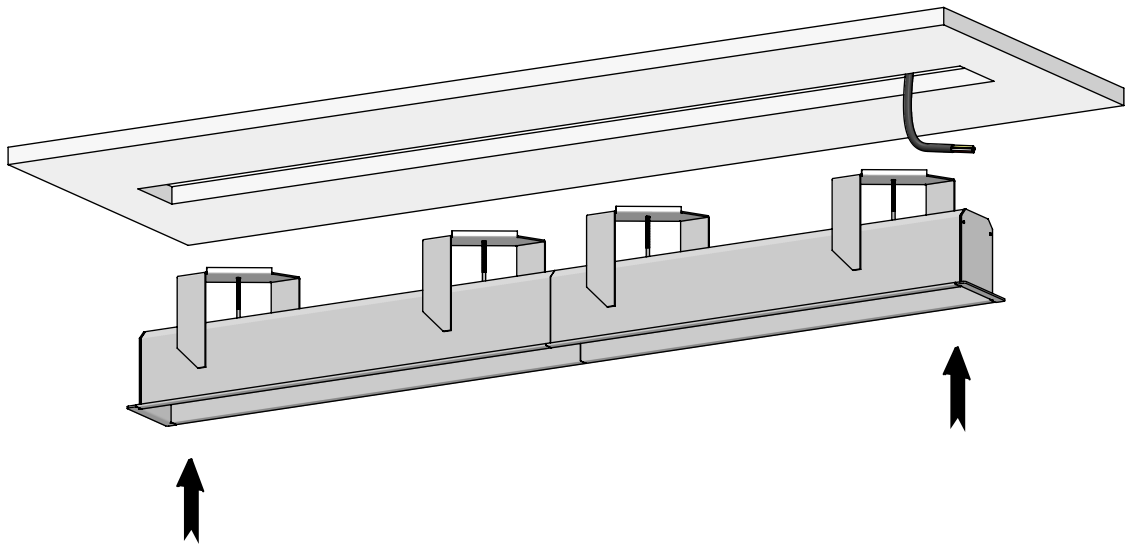
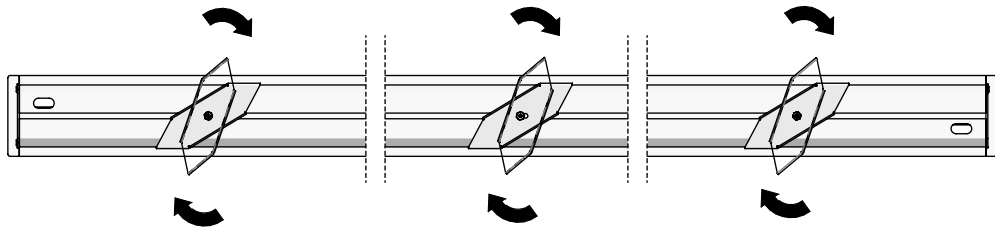
$B = (L1 + L2 + L3) + 0.16"$ (.08" for each End Cap)

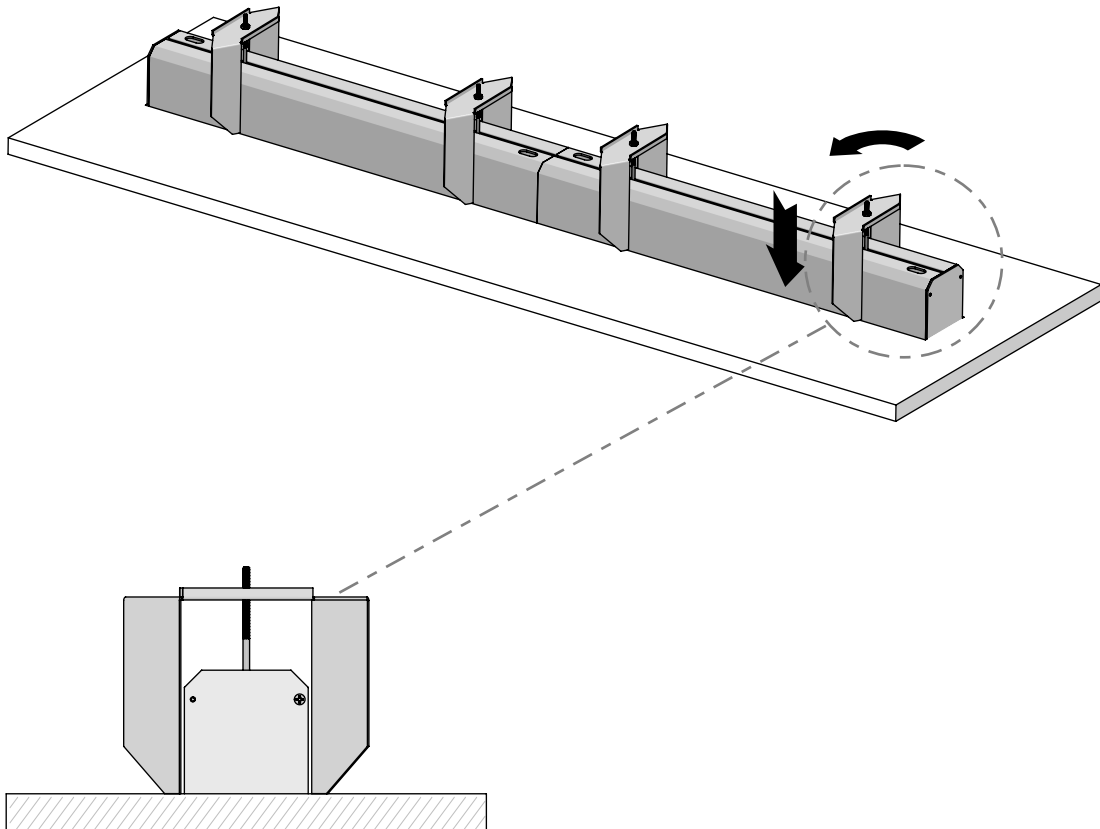
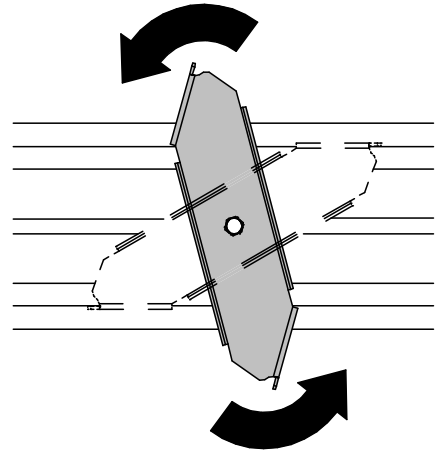
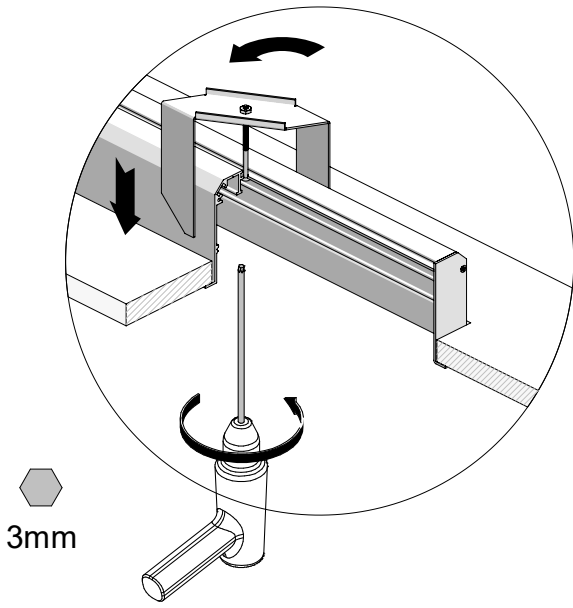


Cut or build slot to fit track at A (in) wide and B (in) length.

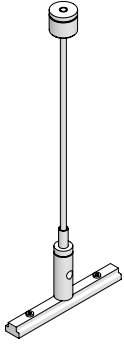








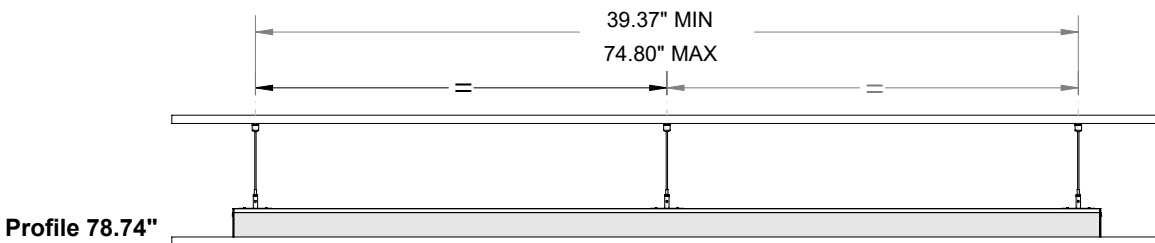
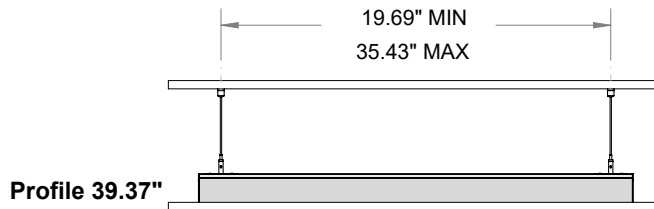
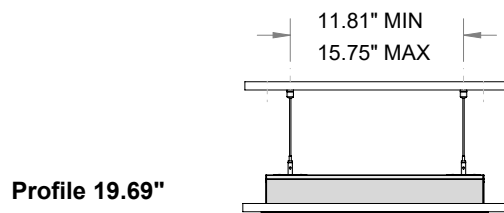
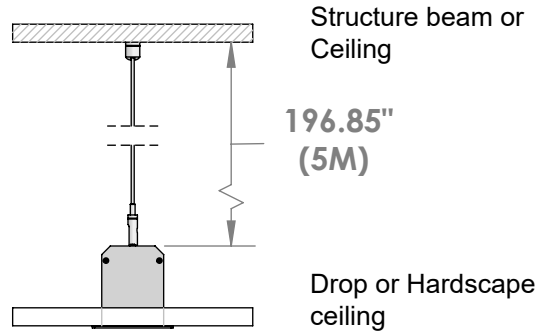
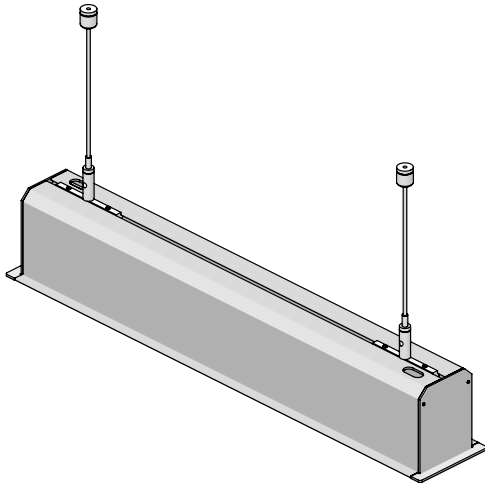
10 STRUCTURAL SUPPORT CABLE (REQUIRED)



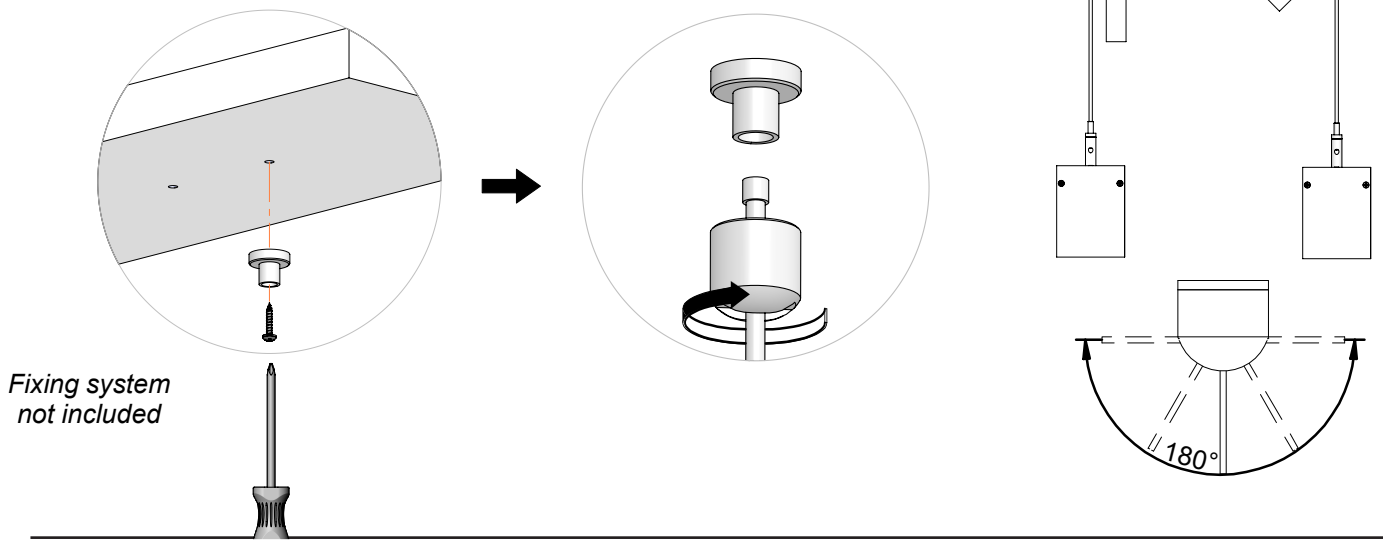
IVY suspension cable kit, 1ea. **REQUIRED** 2ea kits per 19"L and 39"L profiles, 3ea kits for 78"L profile.

Part No. **1US2T0049**

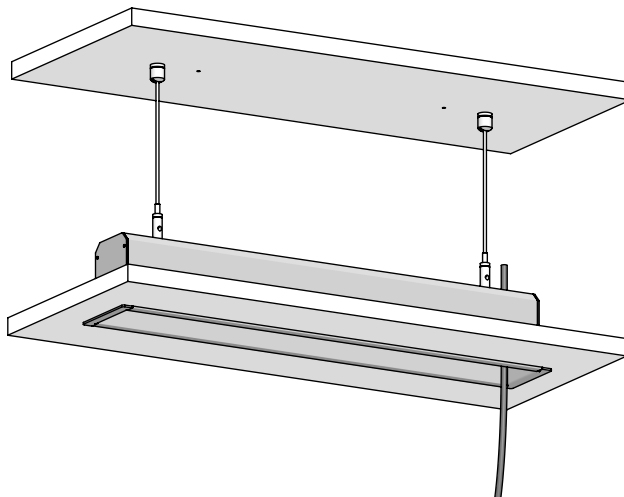
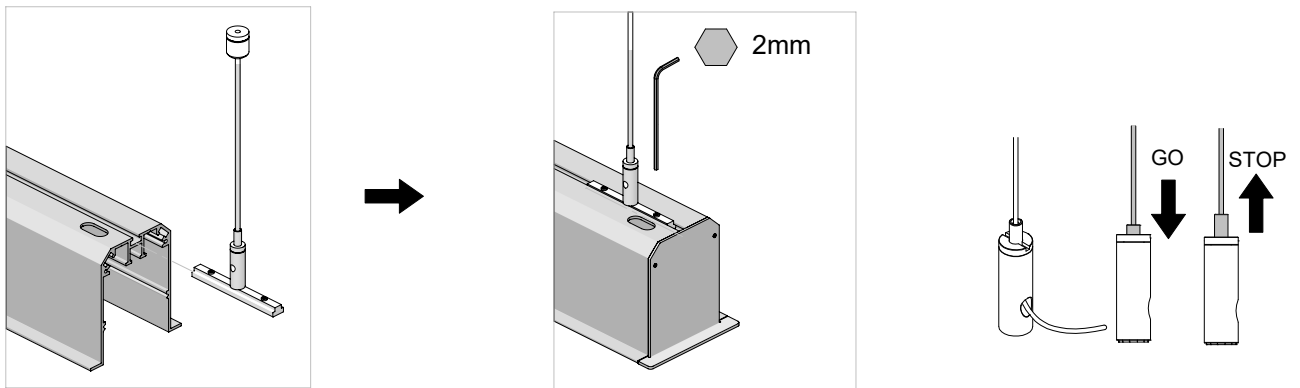
ONLY FOR INDOOR



A

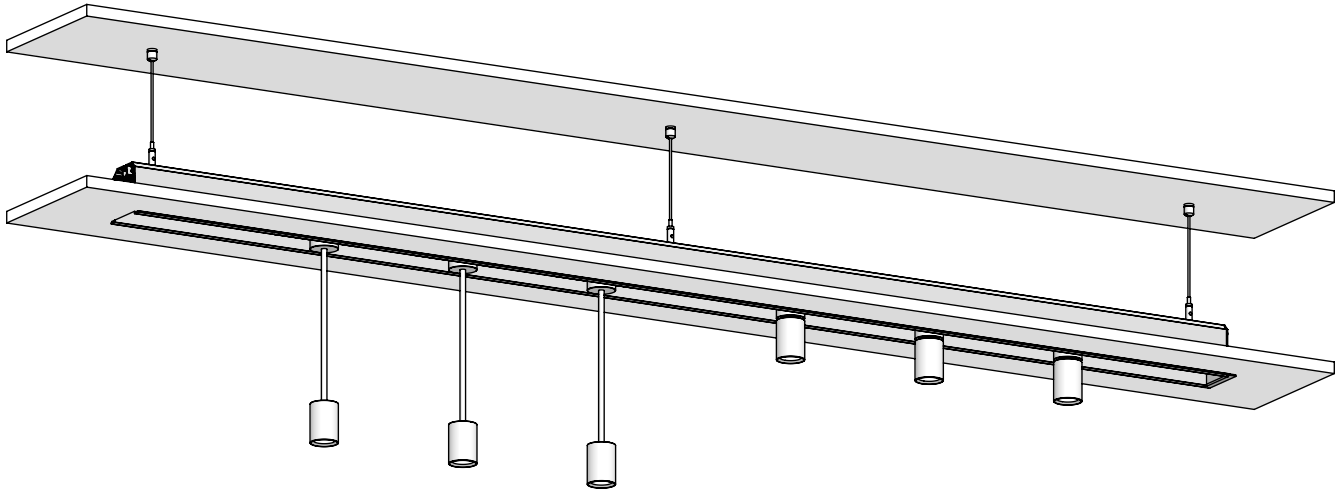


B



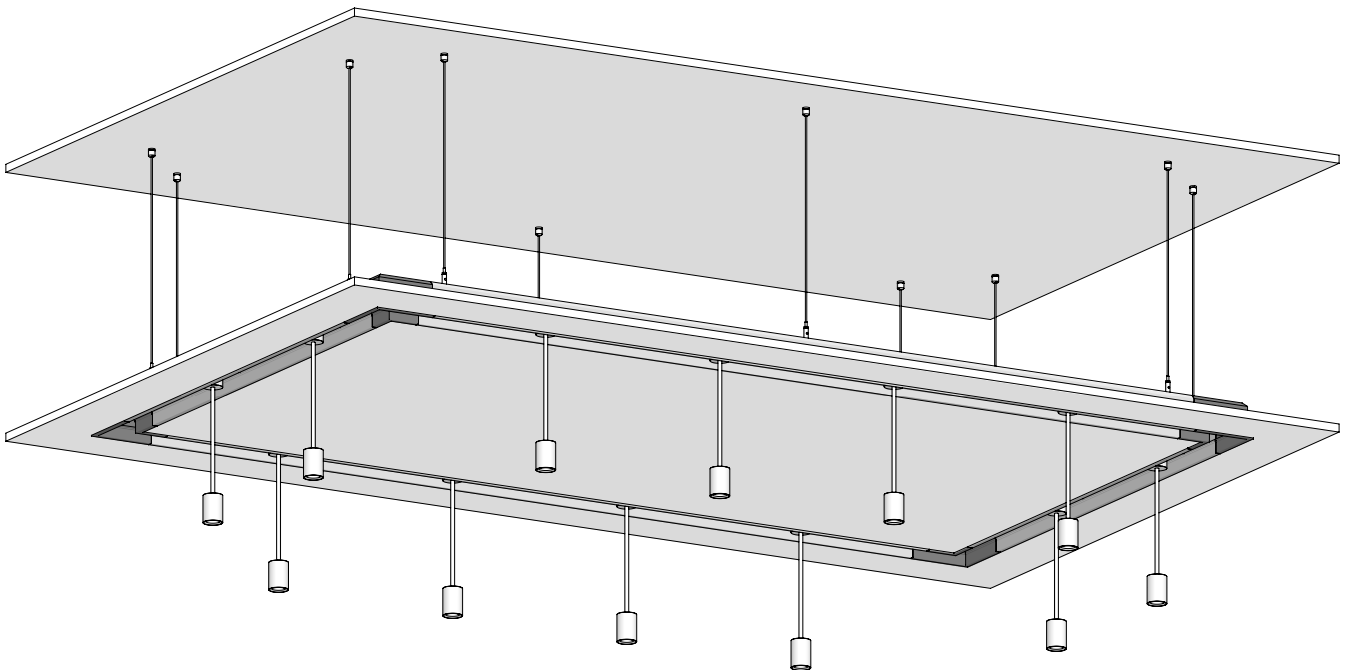
*SUSPENSION ANCHORS
MUST ATTACH TO
STRUCTURAL BEAM(S) OR
LOAD BEARING CEILING

11- STRUCTURAL SUPPORT CABLE (ASSEMBLY EXAMPLE)



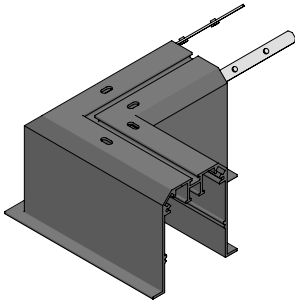
*SUSPENSION ANCHORS
MUST ATTACH TO
STRUCTURAL BEAM(S) OR
LOAD BEARING CEILING

ASSEMBLY EXAMPLE



*SUSPENSION ANCHORS
MUST ATTACH TO
STRUCTURAL BEAM(S) OR
LOAD BEARING CEILING

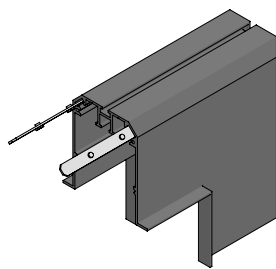
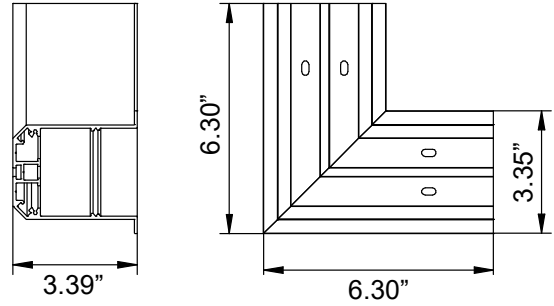
12- JOINT CONNECTOR (OPTIONAL)



IVY recessed profile L-joint connector.

Finish ●

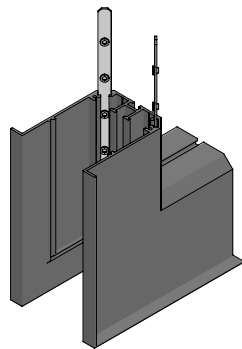
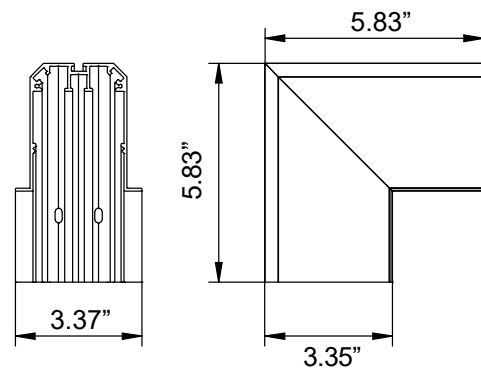
Part No. 1E4259



IVY recessed profile L-concave joint connector.

Finish ●

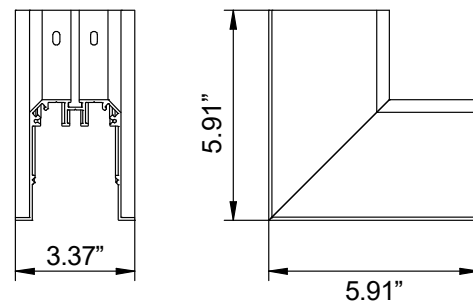
Part No. 1E4260



IVY recessed profile L-convex joint connector.

Finish ●

Part No. 1E4261



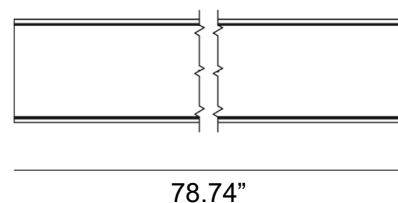
DECORATIVE COVER (OPTIONAL)



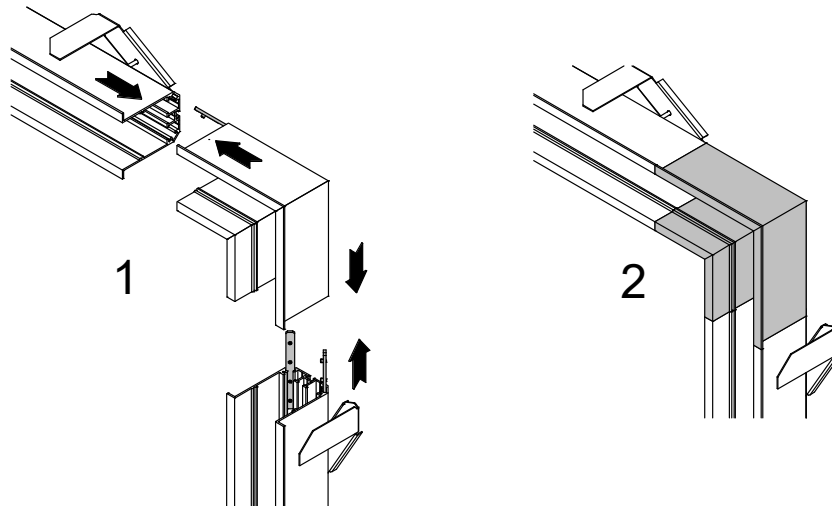
IVY profile decorative cover, field cuttable.

Finish ●

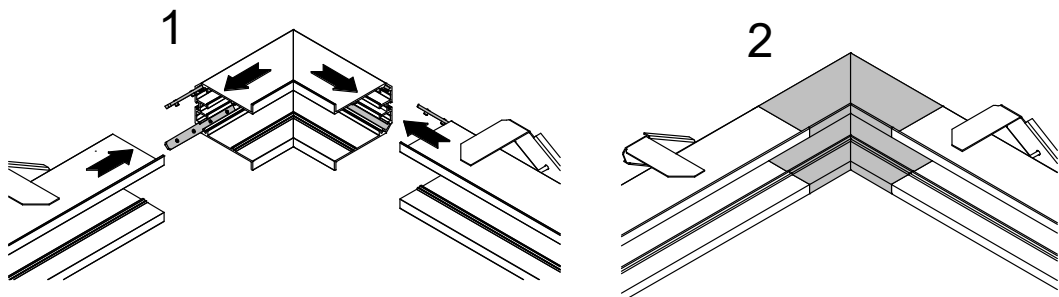
Part No. 1E4170



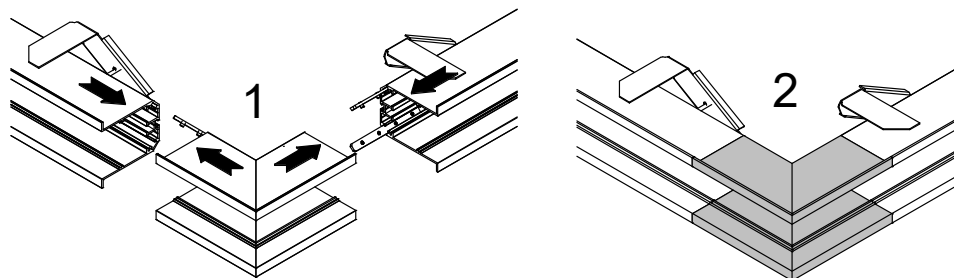
Junction



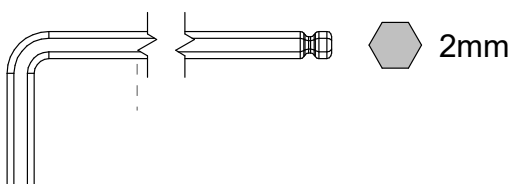
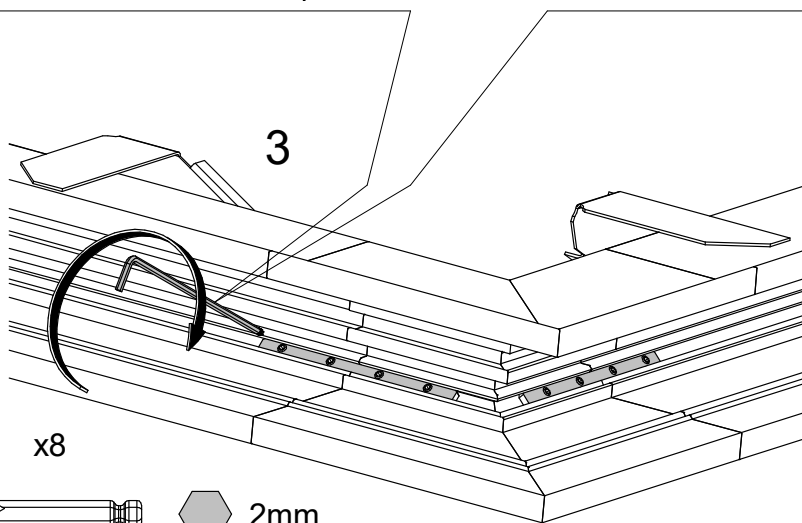
Junction
- IN -



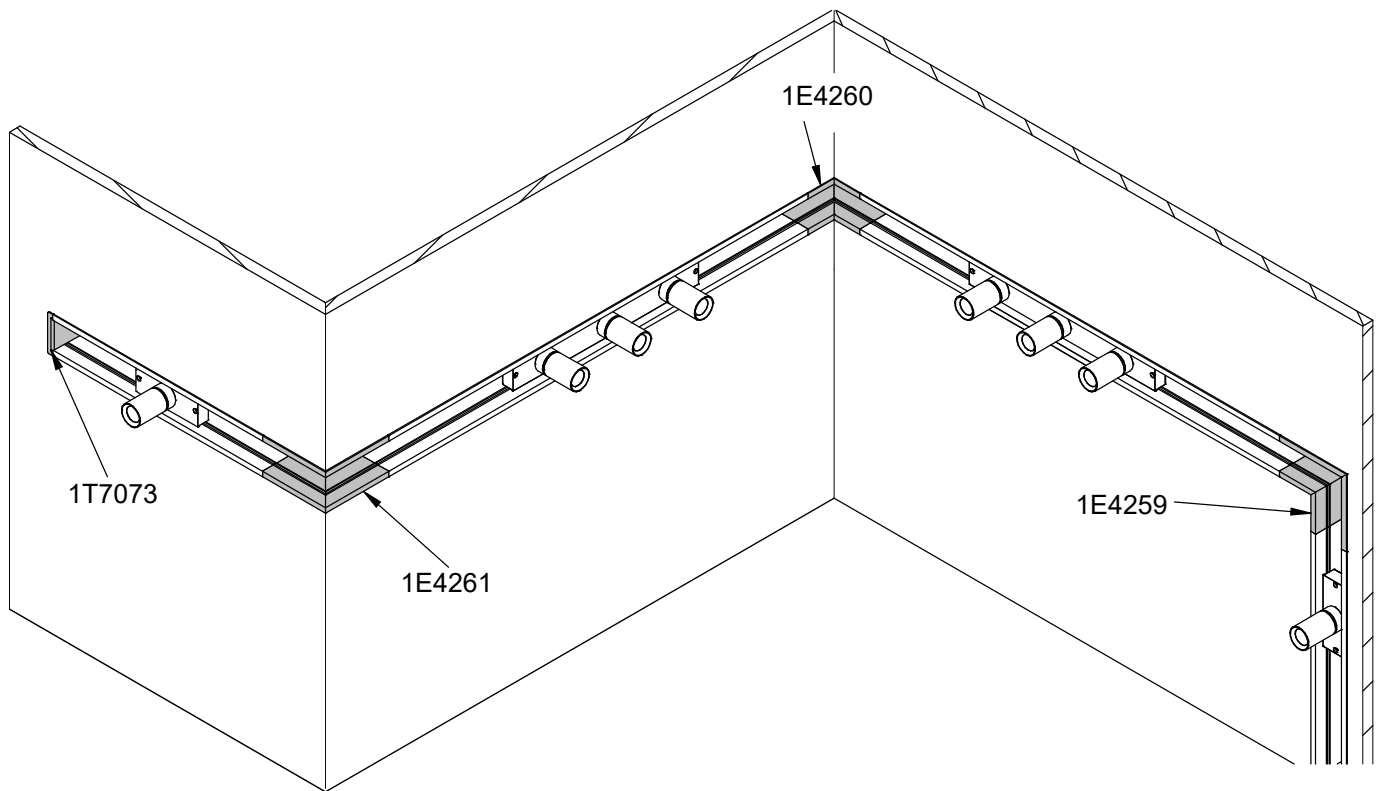
Junction
- OUT -



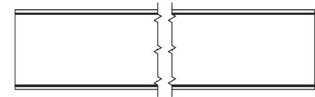
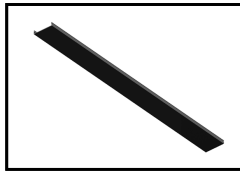
Junction
- L -
- IN -
- OUT -



13- SYSTEM ACCESSORIES



14- DECORATIVE COVER (OPTIONAL)



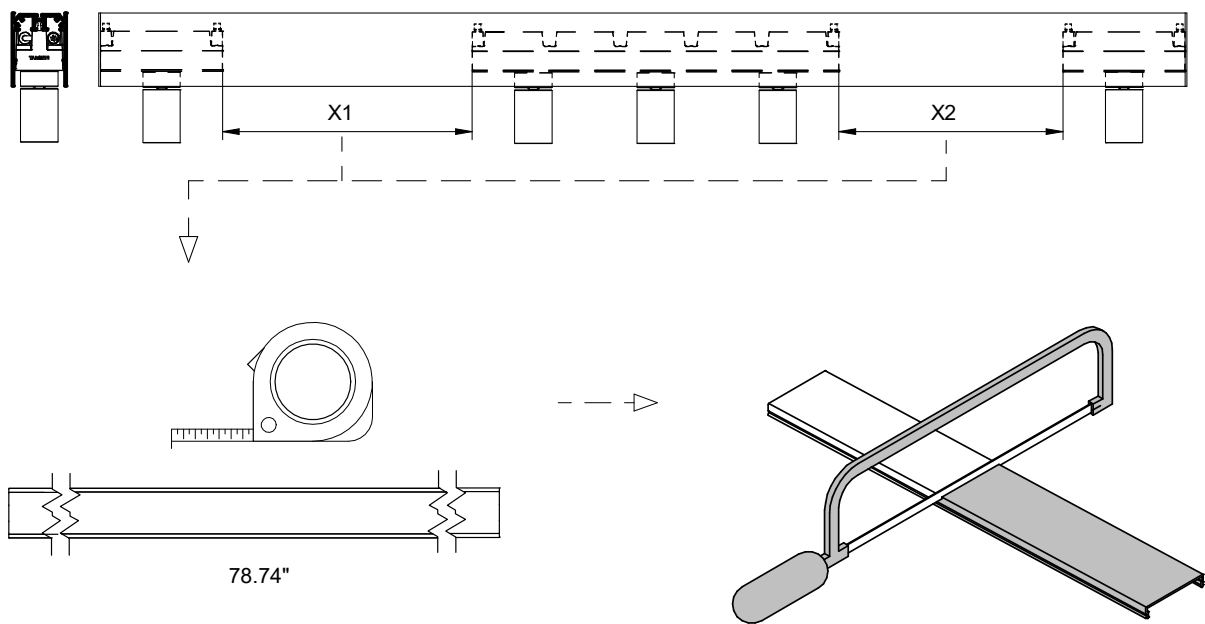
IVY profile decorative cover, field cuttable.

Finish ●

Part No. 11E4170

78.74"

COVER ACCESSORY



IVY profile decorative cover can be field cut to required length (X1, X2) with use of a hand saw and appropriate saw blade for cutting.

