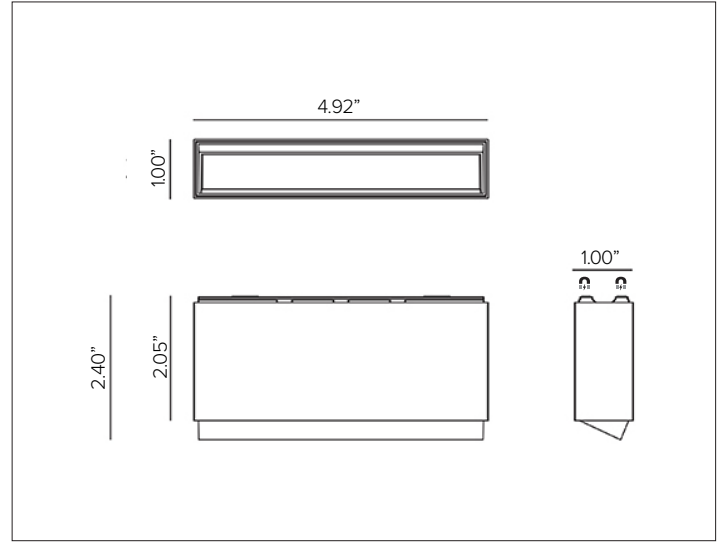


OZ 48V SMALL WALL WASHER

Magnet Mounted Modular Light System



OZ 48V SMALL WALL WASHER. Top to bottom, shown in shown in Deep Black and Plaster White finishes.



CONCEPT

Professional magnet mounted low voltage modular light system allowing for maximum application flexibility.

MECHANICAL CHARACTERISTICS

Dimensions	1"W X 2"H Nominal
Materials	Painted die-cast aluminum body.
Finish	● Plaster White ● Deep Black
Power Connection	Magnetized electrical non-polarized coupling system.
Mounting	Simple magnetized coupling system that mounts directly to OZ 48V POWER RAIL . Provides an easy installation for fixture field mounting and reconfigurations. This modular system meets seismic requirements; no extra security is required.
Weight	0.33lbs
Protection	IP20

CERTIFICATIONS

cULus Class 2 Location Listed.
 Tested in accordance with LM-79-08.
 Compliant with California energy regulations.
 RoHS3 EU 215/863

WARRANTY

5 year limited warranty.

SUSTAINABILITY

Luminaire designed for disposal/recycling at end-of-life. Replaceable LED light source and control gear by a Targetti technician.

ELECTRICAL CHARACTERISTICS

Power Supply	Remote power supply options available.
Wattage	8W
Voltage	48V
Control	0-10V dimmable through remote power / digital dimming interface for group fixture control OR wireless bluetooth control through Casambi app interface for individual fixture and/or optical DBS beam control. Refer to Targetti LMS (Light Management System) for detailed information.

SOURCE

High efficiency LED emitter.

TM30	CCT (Nominal)	CRI	Rf	Rg	SDCM
	2700K	90	87.6	103.9	2
	3000K	90	89.3	104.3	2
	3500K	90	91.4	103.9	2
	4000K	90	90.9	101.1	2

OPTIC

A high reflectance anodized aluminum reflector with holographic diffuser filter and black polycarbonate frame.



Delivered Lumens	2700K	399Lm
	3000K	420Lm
	3500K	433Lm
	4000K	453Lm
Efficacy	56Lm/W max. Refer to photometric graphs for specific values.	
Lifetime	L80/B10 >60,000hrs at max TA +25°C	
Photobiological Classification	Low risk photobiological safety RG1	

OZ 48V SMALL WALL WASHER

SPECIFICATION INFORMATION

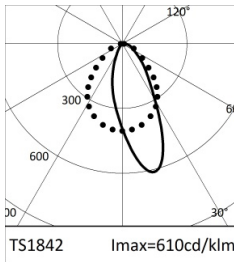


1 - PRODUCT CODE	2 - TYPE	3 - CONTROL	4 - FINISH	5 - WATTAGE	6 - KELVIN
OZ — OZ 48V	SWW — Small Wall Washer	D — 0-10V Digital Dim C — Casambi Wireless Bluetooth	PW — Plaster White DB — Deep Black RAL — Custom RAL	L1 — 8W	27 — 2700K 30 — 3000K 35 — 3500K 40 — 4000K

7 - RAIL & DRIVER	8 - PROFILE
REQUIRED See OZ 48V POWER RAIL spec sheet for specification information.	OPTIONAL See OZ 48V PROFILE spec sheets for specification information. SURFACE/ SUSPENSION or RECESSED .

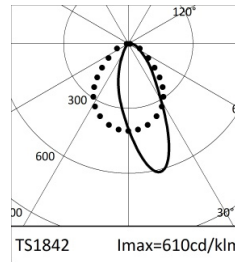
OZ 48V SMALL WALL WASHER

PHOTOMETRY



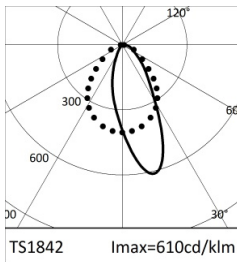
2700K		H(m)	D1(m)	D2(m)	E _{max} (lx)		
Ra90			35°	77°			
Fixture Power	8W	1	0.67	1.65	350		
Source Flux	621lm	2	1.34	3.30	88		
Fixture Flux	399lm	3	2.00	4.95	39		
Efficacy	48lm/W	4	2.67	6.60	22		
TS1842	I _{max} =610cd/klm	I _{max}	379cd	5	3.34	8.24	14

Maximum UGR = 32.2 (based on actual lumens)



3000K		H(m)	D1(m)	D2(m)	E _{max} (lx)		
Ra90			35°	77°			
Fixture Power	8W	1	0.67	1.65	369		
Source Flux	654lm	2	1.34	3.30	92		
Fixture Flux	420lm	3	2.00	4.95	41		
Efficacy	51lm/W	4	2.67	6.60	23		
TS1842	I _{max} =610cd/klm	I _{max}	399cd	5	3.34	8.24	15

Maximum UGR = 32.4 (based on actual lumens)



3500K		H(m)	D1(m)	D2(m)	E _{max} (lx)		
Ra90			35°	77°			
Fixture Power	8W	1	0.67	1.65	380		
Source Flux	674lm	2	1.34	3.30	95		
Fixture Flux	433lm	3	2.00	4.95	42		
Efficacy	52lm/W	4	2.67	6.60	24		
TS1842	I _{max} =610cd/klm	I _{max}	411cd	5	3.34	8.24	15

Maximum UGR = 32.5 (based on actual lumens)



4000K		H(m)	D1(m)	D2(m)	E _{max} (lx)		
Ra90			35°	77°			
Fixture Power	8W	1	0.67	1.65	397		
Source Flux	704lm	2	1.34	3.30	99		
Fixture Flux	453lm	3	2.00	4.95	44		
Efficacy	55lm/W	4	2.67	6.60	25		
TS1842	I _{max} =610cd/klm	I _{max}	430cd	5	3.34	8.24	16

Maximum UGR = 32.7 (based on actual lumens)

OZ 48V SMALL WALL WASHER

CONTROL SYSTEM

Controlling light has never been easier. Targetti [LMS \(Light Management System\)](#) with Control by Casambi was created to make it possible to control light via Bluetooth Low Energy without the use of any special cables, ensuring system operational readiness. This wireless technology is compatible with all modern smart devices: smartphones, tablets and even smartwatches. Targetti fixtures are equipped with a special interface that allows them to communicate with each other to create a remotely controllable "smart" network.

The advantages are boundless. The possibility for users to interact with lighting – varying intensity, tone and shape in complete freedom and autonomy according to their needs. The design approach known as Human Centric Lighting that places people at the center of lighting projects.

Flexible and easy to use, suitable for managing all types of simple to more complex systems, LMS is a future-oriented system that can be constantly updated because it can be used with a simple application that can be downloaded onto a mobile device to manage the entire system in wireless mode.

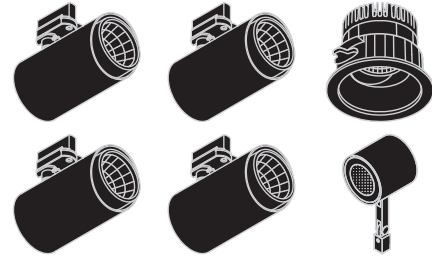
INSTALLATION SEQUENCE

1

Choose Targetti fixtures by opting for the Targetti Casambi Ready package or Casambi accessory components



Single



Groups

2

Download the Casambi iOS or Android App depending on the device used

Unit control

3

Launch the App: the fixtures in operation will be detected automatically

4

Create one or two networks depending on the characteristics of the environment

5

Create groups of devices as needed

6

Program scenes and/or sequences.

7

Set the level of network sharing

