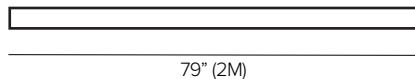
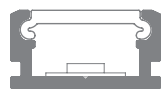
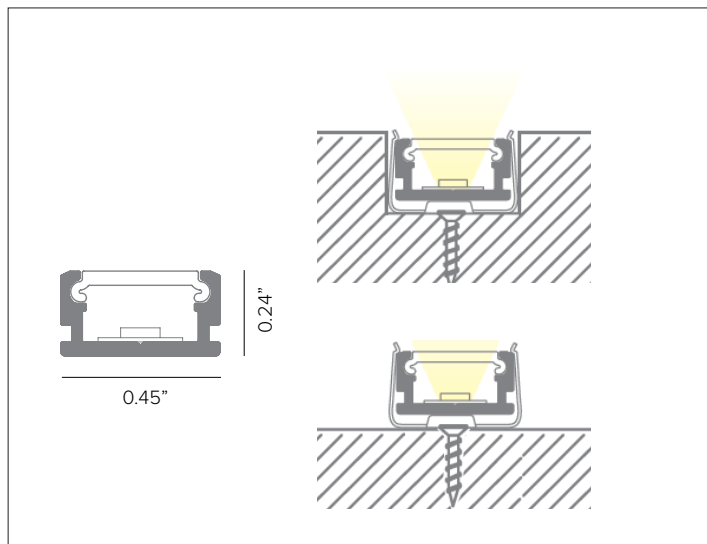


P01A PROFILE

Compact Surface Aluminum Profile



Shown with P01A profile and P01A-A-EC end cap.



79" (2M)

Compact aluminum profile with frosted polycarbonate lens for surface or flush recessed installation.

Part No. **P01A-S-PF-200**

ACCESSORIES



Description Stainless steel mounting clips, 4pcs. Recommended to use 4pcs for per each 2M profile.

Part No. **P01A-A-MC**



Description P01A end cap kit, silver finish. 2pcs without hole and 2pcs with hole for connection cable.

Part No. **P01A-A-EC**