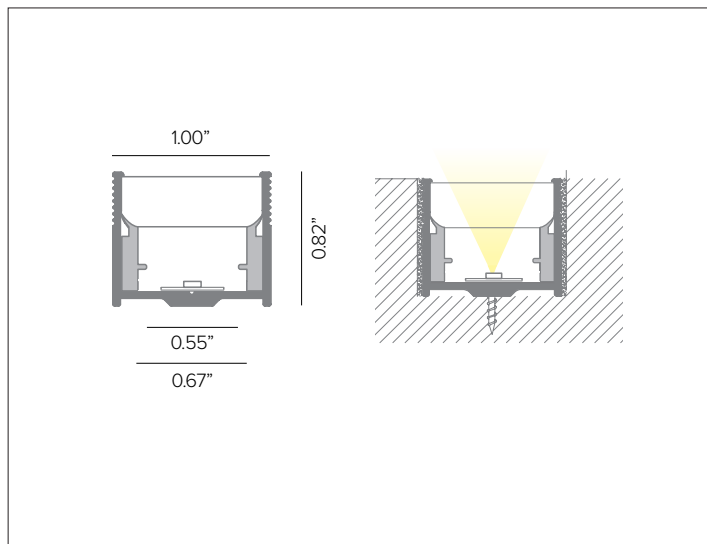
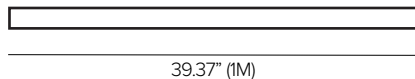


PRINTCGUS PROFILE

Recessed Aluminum Profile



Shown with PRINTC-GUS profile and KTRINTC-G end cap.



Rigid high impact resistant PMMA profile complete with two part white plastic diffuser lens and aluminum channel for surface or recessed mounting.

Part No. **PRINTC-GUS**

ACCESSORIES



Description PRINTC-GUS end cap kit. 2pcs without hole and 2pcs with hole for connection cable.

Part No. **KTRINTC-G**