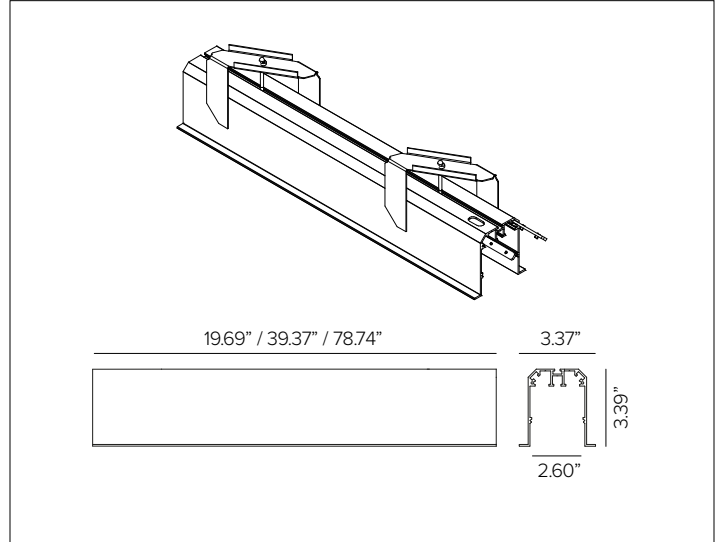
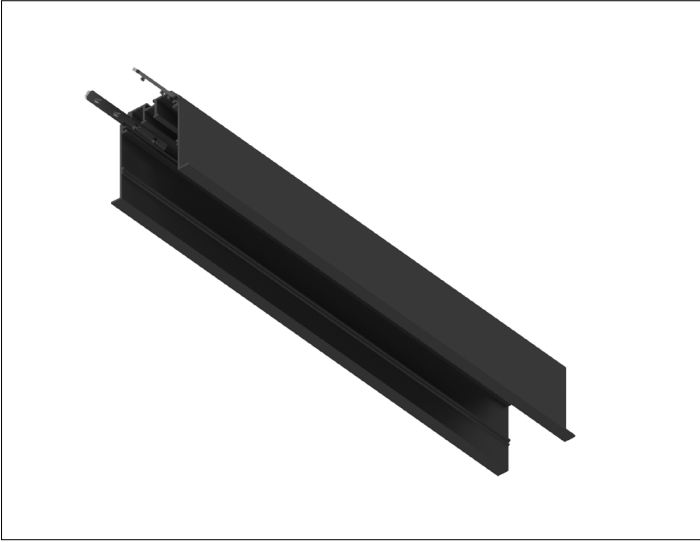


# IVY RECESSED PROFILE

## Recessed Profile for IVY Lighting System



### CONCEPT

Professional recessed ceiling/wall mounted low voltage modular light system allowing for maximum application flexibility.  
*Designed in collaboration with Stefano Boeri Interiors as product design consultant.*

### MECHANICAL CHARACTERISTICS

<b>Dimensions</b>	3.37"W x 3.39"H
<b>Materials</b>	Extruded aluminum profile with flange protected with a layer of black anodization, minimum thickness of 15 $\mu$ .
<b>Finish</b>	● Deep Black
<b>Functionality</b>	Different mounting configurations are achievable using joint connectors that make it possible to build a simple or complex systems. To be completed with IVY series lighting modules.
<b>Mounting</b>	Recessed flanged profile for use in indoor/outdoor installations. Profile system configurations are achieved through joint connectors.
<b>Weight</b>	19.69" L: 2.05 lbs / 39.37" L: 4.10 lbs / 78.74" L: 8.20 lbs

### WARRANTY

5 year limited warranty.

# IVY RECESSED PROFILE

## SPECIFICATION INFORMATION

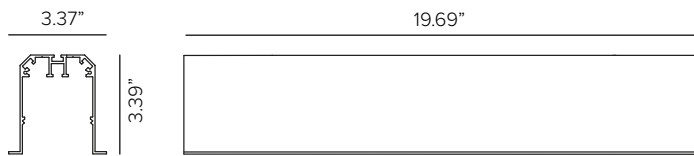


Ex: 1E4159 / 1T7073

1 - PROFILE	2 - END CAP	3 - SUPPORT CABLE	4 - JOINT CONNECTOR	5 - DECORATIVE COVER
REQUIRED	REQUIRED	REQUIRED	OPTIONAL	OPTIONAL

● Deep Black Finish

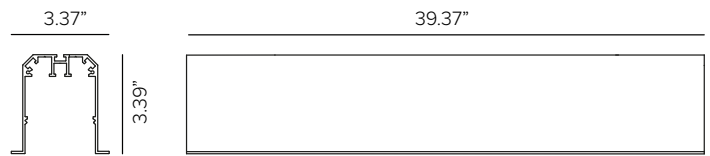
### 1 - PROFILE (REQUIRED)



IVY recessed aluminum profile with flange. Provided with 2ea structural mounting support brackets.

Finish ●

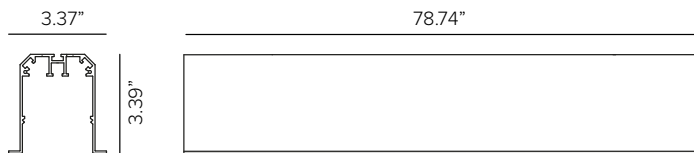
Part No. **1E4159**



IVY recessed aluminum profile with flange. Provided with 2ea structural mounting support brackets.

Finish ●

Part No. **1E4160**

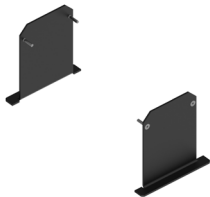


IVY recessed aluminum profile with flange. Provided with 3ea structural mounting support brackets.

Finish ●

Part No. **1E4161**

### 2 - END CAP (REQUIRED)

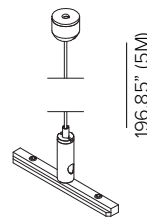


IVY recessed profile end cap kit, 2pcs.

Finish ●

Part No. **1E4258**

### 3 - STRUCTURAL SUPPORT CABLE (REQUIRED)

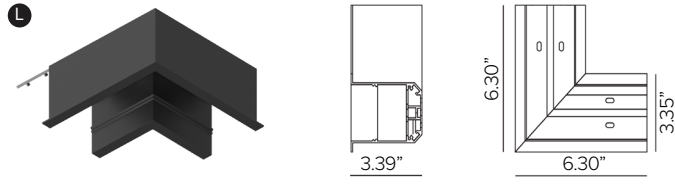


IVY recessed profile structural support cable kit, 1ea. REQUIRED by NEC to secure to main structure of the building, to be used for ceiling drywall or stucco installations only. 2ea kits per 19"L and 39"L profiles, 3ea kits for 78"L profile.

Part No. **1US2T0049**

# IVY RECESSED PROFILE

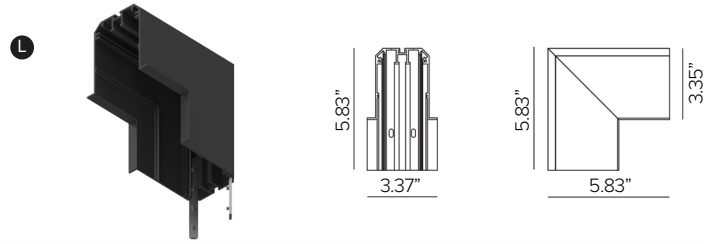
## 4 - JOINT CONNECTOR (OPTIONAL)



IVY recessed profile L-joint connector.

Finish ●

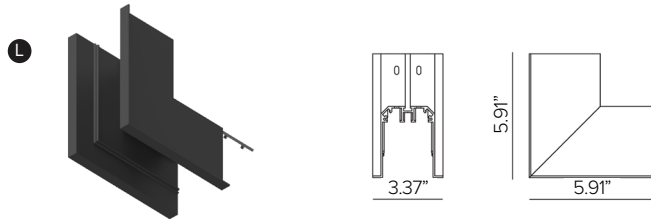
Part No. **1E4259**



IVY recessed profile L-concave joint connector.

Finish ●

Part No. **1E4260**

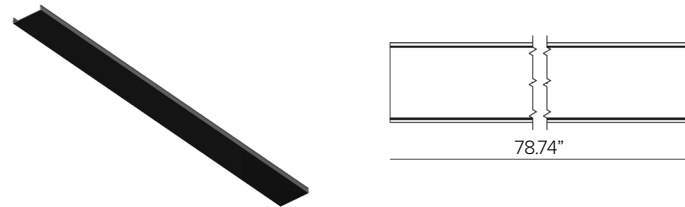


IVY recessed profile L-convex joint connector.

Finish ●

Part No. **1E4261**

## 5 - DECORATIVE COVER (OPTIONAL)



IVY profile decorative cover, field cuttable.

Finish ●

Part No. **1E4170**

● Deep Black Finish