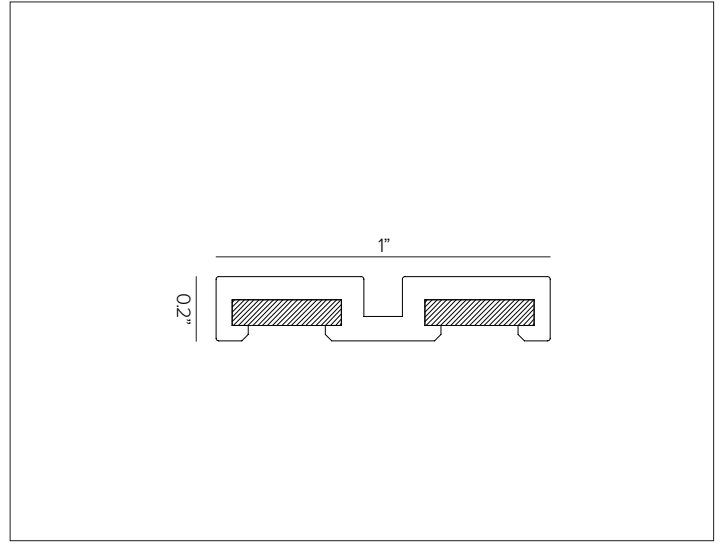
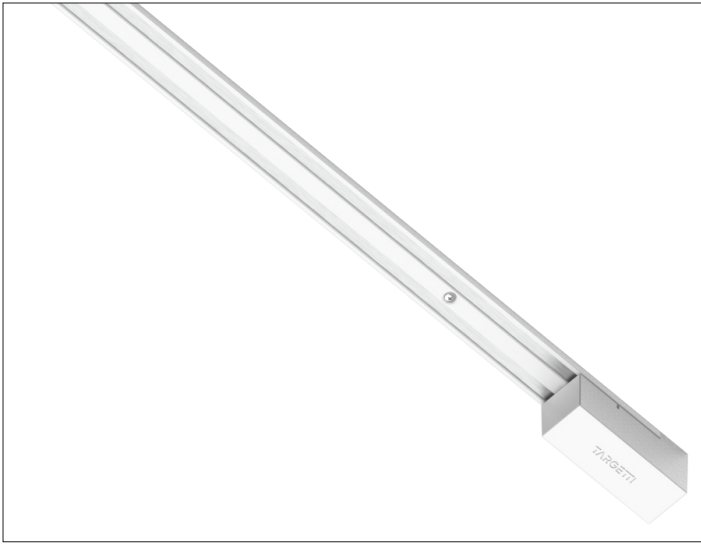


# OZ 48V POWER RAIL

## Magnet Mounted Modular Light System



### CONCEPT

Professional magnet mounted low voltage modular light system allowing for maximum application flexibility with wireless bluetooth control and functionality.

### MECHANICAL CHARACTERISTICS

<b>Dimensions</b>	1"W track.
<b>Materials</b>	Polycarbonate rail with stainless steel conductors that feed electricity to the fixture and provide magnetized attachment support.
<b>Finish</b>	<input type="radio"/> Plaster White <input checked="" type="radio"/> Deep Black
<b>Power Connection</b>	Magnetized electrical non-polarized coupling system. Configurations are achieved through electrical connectors that make it possible to create modular systems.
<b>Functionality</b>	Different mounting configurations are achievable using different electrical connectors that make it possible to build a simple or complex systems.
<b>Mounting</b>	Can be installed directly to surface, wall or ceiling using screws or inserted into optional profile for surface/suspension or recessed installations, profile to be ordered separately. Profile system configurations are achieved through optional joint connectors.
<b>Weight</b>	3.28ft Length: 0.66lbs / 6.56ft Length: 1.30lbs
<b>Protection</b>	IP20

### ELECTRICAL CHARACTERISTICS

<b>Power Supply</b>	Remote power supply options available.
<b>Voltage</b>	48V DC. <b>Max of 30ft of track per individual power supply and/or max of 4 connectors per individual power supply.</b>
<b>Control</b>	0-10V dimmable through remote power / digital dimming interface for group fixture control <u>OR</u> wireless bluetooth control through Casambi app interface for individual fixture and/or optical DBS beam control. Refer to <a href="#">Targetti LMS (Light Management System)</a> for detailed information.

### CERTIFICATIONS

cULus Class 2 Listed E528452  
Compliant with California energy regulations.  
RoHS3 EU 215/863

### WARRANTY

5 year limited warranty.

### SUSTAINABILITY

Luminaire designed for disposal/recycling at end-of-life. Replaceable LED light source and control gear by a Targetti technician.

# OZ 48V POWER RAIL

## SPECIFICATION INFORMATION

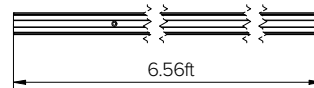
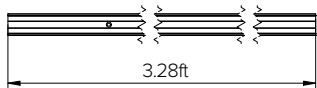


Ex: 1T7431 / 1T7026 / 1T7024 / DELV30148D

1 - POWER RAIL	2 - END CAP	3 - COVER	4 - ELECTRICAL CONNECTOR	5 - END FEED	6 - POWER SUPPLY	7. CONTROLLER	8. MOUNTING	9. PROFILE
<b>REQUIRED</b>	<b>REQUIRED</b>	<b>OPTIONAL</b>	<b>OPTIONAL</b>	<b>REQUIRED</b>	<b>REQUIRED</b>	<b>OPTIONAL</b>	<b>OPTIONAL</b>	<b>OPTIONAL</b> See OZ 48V PROFILE spec sheets for specification information. <a href="#">SURFACE/ SUSPENSION</a> or <a href="#">RECESSED</a> .

### 1 - POWER RAIL (REQUIRED)

Maximum of 30ft of power rail per power supply.



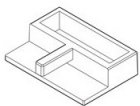
Field cuttable single circuit OZ Power Rail with 2 low voltage conductors. **Max of 30ft of power rail per individual power supply.**

Finish	<input type="radio"/>	<input checked="" type="radio"/>
Part No.	<b>1T7431</b>	<b>1T7434</b>

Field cuttable single circuit OZ Power Rail with 2 low voltage conductors. **Max of 30ft of power rail per individual power supply.**

Finish	<input type="radio"/>	<input checked="" type="radio"/>
Part No.	<b>1T7432</b>	<b>1T7435</b>

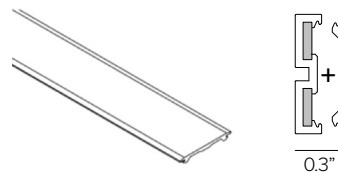
### 2 - END CAP (REQUIRED)



OZ Power Rail end cap kit (2pcs).

Finish	<input type="radio"/>	<input checked="" type="radio"/>
Part No.	<b>1T7026</b>	<b>1T7027</b>

### 3 - COVER (OPTIONAL)



OZ Power Rail cover (5pcs). 3.28ft (1000mm) Length only.

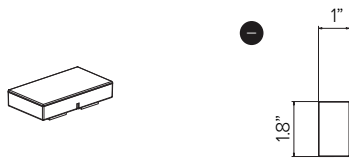
Finish	<input type="radio"/>	<input checked="" type="radio"/>
Part No.	<b>1T7938</b>	<b>1T7941</b>

Plaster White Finish       Deep Black Finish

# OZ 48V POWER RAIL

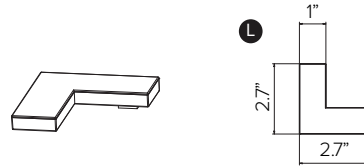
## 4 - ELECTRICAL CONNECTORS (OPTIONAL)

Maximum of 4 connectors per power supply.



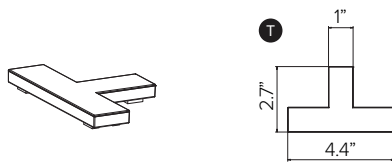
OZ Power Rail electrical linear connector. **Max of 5 connectors per individual power supply.**

Finish    
 Part No. **1T7016** **1T7020**



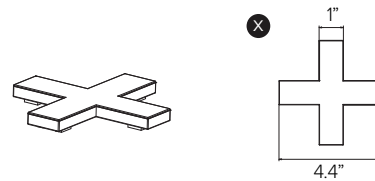
OZ Power Rail electrical L-connector. **Max of 5 connectors per individual power supply.**

Finish    
 Part No. **1T7017** **1T7021**



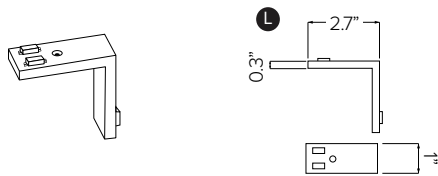
OZ Power Rail electrical T-connector. **Max of 5 connectors per individual power supply.**

Finish    
 Part No. **1T7018** **1T7022**



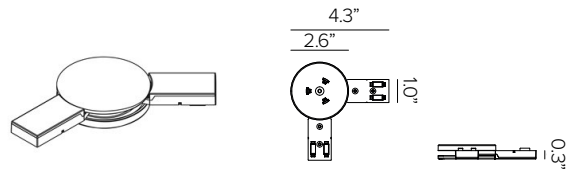
OZ Power Rail electrical X-connector. **Max of 5 connectors per individual power supply.**

Finish    
 Part No. **1T7019** **1T7023**



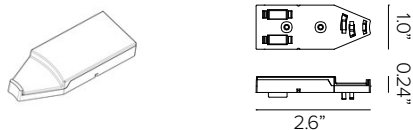
OZ Power Rail electrical orthogonal L-connector for wall to ceiling or wall to wall connections. **Max of 5 connectors per individual power supply.**

Finish    
 Part No. **1T7439** **1T7440**



OZ Power Rail adjustable electrical connector. Using a special accessory element it is possible to connect up to 8 Power Tracks.. **Max of 5 connectors per individual power supply, single piece counts as one connector.**

Finish    
 Part No. **1T9524** **1T9525**



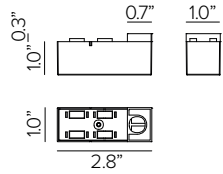
OZ Power Rail adjustable electrical connector joint accessory (1pc). **To be used with adjustable electrical connector only.**

Finish    
 Part No. **1T9579** **1T9580**

Plaster White Finish  Deep Black Finish

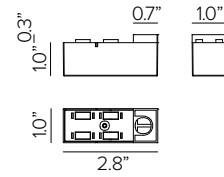
# OZ 48V POWER RAIL

## 5 - END FEED (REQUIRED)



OZ Power Rail digital dimming 0-10V power feed. **Required one per remote power supply.**

Finish	<input type="radio"/>	<input checked="" type="radio"/>
Part No.	<b>1T9526DD</b>	<b>1T9604DD</b>



OZ Power Rail wireless bluetooth Casambi power feed. **Required one per remote power supply minimum.**

Finish	<input type="radio"/>	<input checked="" type="radio"/>
Part No.	<b>1T7024</b>	<b>1T7025</b>

## 6 - POWER SUPPLY (REQUIRED)

ENCLOSURE								
Part No.	Wattage	Control	Dim Range	Rating	In / Out Voltage	Certification	Dimensions (Enclosure)	Description
<b>PS052DD</b>	40W	0-10V ONLY	1%	NEMA3R	120-277V / 48V	UL CLASS 2	6.3" x 10.79" x 2.17"	MEAN WELL HLG ELECTRONIC DRIVER WITH OZ SYSTEM 0-10V INTERFACE.
<b>PS051DD</b>	60W	0-10V ONLY	1%	NEMA3R	120-277V / 48V	UL CLASS 2	6.3" x 10.79" x 2.17"	MEAN WELL HLG ELECTRONIC DRIVER WITH OZ SYSTEM 0-10V INTERFACE.
<b>PS050DD</b>	96W	0-10V ONLY	1%	NEMA3R	120-277V / 48V	UL CLASS 2	6.3" x 10.79" x 2.17"	MEAN WELL HLG ELECTRONIC DRIVER WITH OZ SYSTEM 0-10V INTERFACE.
<b>PS052</b>	40W	VIA WIRELESS CASAMBI ONLY	0%	NEMA3R	120-277V / 48V	UL CLASS 2	6.3" x 10.79" x 2.17"	MEAN WELL HLG ELECTRONIC DRIVER FOR OZ WIRELESS BLUETOOTH CONTROL VIA CASAMBI.
<b>PS051</b>	60W	VIA WIRELESS CASAMBI ONLY	0%	NEMA3R	120-277V / 48V	UL CLASS 2	6.3" x 10.79" x 2.17"	MEAN WELL HLG ELECTRONIC DRIVER FOR OZ WIRELESS BLUETOOTH CONTROL VIA CASAMBI.
<b>PS050</b>	96W	VIA WIRELESS CASAMBI ONLY	0%	NEMA3R	120-277V / 48V	UL CLASS 2	6.3" x 10.79" x 2.17"	MEAN WELL HLG ELECTRONIC DRIVER FOR OZ WIRELESS BLUETOOTH CONTROL VIA CASAMBI.

## 7 - CONTROLLER (OPTIONAL)



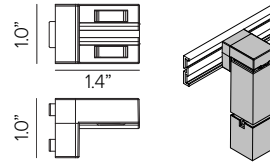
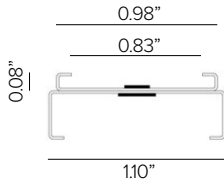
Casambi Xpress remote controller, indoor mounted only. Four programmable presets. CR2430 battery (Included). **For use with Casambi dimming and/or DBS optical control only. DBS fixtures are equipped with Wireless Casambi control as standard. Optional remote control below.**

Finish	<input type="radio"/>	<input checked="" type="radio"/>
Part No.	<b>SWITCH26</b>	<b>SWITCH25</b>

Plaster White Finish       Deep Black Finish

# OZ 48V POWER RAIL

## 8 - MOUNTING (OPTIONAL)



Mounting bracket for T-Bar ceiling installation. Compatible with standard 15/16" T-Bar.

Part No. **1T9523**

OZ 90° offset fixture mounting support bracket. **Compatible with OZ 48V Small fixture range only.**

Finish	<input type="radio"/>	<input type="radio"/>
Part No.	<b>1T9592</b>	<b>1T9593</b>

Plaster White Finish       Deep Black Finish

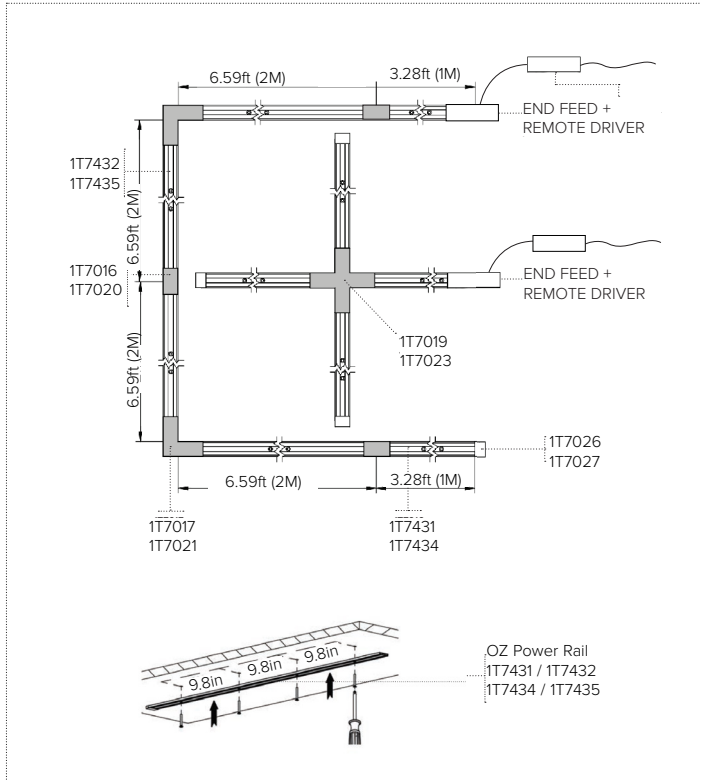
# OZ 48V POWER RAIL

## INSTALLATION DIAGRAMS

**NOTE: Max of 4 connectors (excluding power feed) or 30ft of power rail per individual power supply.**

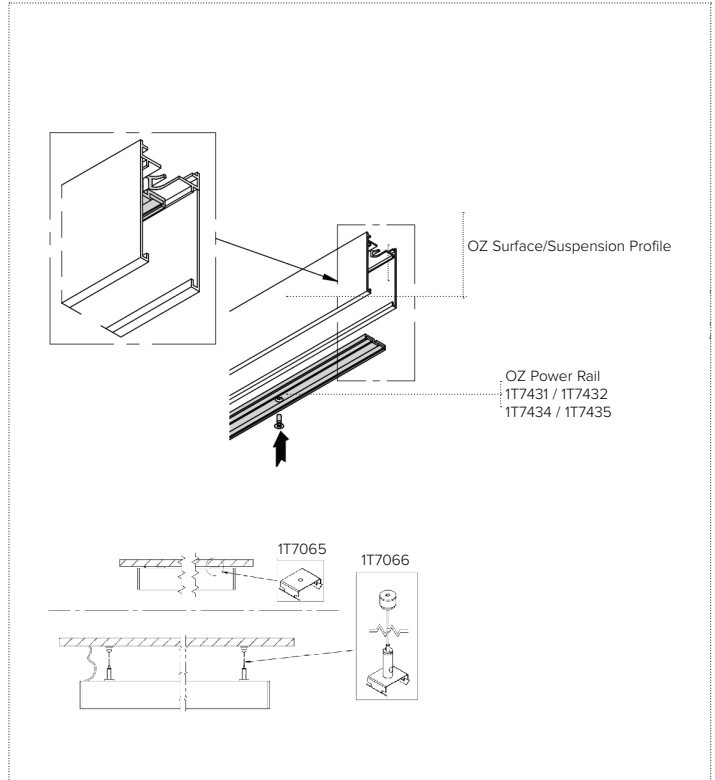
### **SURFACE INSTALLATION**

*OZ Power Rail*



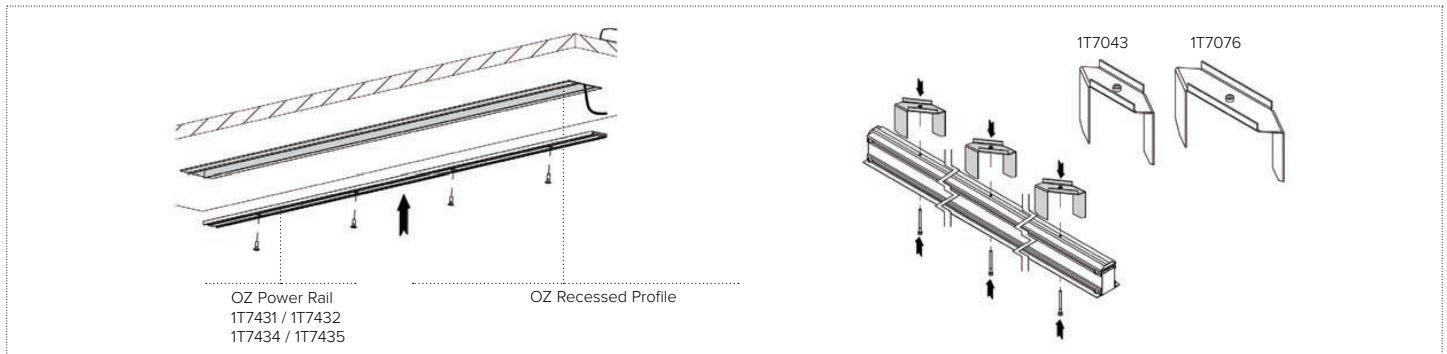
### **CEILING OR SUSPENSION INSTALLATION**

*OZ Power Rail + Optional OZ Surface / Suspended Profile*



### **RECESSED INSTALLATION**

*OZ Power Rail + Optional OZ Recessed Profile*



# OZ 48V POWER RAIL

## CONTROL SYSTEM

Controlling light has never been easier. Targetti [LMS \(Light Management System\)](#) with Control by Casambi was created to make it possible to control light via Bluetooth Low Energy without the use of any special cables, ensuring system operational readiness. This wireless technology is compatible with all modern smart devices: smartphones, tablets and even smartwatches. Targetti fixtures are equipped with a special interface that allows them to communicate with each other to create a remotely controllable "smart" network.

The advantages are boundless. The possibility for users to interact with lighting – varying intensity, tone and shape in complete freedom and autonomy according to their needs. The design approach known as Human Centric Lighting that places people at the center of lighting projects.

Flexible and easy to use, suitable for managing all types of simple to more complex systems, LMS is a future-oriented system that can be constantly updated because it can be used with a simple application that can be downloaded onto a mobile device to manage the entire system in wireless mode.

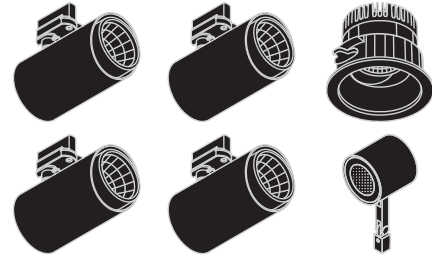
## INSTALLATION SEQUENCE

1

Choose Targetti fixtures by opting for the Targetti Casambi Ready package or Casambi accessory components



Single



Groups

2

Download the Casambi iOS or Android App depending on the device used

Unit control

3

Launch the App: the fixtures in operation will be detected automatically

4

Create one or two networks depending on the characteristics of the environment

5

Create groups of devices as needed

6

Program scenes and/or sequences.

7

Set the level of network sharing

