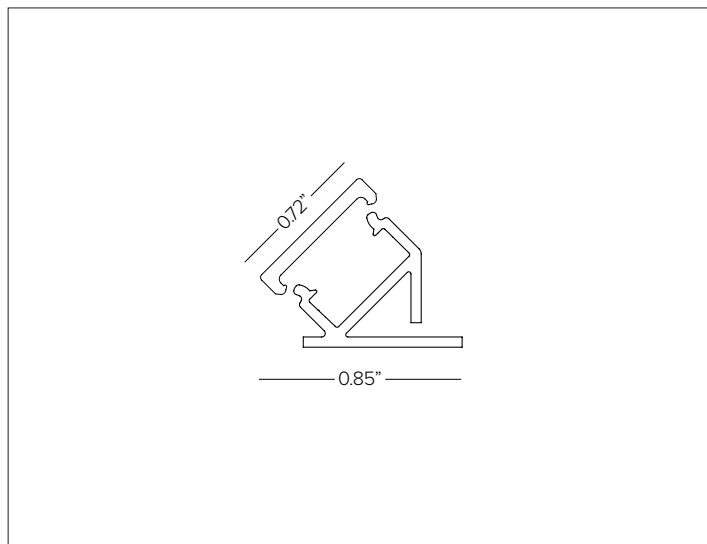


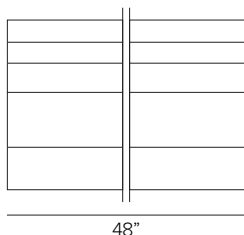
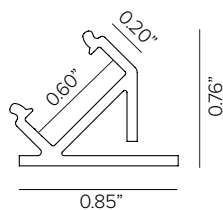
# DLC45MCH4 PROFILE

## Two-Piece 45° PVC Tube



Shown with DLC45MCH-4 profile and DLC45CVR-4.

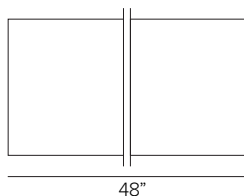
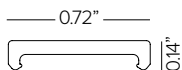
### BASE



Two-piece 45° PVC mounting tube; white opaque base with cover (clear or frosted).  
Countersink screw holes, 12" O.C.

Part No. **DLC45MCH-4**

### COVER



<i>Description</i>	Two-piece 45° PVC mounting tube, cover (clear or frosted). <b>(OPTIONAL)</b>			
<i>Cover Diffusion</i>	Clear Cover	10% Frosted	30% Frosted	60% Frosted
<i>Part No.</i>	<b>DLC45CVR-4</b>	<b>DLC45CVR-4-F10</b>	<b>DLC45CVR-4-F30</b>	<b>DLC45CVR-4-F60</b>