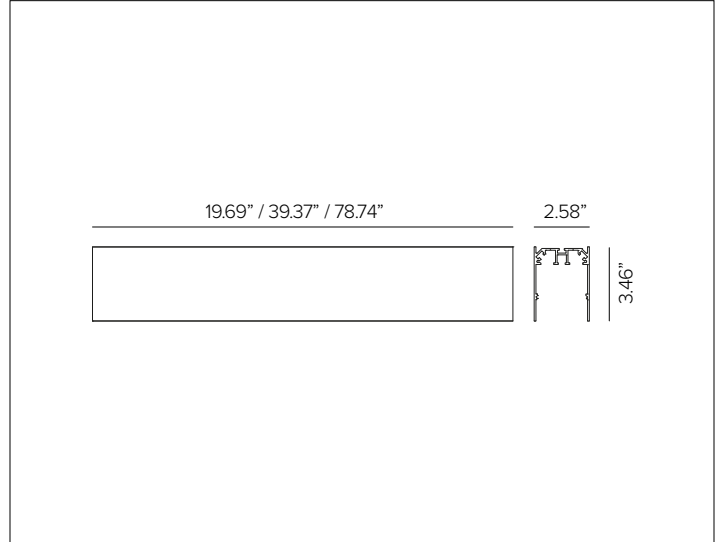
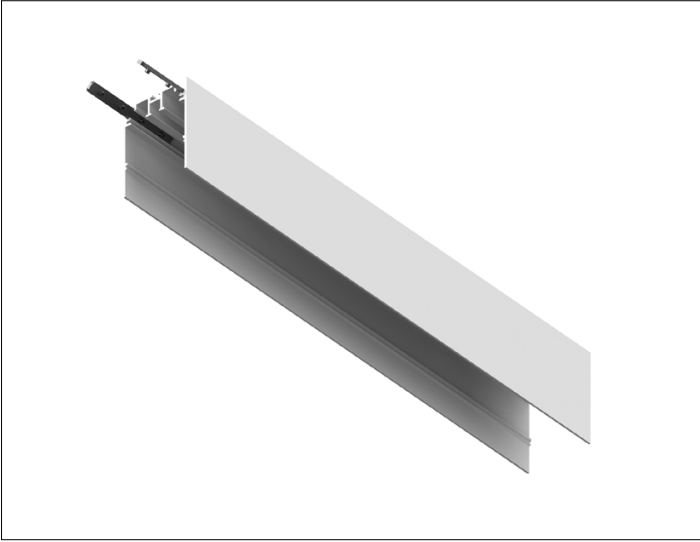


IVY SURFACE/SUSPENSION PROFILE

Surface/Suspension Profile for IVY Lighting System



CONCEPT

Professional surface ceiling/wall or suspension mounted low voltage modular light system allowing for maximum application flexibility.
Designed in collaboration with Stefano Boeri Interiors as product design consultant.

MECHANICAL CHARACTERISTICS

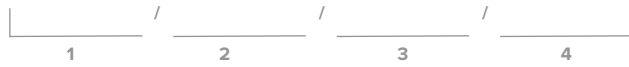
Dimensions	2.58"W x 3.46"H
Materials	Extruded aluminum surface/suspension profile protected with a layer of black anodization, minimum thickness of 15μ.
Finish	<input type="radio"/> Plaster White <input checked="" type="radio"/> Deep Black <input checked="" type="radio"/> Ferrite Dark Grey
Functionality	Different mounting configurations are achievable using joint connectors that make it possible to build a simple or complex systems. To be completed with IVY series lighting modules.
Mounting	Surface/suspension mounted profile for use in indoor/outdoor installations. Profile system configurations are achieved through joint connectors.
Weight	19.69" L: 2.05 lbs / 39.37" L: 4.10 lbs / 78.74" L: 8.20 lbs

WARRANTY

5 year limited warranty.

IVY SURFACE/SUSPENSION PROFILE

SPECIFICATION INFORMATION

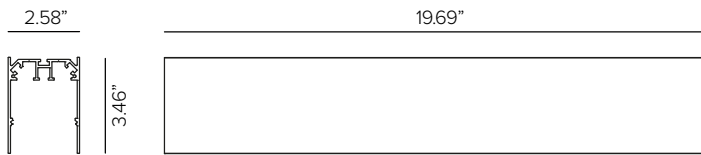


Ex: 1E4228 / 1E4234

1 - PROFILE	2 - END CAP	3 - SUSPENSION CABLE	4 - JOINT CONNECTOR	5 - DECORATIVE COVER
REQUIRED	REQUIRED	OPTIONAL	OPTIONAL	OPTIONAL

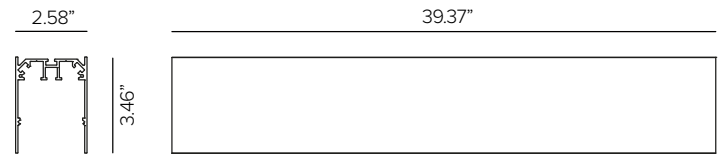
Plaster White Finish
 Deep Black Finish
 Ferrite Dark Grey Finish

1 - PROFILE (REQUIRED)



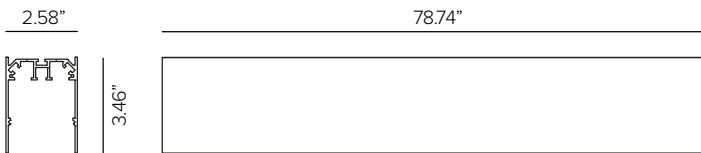
IVY surface/suspension mounted aluminum profile.

Finish
 Part No. **1E4228** **1E4151** **1E4155**



IVY surface/suspension mounted aluminum profile.

Finish
 Part No. **1E4229** **1E4152** **1E4156**



IVY surface/suspension mounted aluminum profile.

Finish
 Part No. **1E4230** **1E4153** **1E4157**

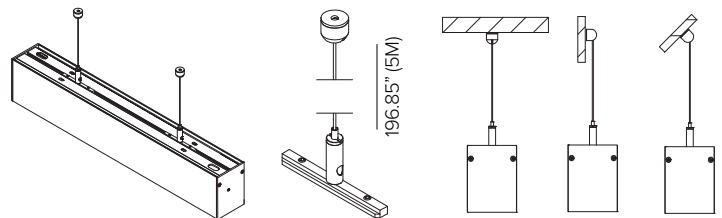
2 - END CAP (REQUIRED)



IVY surface mount profile end cap kit, 2pcs.

Finish
 Part No. **1E4234** **1E4167** **1E4168**

3 - SUSPENSION CABLE (OPTIONAL)

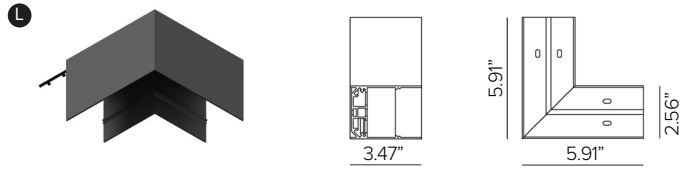


IVY suspension cable kit, 1ea. REQUIRED 2ea kits per 19"L and 39"L profiles, 3ea kits for 78"L profile.

Part No. **1US2T0049**

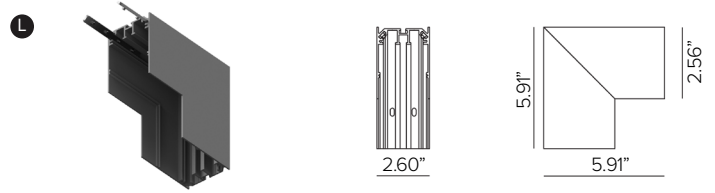
IVY SURFACE/SUSPENSION PROFILE

4 - JOINT CONNECTOR (OPTIONAL)



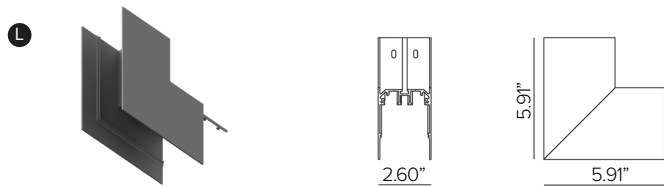
IVY surface profile L-joint connector.

Finish	<input type="radio"/>	<input checked="" type="radio"/>	<input checked="" type="radio"/>
Part No.	1E4236	1E4172	1E4176



IVY surface profile L-concave joint connector.

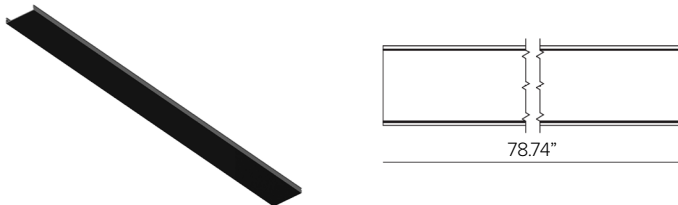
Finish	<input type="radio"/>	<input checked="" type="radio"/>	<input checked="" type="radio"/>
Part No.	1E4237	1E4173	1E4177



IVY surface profile L-convex joint connector.

Finish	<input type="radio"/>	<input checked="" type="radio"/>	<input checked="" type="radio"/>
Part No.	1E4238	1E4174	1E4178

5 - DECORATIVE COVER (OPTIONAL)



IVY profile decorative cover, field cuttable.

Finish	<input checked="" type="radio"/>
Part No.	1E4170

Plaster White Finish Deep Black Finish Ferrite Dark Grey Finish