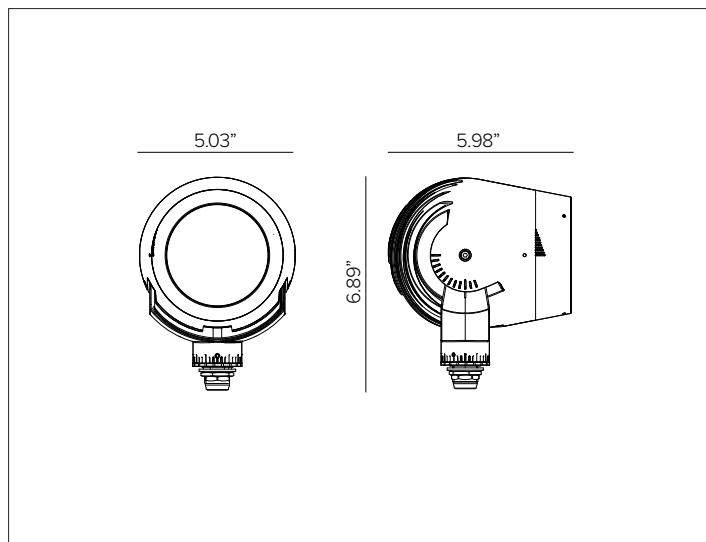


VADER

All-in-One Extremely Adjustable Flood Light Projector



VADER shown in Ferrite Dark Grey finish.



CONCEPT

VADER is an All-in-One adjustable flood light projector that offers the extreme flexibility in both optic and mounting configuration.

MECHANICAL CHARACTERISTICS

Housing	5.03"W x 5.98"D x 6.89"H
Materials	Painted Anodized Die-Cast Aluminum body and mounting bracket. Extra-clear sealed tempered glass. Marine Grade cataphoresis ^A available as optional.
Finish	Textured finish. <ul style="list-style-type: none"> ● Ferrite Dark Grey ● Heritage Brown ● Bronze ● Black ● White ● Sandstone Grey
Power Connection	Pre-cabled with IP68 Connectors for plug-and-play connection to remote power supply and in series other light modules.
Functionality	Each module has a mechanical locking to provide specific aiming. Fixtures are adjustable up from -20° to +90° on the vertical surface with aim lock set screw with and a free rotation of 355° with degree indicators every 15°. Different Optical accessories specifically designed to control the beam and manage effects.
Mounting	Fixture can be installed directly to mounting surface or used with optional mounting installation accessories.
Weight	7.7 lbs
Protection	IP66
Impact	IK08

CERTIFICATIONS

cULus Wet Location Listed.
 Tested in accordance with LM-79-08.
 Compliant for California installations.
 RoHS3 EU 215/863

WARRANTY

5 year limited warranty.
^A Fixture body complete with marine grade cataphoresis suitable for use in marine grade environments. Stainless steel trim will need to be maintained and cleaned regularly to avoid mineral deposits. Not to be in direct contact with salt or corrosive agents for extended periods of time.

ELECTRICAL CHARACTERISTICS

Power Supply	Remote Class 2 120V-277V AC power supply required.
Wattage	14W
Voltage	48V DC
Control	Remote Three-in-One Smart Control Pod. 0-10V 1% Dim DMX / DALI 0% Dim

SOURCE

High-Efficiency LED COB.

TM30	CCT (Nominal)	CRI	SDCM
	TW 1800K – 4000K	90	1

OPTIC

The ZOOM optic is adjustable by hand without opening the product from SP to MWFL with degree indicators every 2°.

Beam	ZOOM	Delivered Lumens
	22° – 4f	
		1800K 656Lm – 650Lm
		2900K 914Lm – 909Lm
		4000K 1114Lm – 1065Lm
Efficacy	80Lm/W max. Refer to photometric graphs for specific values.	
Lifetime	L89/B10 30,000hrs / L85/B10 50,000hrs / L78/B10 80,000hrs / L74/B10 100,000hrs at max TA +25°C	
Photobiological Classification	Low risk safety RG1	

SUSTAINABILITY

Luminaire designed for disposal/recycling at end-of-life. Replaceable LED light source and control gear by a Targetti technician.

VADER

SPECIFICATION INFORMATION



1 - PRODUCT CODE	2 - FINISH	3 - CONTROL	4 - POWER SUPPLY
VADER — VADER Floodlight Projector with Zoom Optic and Tunable White Capability	FE — Ferrite Dark Grey HB — Heritage Brown BZ — Bronze WT — White BT — Black SG — Sandstone Grey RAL — Custom RAL	Control Pod <i>See section for details</i>	Power Supply <i>See section for details</i>
5 - OPTICAL ACCESSORIES	6 - INSTALLATION ACCESSORIES		
Blade of Light Linear Spread Lens <i>See section for details</i> Asymmetric Snoot <i>See section for details</i> Super Snoot <i>See section for details</i> Asymmetric Snoot <i>See section for details</i>	Surface Hexagonal Base <i>See section for details</i> Blank Hexagonal Base <i>See section for details</i> Surface Base <i>See section for details</i> Surface Plate <i>See section for details</i> Surface Bracket <i>See section for details</i> Surface Canopy <i>See section for details</i> Double Surface Base <i>See section for details</i> Triple Surface Base <i>See section for details</i> Arm Mount <i>See section for details</i>		
	Ground Post <i>See section for details</i> Earth Spike <i>See section for details</i> Pole Bracket <i>See section for details</i> Tree Strap <i>See section for details</i> Tree Bracket <i>See section for details</i> Tree Strap Connection Box <i>See section for details</i> Mesh Wire Protection <i>See section for details</i>		

KEY FEATURES

ZOOM

22° to 4° with degree indicators every 2° and a fix locking screw.



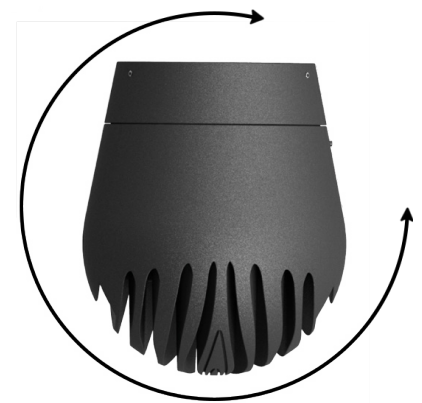
TILT

Tilt Rotation on the vertical axis from -20° to +90° with aim lock set screw.



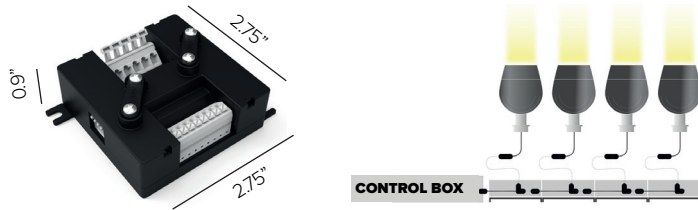
ROTATION

The luminaire can be easily rotated 355° in the horizontal plane with degree indicators every 15°.



VADER

3 – CONTROL (REQUIRED)



Control pod. Three-In-One Smart control system (0-10V / DALI / DMX). Can be mounted inside installation accessories or 4"x4" Junction Box, etc.

Each Control Pod:

0-10V 1ea two channel control zone for up to 30 fixtures.

DALI up to 64ea independently controlled fixtures.

DMX two channel control up to 64ea.

Part No. **A035**

4 - POWER SUPPLY (REQUIRED)

ENCLOSURE

Part No.	Wattage	Control	Dim Range	Rating	In / Out Voltage	Certification	Dimensions (Enclosure)	Description
PS052	40W	0-10V / DALI / DMX via control pod	1% 0-10V / 0% DALI / DMX	NEMA3R	120-277V / 48V	UL CLASS 2	6.3" x 10.79" x 2.17"	MEAN WELL HLG ELECTRONIC DRIVER.
PS051	60W	0-10V / DALI / DMX via control pod	1% 0-10V / 0% DALI / DMX	NEMA3R	120-277V / 48V	UL CLASS 2	6.3" x 10.79" x 2.17"	MEAN WELL HLG ELECTRONIC DRIVER.
PS050	96W	0-10V / DALI / DMX via control pod	1% 0-10V / 0% DALI / DMX	NEMA3R	120-277V / 48V	UL CLASS 2	6.3" x 10.79" x 2.17"	MEAN WELL HLG ELECTRONIC DRIVER.

*NON-DIMMABLE, DIMMING ACHIEVED FROM DIRECT CONTROL POD NOT THROUGH DRIVER.

MAX FIXTURES PER DRIVER

Fixture Wattage	Driver Wattage				
	40W	60W	96W	2X96W	3X96W
14W	2	3	6	6+6	6+6+6

VADER

5 – OPTICAL ACCESSORIES (OPTIONAL)

MAXIMUM OF ONE ACCESSORY PER FIXTURE.



VADER 'Blade of Light' linear spread lens.

Part No. **A039** (*)



VADER super snoot. Powder coated stainless steel. To be used to create a narrow spot beam distribution.

Part No. **A038** (*)



VADER symmetric snoot. Powder coated stainless steel.

Part No. **A036** (*)



VADER asymmetric snoot. Powder coated stainless steel.

Part No. **A037** (*)

6 – INSTALLATION ACCESSORIES (OPTIONAL)

MAXIMUM OF ONE ACCESSORY PER FIXTURE



VADER surface hexagonal mounting base for plug-n-play control and mounting. Designed for cluster or pattern installations on surfaces. Allows multiple fixtures to connect while hiding connections and cables.

Part No. **A042** (*)



VADER blank surface hexagonal base cover. To be used in addition to A042 to continue clusters or patterns on surfaces.

Part No. **A043** (*)



Surface mount base, powder coated stainless steel. For surface wiring applications.

Part No. **A040** (*)



Round surface mount plate, powder coated stainless steel. For surface wiring applications. To be used in addition to A040.

Part No. **A041** (*)

- Ferrite Dark Grey (Default)
- Heritage Brown (HB)*
- Bronze (BZ)*
- White (WT)*
- Black (BT)*
- Sandstone Grey (SG)*

*Add suffix to end of number to identify finish (EX. A042HB)

VADER

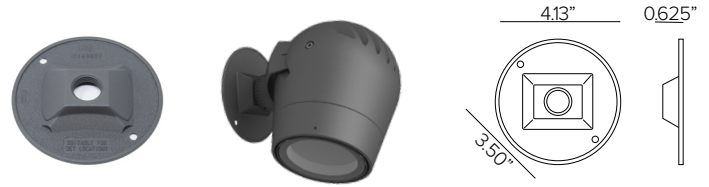
6 – INSTALLATION ACCESSORIES (OPTIONAL)

MAXIMUM OF ONE ACCESSORY PER FIXTURE



Surface mounting bracket. Powder coated stainless steel.

Part No. **A044** (*)



Low Profile surface canopy. Powder coated aluminum with 1/2" NPT to mount over standard 4" Dia. round outdoor j-box.

Part No. **1BLTSMCVR** (*)



Double surface base. Powder coated stainless steel.

Part No. **A045** (*)



Triple surface base. Powder coated stainless steel.

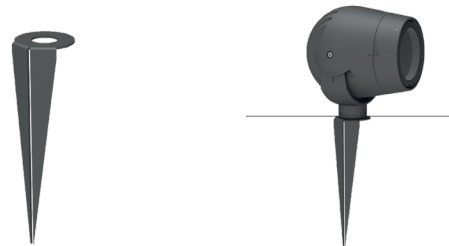
Part No. **A046** (*)



Ground anchor post with stabilizer. Powder coated stainless steel.

Length 9"L 33"L

Part No. **1USA050** (*) **1USA051** (*)



Ground spike for landscape installation. Powder coated stainless steel.

Part No. **1E3785** (*)



Surface peg bracket. Powder coated stainless steel.

Length 9"L 33"L

Part No. **A047** (*) **A048** (*)

- Ferrite Dark Grey (Default)
- Heritage Brown (HB)*
- Bronze (BZ)*
- White (WT)*
- Black (BT)*
- Sandstone Grey (SG)*

*Add suffix to end of number to identify finish (EX. A045HB)

VADER

6 – POLE MOUNT INSTALLATION (OPTIONAL)



Mounting bracket for event pole for up to 4ea fixtures. Event pole sold separately. Powder coated stainless steel.

Part No. **1USP02BKTFEQ (*)**

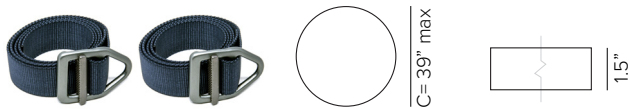


Pole bracket, 1ea. 2.5" Dia. pole provided by others. 3.6" Dia. pole compatible with Targetti event pole. Powder coated stainless steel.

Pole Dia. 2.5" Dia (60mm) 3.6" Dia (90mm)

Part No. **A052 (*)** **A054 (*)**

6 – TREE MOUNTING INSTALLATION (OPTIONAL)



Durable 1.5 inch wide Nylon webbing Strap is flexible with High Strength Aircraft Aluminum V-ring Buckle in Gunmetal finish and lock in loop to prevent slipping. **Strap is made to coordinate with up to 3 fixtures and 1 wiring connection boxes. Strap fits trees 39" max circumference or smaller. (REQUIRED)**

Finish ● Ferrite Dark Grey ● Bronze ● Graphite Grey

Part No. **TTS0106** **TTS0104** **TTS0105**



Fixture bracket comprised of powder coated stainless steel for use with tree strap. **Maximum of 3 brackets can be per double strap. (REQUIRED)**

Part No. **A049**



Tree Strap Connection Box. Painted aluminum UL listed 9in³ j-box with 3ea 3/8" cable glands and 1ea 1/2" cable gland. Mounting bracket for tree strap included. Used to connect multiple 24V DC low voltage cables for one continuous cable connection down the tree to remote driver, additional cable provided by others. **Can be used for up to 3 fixture connections per tree strap. (OPTIONAL)**

Finish ● Ferrite Dark Grey ● Bronze

Part No. **TTCB0103FG** **TTB0103BZ**

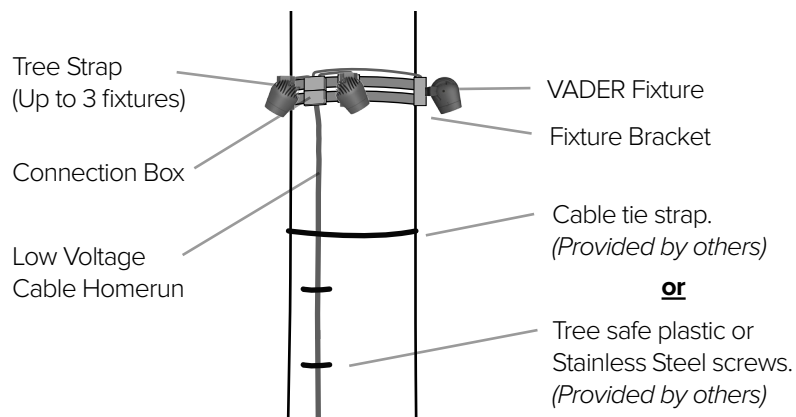


Mesh wire protection cover sleeve comprised of braided polyethylene terephthalate (PET) monofilament webbing resistant to chemical degradation, UV radiation and abrasion. 3/8" SJO Cord Sleeve, available per foot. **(OPTIONAL)**

Finish ● Carbon Grey ● Brown ● Forest Green

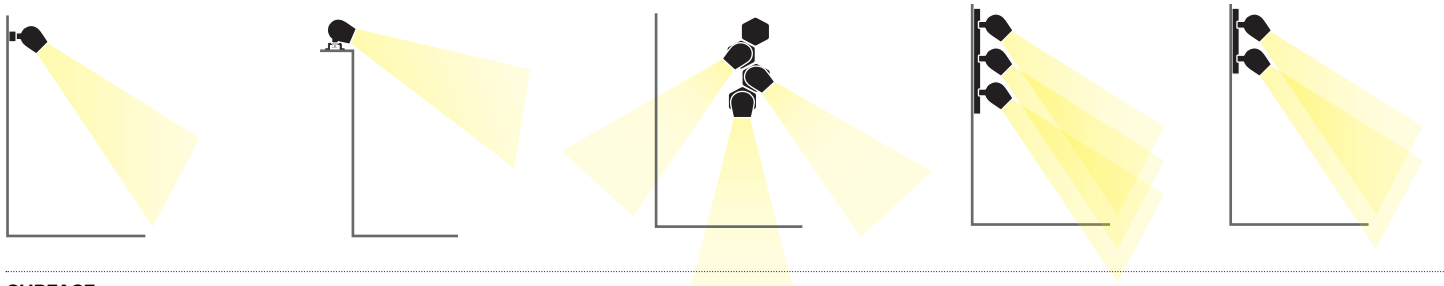
Part No. **TTSJS01** **TTSJS02** **TTSJS03**

TREE STRAP INSTALLATION

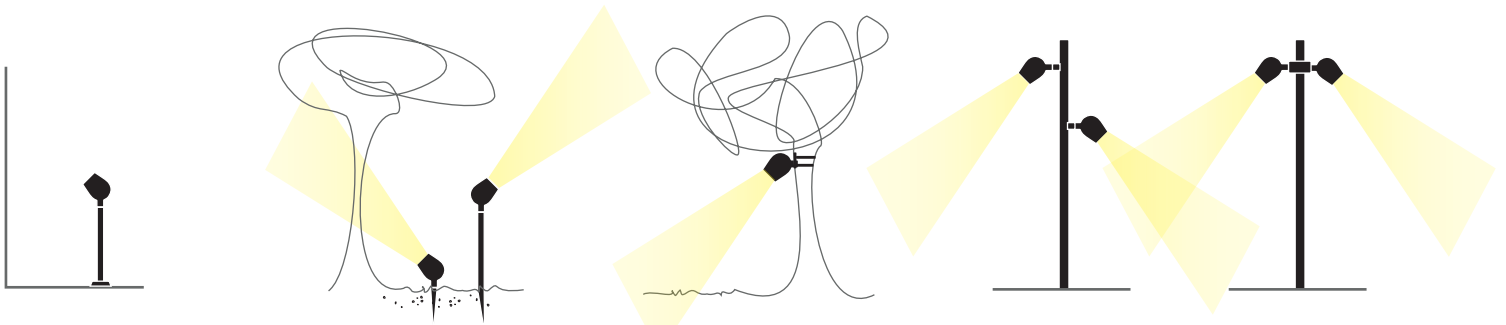


VADER

INSTALLATION EXAMPLES



SURFACE



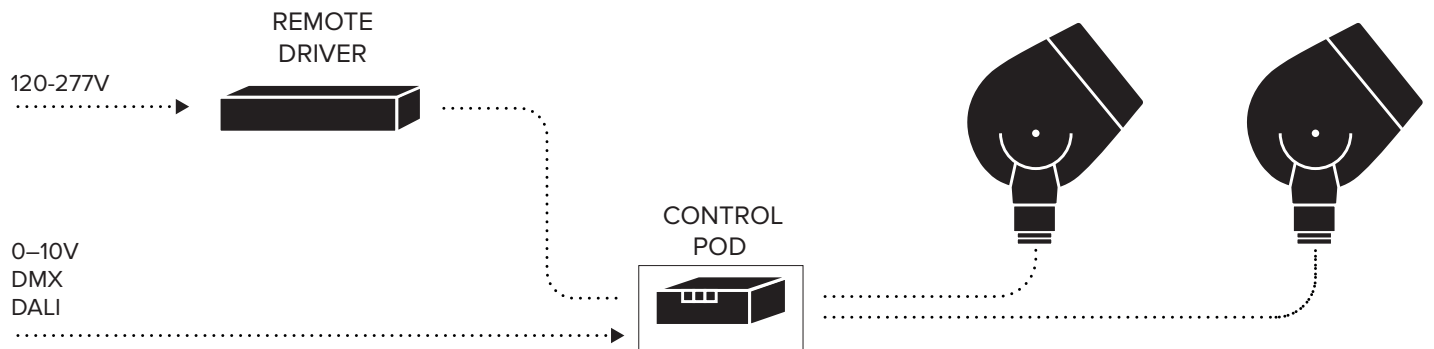
FLOOR

LANDSCAPE

TREE

POLE

INSTALLATION DIAGRAM



Can be mounted inside installation accessories or 4"x4" Junction Box, etc.

0-10V 1ea two channel control zone for up to 30 fixtures.
 DALI up to 64ea independently controlled fixtures.
 DMX two channel control up to 64ea.

VADER

PHOTOMETRY

ZOOM 22°

		1800K	H(m)	D(m)	Emax(lx)	
		Ra90		22°		
Fixture Power	14W	1	0.39	3038		
Source Flux	1032lm	2	0.78	760		
Fixture Flux	656lm	3	1.18	338		
Efficacy	48lm/W	4	1.57	190		
A7865	I _{max} =2946cd/klm	I _{max}	3038cd	5	1.96	122

		2900K	H(m)	D(m)	Emax(lx)	
		Ra90		22°		
Fixture Power	13W	1	0.39	4237		
Source Flux	1427lm	2	0.78	1059		
Fixture Flux	914lm	3	1.18	471		
Efficacy	70lm/W	4	1.57	265		
A7866	I _{max} =2970cd/klm	I _{max}	4237cd	5	1.96	169

		4000K	H(m)	D(m)	Emax(lx)	
		Ra90		22°		
Fixture Power	14W	1	0.39	4991		
Source Flux	1675lm	2	0.78	1248		
Fixture Flux	1077lm	3	1.18	555		
Efficacy	78lm/W	4	1.57	312		
A7864	I _{max} =2980cd/klm	I _{max}	4991cd	5	1.96	200

ZOOM 42°

		1800K	H(m)	D(m)	Emax(lx)	
		Ra90		41°		
Fixture Power	14W	1	0.74	1176		
Source Flux	1032lm	2	1.49	294		
Fixture Flux	650lm	3	2.23	131		
Efficacy	48lm/W	4	2.97	73		
A7868	I _{max} =1140cd/klm	I _{max}	1176cd	5	3.72	47

		2900K	H(m)	D(m)	Emax(lx)	
		Ra90		41°		
Fixture Power	13W	1	0.74	1644		
Source Flux	1427lm	2	1.49	411		
Fixture Flux	909lm	3	2.23	183		
Efficacy	69lm/W	4	2.97	103		
A7869	I _{max} =1153cd/klm	I _{max}	1644cd	5	3.72	66

		4000K	H(m)	D(m)	Emax(lx)	
		Ra90		41°		
Fixture Power	14W	1	0.74	1928		
Source Flux	1675lm	2	1.49	482		
Fixture Flux	1065lm	3	2.23	214		
Efficacy	77lm/W	4	2.97	120		
A7867	I _{max} =1151cd/klm	I _{max}	1928cd	5	3.72	77