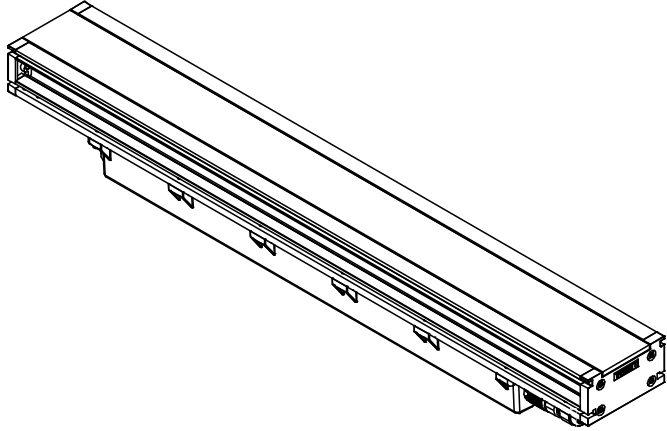




JEDI PROJECTOR

JEP-(WW), (WG), (FL), (SP)

JEDI PROJECTOR - (WALL WASH),
(WALL GRAZER), (FLOOD), (SPOT)



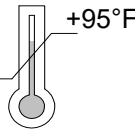
120-277 VAC



IK08



-13°F



If in doubt about the symbols, please refer to catalog or website.

WARNING

To ensure a maximum efficient use of the product, read the instructions before proceeding with installation.



This fixture must be installed by a licensed and qualified electrician. The installer must comply with NEC and local building codes when installing the fixture.



Electrical current can cause painful shock, serious injury, or even death. Make sure you turn off the power supply, ground fixture(s), and make sure all electrical connections are correct and secured.

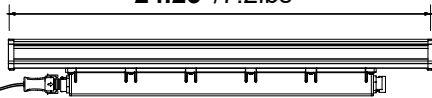


For use in IP67 installations.

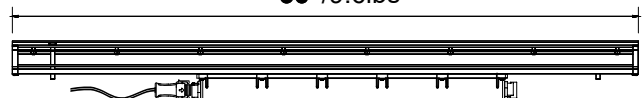


Keep the label of the original packaging if any eventual future claims are needed.

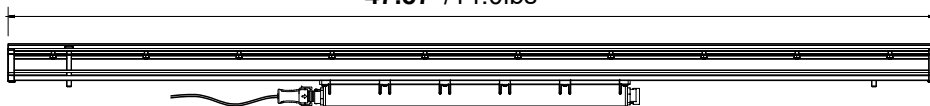
24.25"/7.2lbs



36"/9.6lbs



47.87"/14.0lbs



3.19"

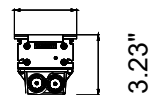


Table of Contents

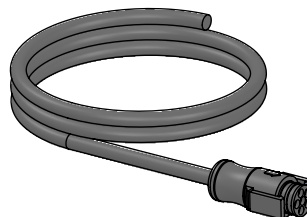
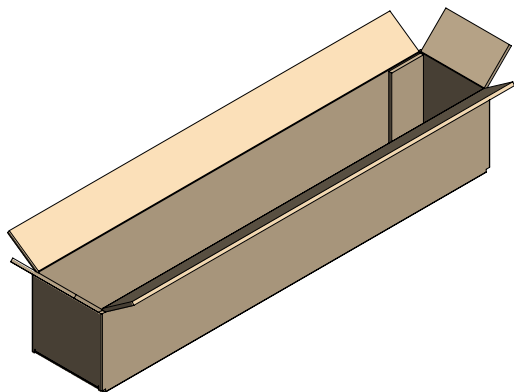
Packaging Contents	Pg.2
JEDI Projector Cabling Types	Pg.3
Required Mounting Sold Separately	Pg.4
Mounting Installation	Pg.5-10
Optional Lead & Jumper Cable Sets	Pg.11
Fixture Installation	Pg.12
Electrical Roughin	Pg.13
Optional Side Cove	Pg.14-18
Maintenance / Support	

Packaging Contents

24" Fixture in 26"x6"x5" Box @7.2lbs

36" Fixture in 38"x6"x5" Box @9.6lbs

48" Fixture in 50"x6"x5" Box @14lbs



LEAD AND SOLO FIXTURE INCLUDE
1ea. 10ft POWER / DIMMING CABLE

Conductor Callout

IP68 DSM&T anti-wicking quick disconnect

Black = line voltage

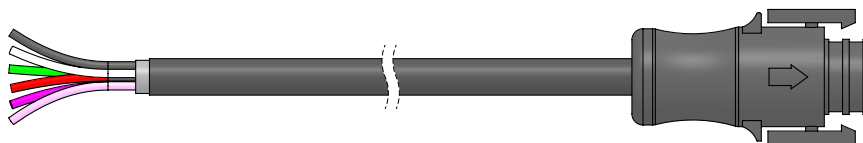
White = neutral

Green = ground

Red = Do Not Use

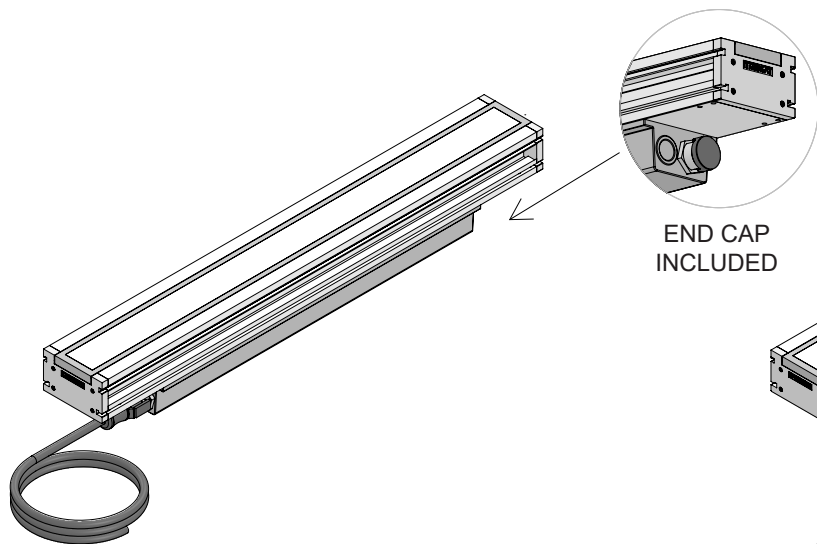
Purple = positive 0-10V

Pink = negative 0-10V 600V rated.

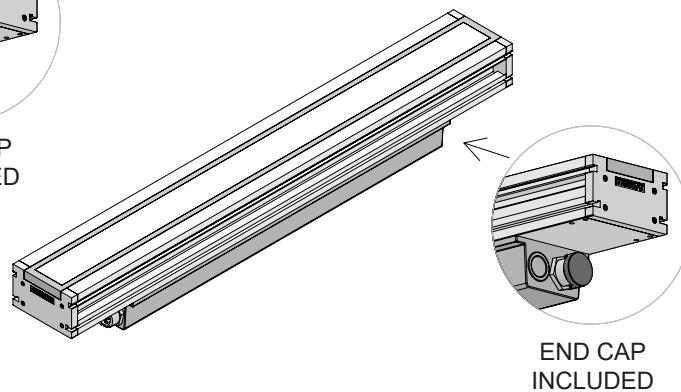


**LEAD / SOLO FIXTURE WITH INPUT /
OUTPUT CONNECTOR AND 10ft
POWER / DIMMING CABLE**

**CENTER/ END FIXTURE WITH INPUT /
OUTPUT CONNECTOR**

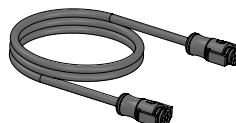


END CAP
INCLUDED



END CAP
INCLUDED

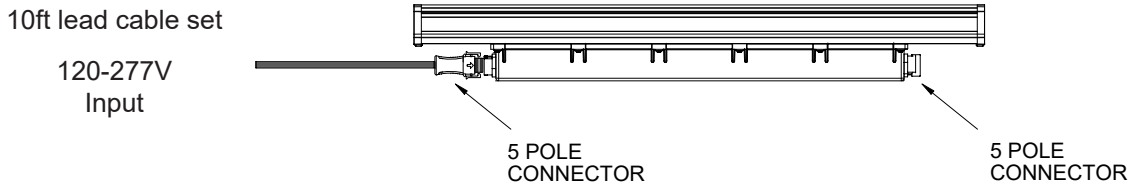
10ft LEAD CABLE



INCLUDE 32" JUMPER FOR
CENTER AND END FIXTURE

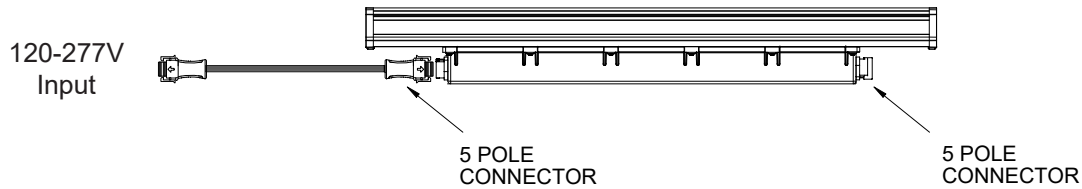
JEDI PROJECTOR Cabling Types

Fixture code: L Lead Fixture Cabling



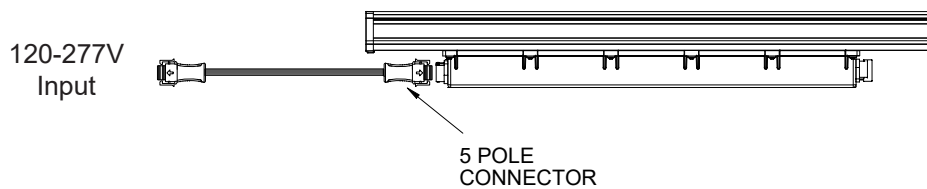
Lead - 10ft EPDM JACKET 16-6 lead cable with DSM&T connector included.

Fixture code: C Center Fixture Cabling



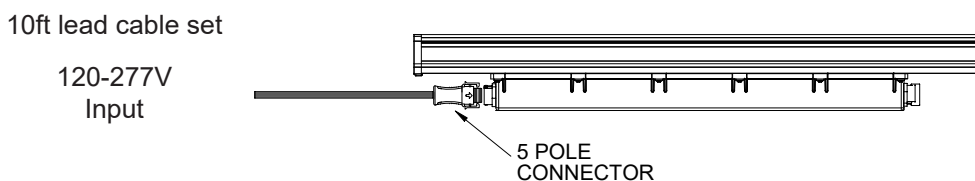
Center- 32" EPDM JACKET 16-6 jumper cable with DSM&T connectors.

Fixture code: E End Fixture Cabling



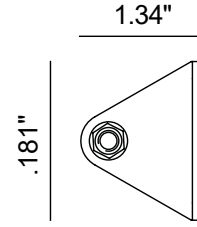
End - 32" EPDM JACKET jumper cable with DSM&T connectors and additional DSM&T cap for dead end.

Fixture code: S Solo Fixture Cabling



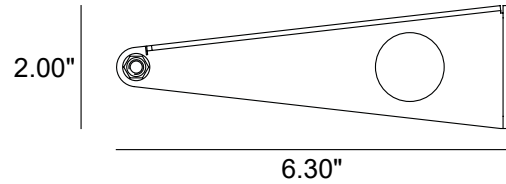
Solo - 10ft EPDM JACKET 16-6 lead cable with DSM&T connector and additional DSM&T cap for dead end.

Required Mounting Sold Separately



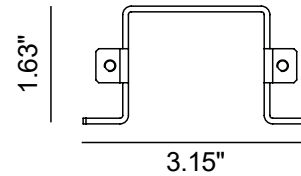
JEDI short stainless steel surface mounting bracket, set of two.

Part No. **1E2752**



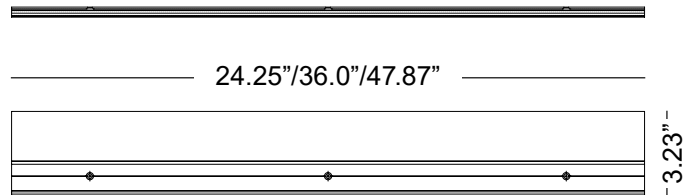
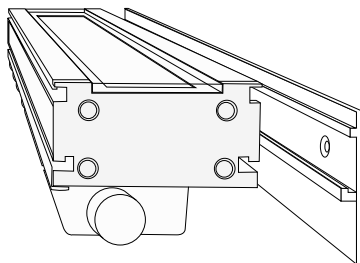
JEDI long stainless steel surface mounting bracket, 2ea.

Part No.



JEDI surface mounting bracket, 2ea.

Part No. **1E2754**



1E2753

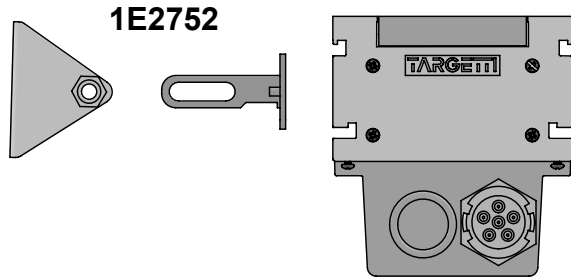
JEDI flush mount bracket with countersink screw holes for attachment.

Length	24.25"	36.00"	47.87"
Part No.	1DU2755	1DU2756	1DU2757

Mounting Installation Cont.

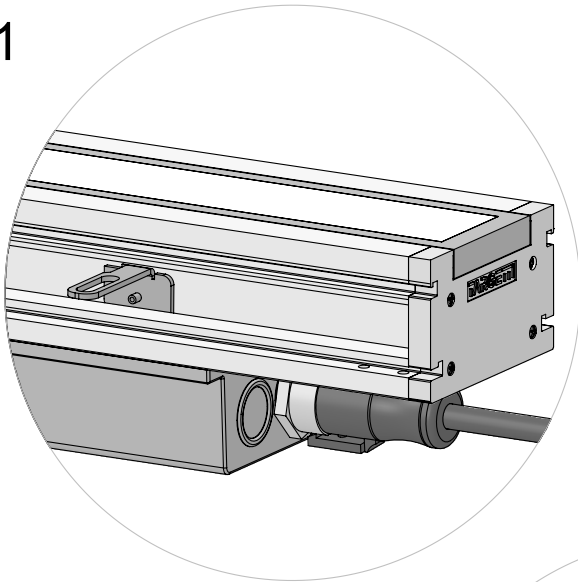
WITH STAINLESS STEEL SURFACE MOUNTING BRACKET - 1E2752 AND 1E2753

- Remove the bolt that connects the mounting bracket to the pivot bracket and separate the two pieces to begin the mounting process
 - Be sure to check the pivot bracket to make sure that the groove to lock into the fixture is at the bottom to ensure the correct orientation of installation. **Failure of no pre-visual inspection may lead to damage of the pivot bracket when installing**

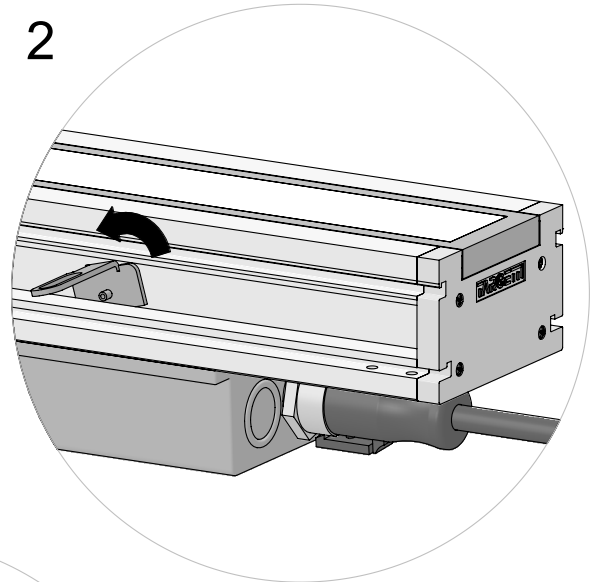


- With the pivot bracket piece, insert it into the side of the fixture and turn the piece counter clockwise until the clip locks tight into position (sketches 1 & 2).
- The pivot gap where the mounting bracket attaches will be vertical to allow the bolt to secure the pivot bracket to the wall mount bracket with supplied hardware.

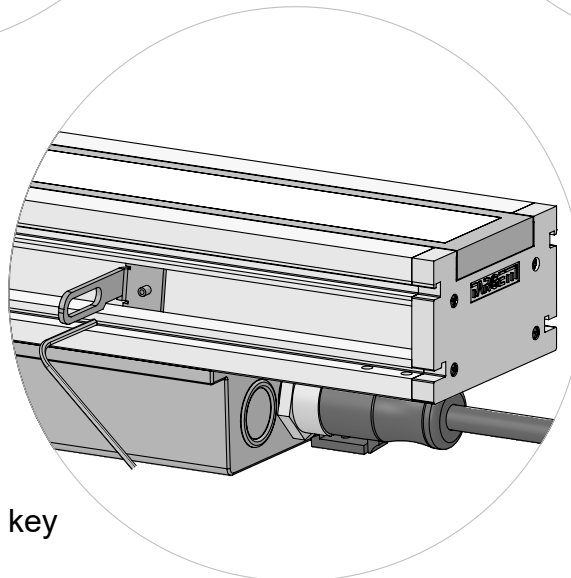
1



2



3

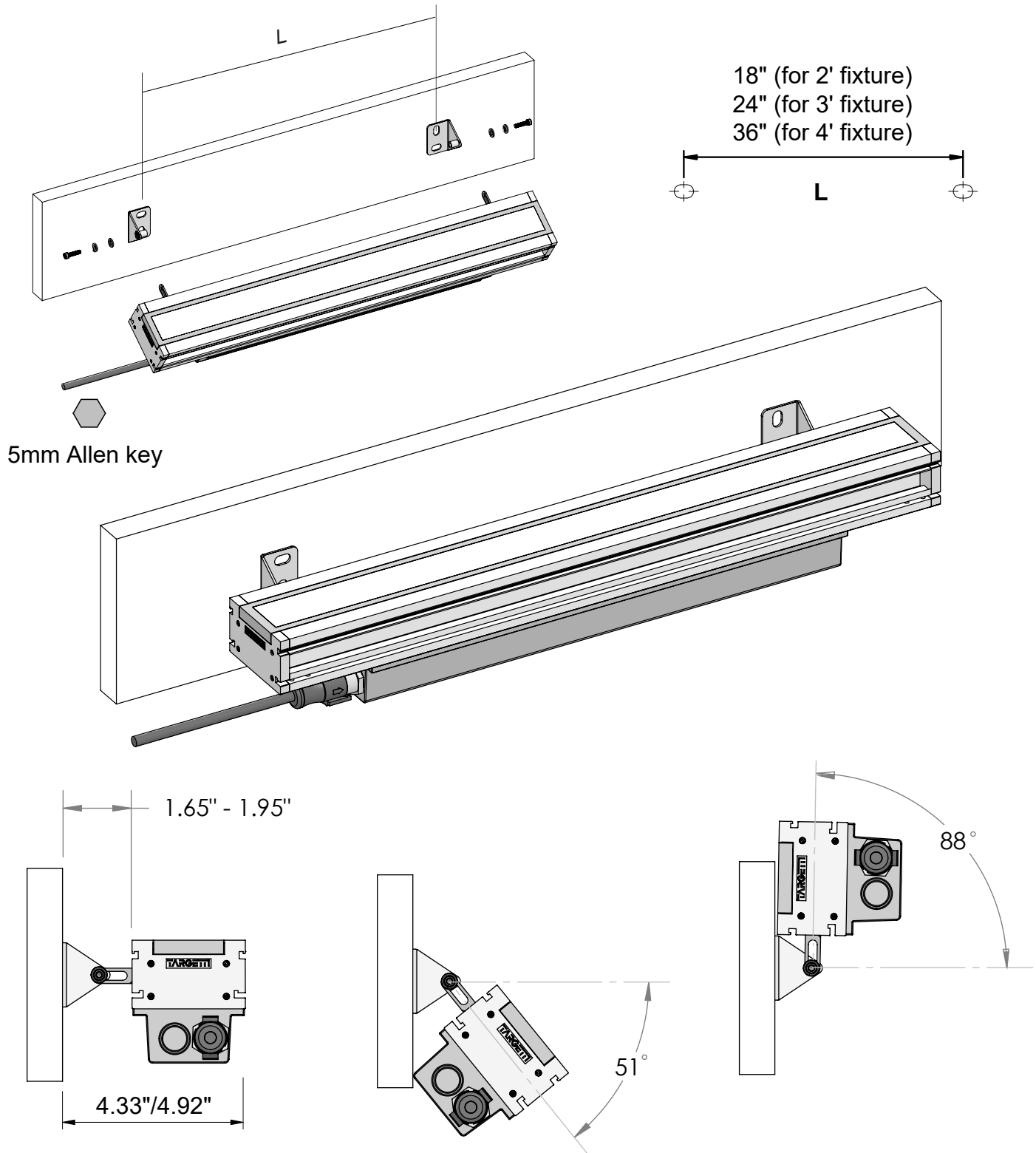


 1.5mm Allen key

Mounting Installation Cont.

WITH SHORT STAINLESS STEEL SURFACE MOUNTING BRACKET - 1E2752

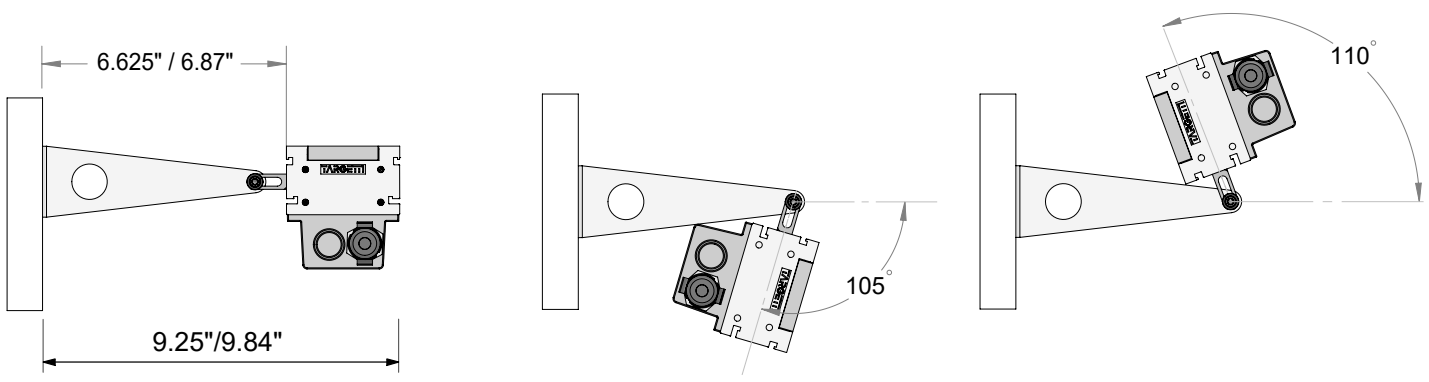
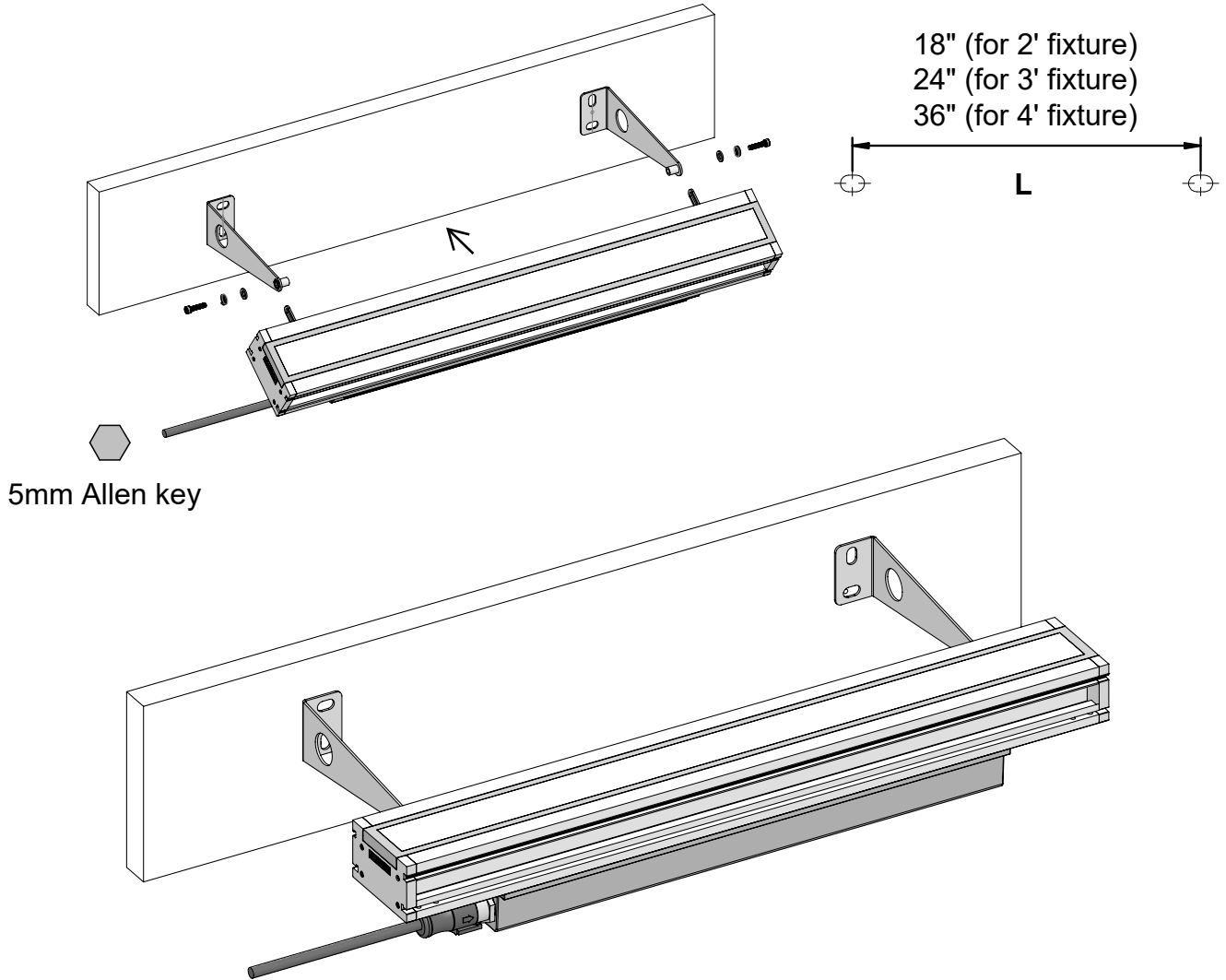
- Attach the mounting brackets on the wall with appropriate fasteners to secure the bracket onto the mounting surface (use correct screw size or anchor based on surface material).
- Lock the mounting bracket with the fixture bracket clip together with the bolt and washers provided to tightened and secure fixture into place.
- If attaching multiple fixtures in line, adjust bolt and mounting bracket accordingly for linear installation before securing bolt into place.



Mounting Installation Cont.

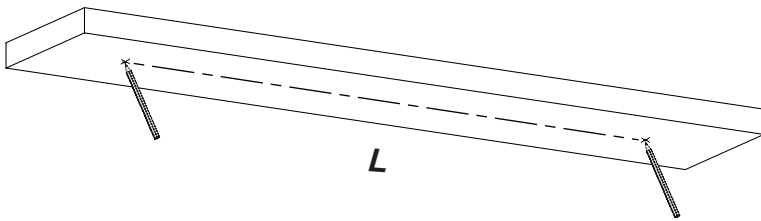
WITH LONG STAINLESS STEEL SURFACE MOUNTING BRACKET - 1E2753

- Attach the mounting brackets on the wall with appropriate fasteners to secure the bracket onto the mounting surface (use correct screw size or anchor based on surface material).
- Lock the mounting bracket with the fixture bracket clip together with the bolt and washers provided to tightened and secure fixture into place.
- If attaching multiple fixtures in line, adjust bolt and mounting bracket accordingly for linear installation before securing bolt into place.



Mounting Installation

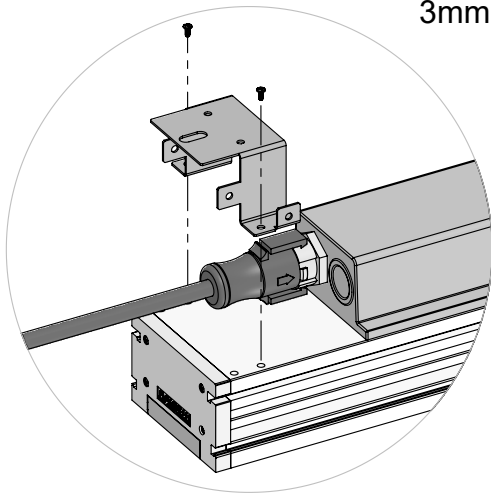
WITH SURFACE MOUNTING BRACKET - 1E2754



22" (for 2' fixture)
33.9" (for 3' fixture)
45.7" (for 4' fixture)



3mm Allen key

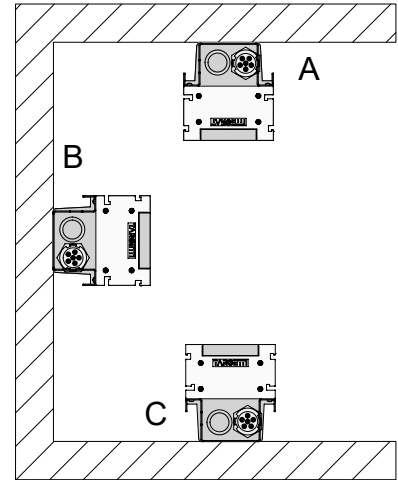


Mounting Positions:

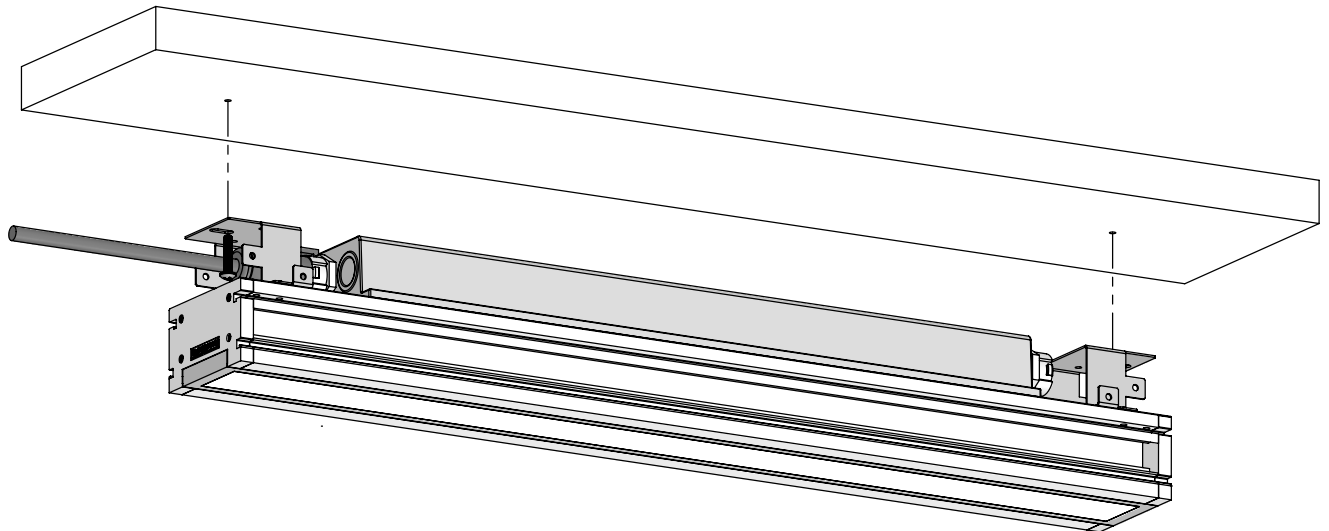
A: Ceiling Mount

B: Wall Mount

C: Floor Mount



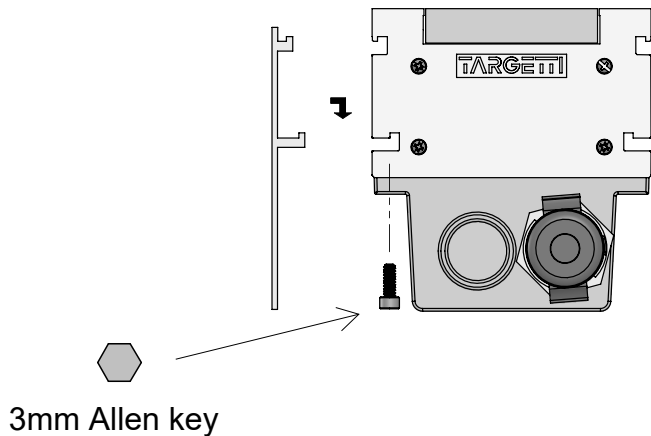
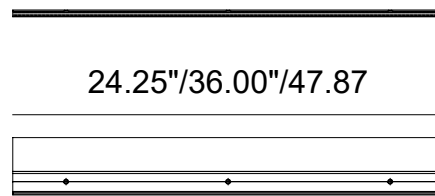
- 2 brackets will be installed on the mounting surface with a gap between the two brackets based on the size of the fixture.
- Use the appropriate fasteners or anchors to mount brackets onto mounting surface
- Provided with two hex screws for each bracket, use 3mm Allen key to tightened and secure the brackets to the both ends of each fixture.



Mounting Installation Cont.

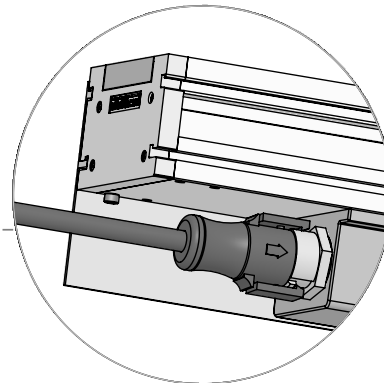
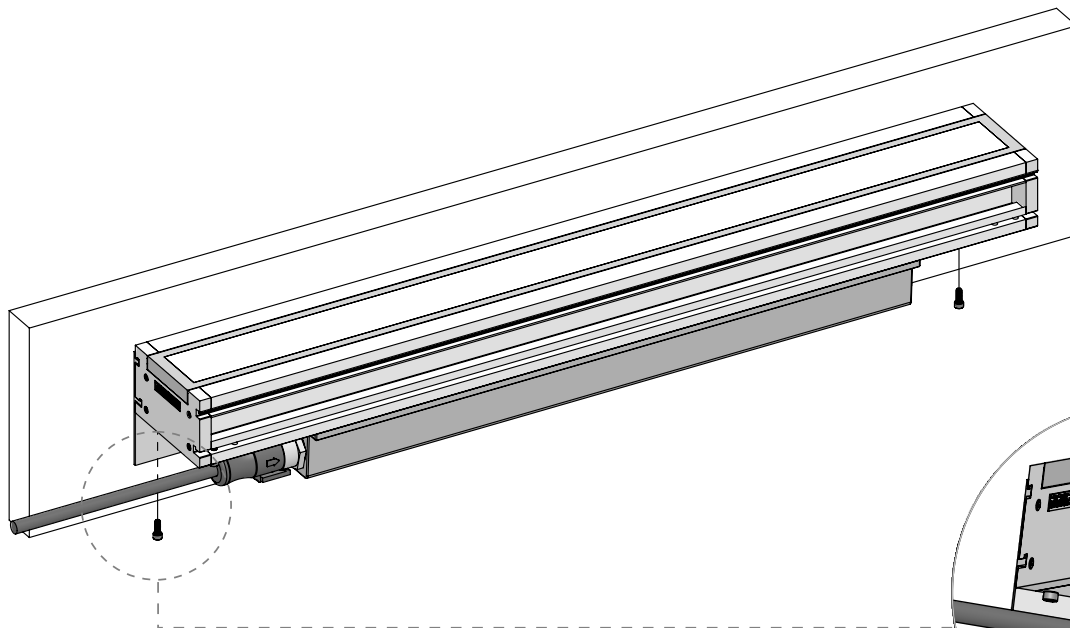
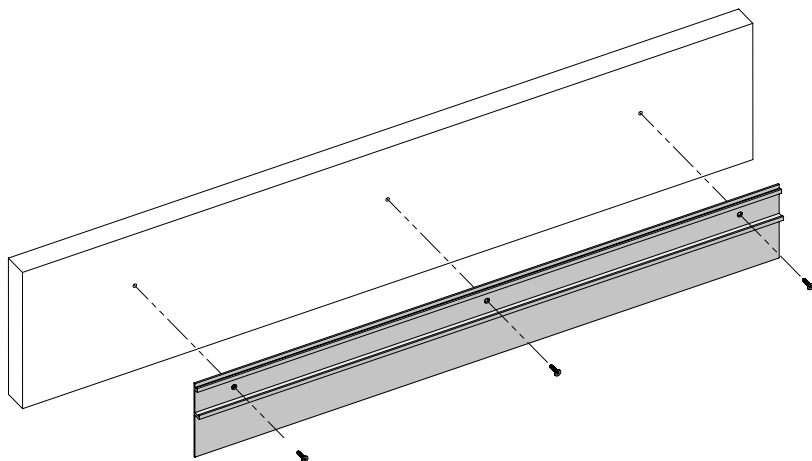
Flush Mount Wall Bracket

1DU2755
1DU2756
1DU2757



For Solo or separated fixture mounting. Bracket and fixture are at same length

- Locate the wall flush bracket and use the appropriate fasteners or anchors to secure the bracket onto the mounting surface. Be sure to level the bracket before securing the bracket on the mounting surface
- Attach the fixture onto the wall bracket and be sure that the fixture is properly locked on before securing with two hex screws provided. Fasten the hex screw with 3mm Allen key until fixture is tight and locked on



Mounting Installation Cont.

For inner connected fixtures mounting, set seams of flush mount bracket to stagger seams of fixtures.

1DU2755 - 24"

1DU2756 - 36"

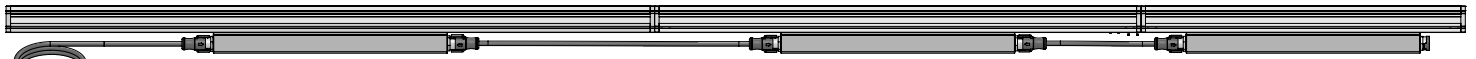
1DU2757 - 48"



48"

36"

24"



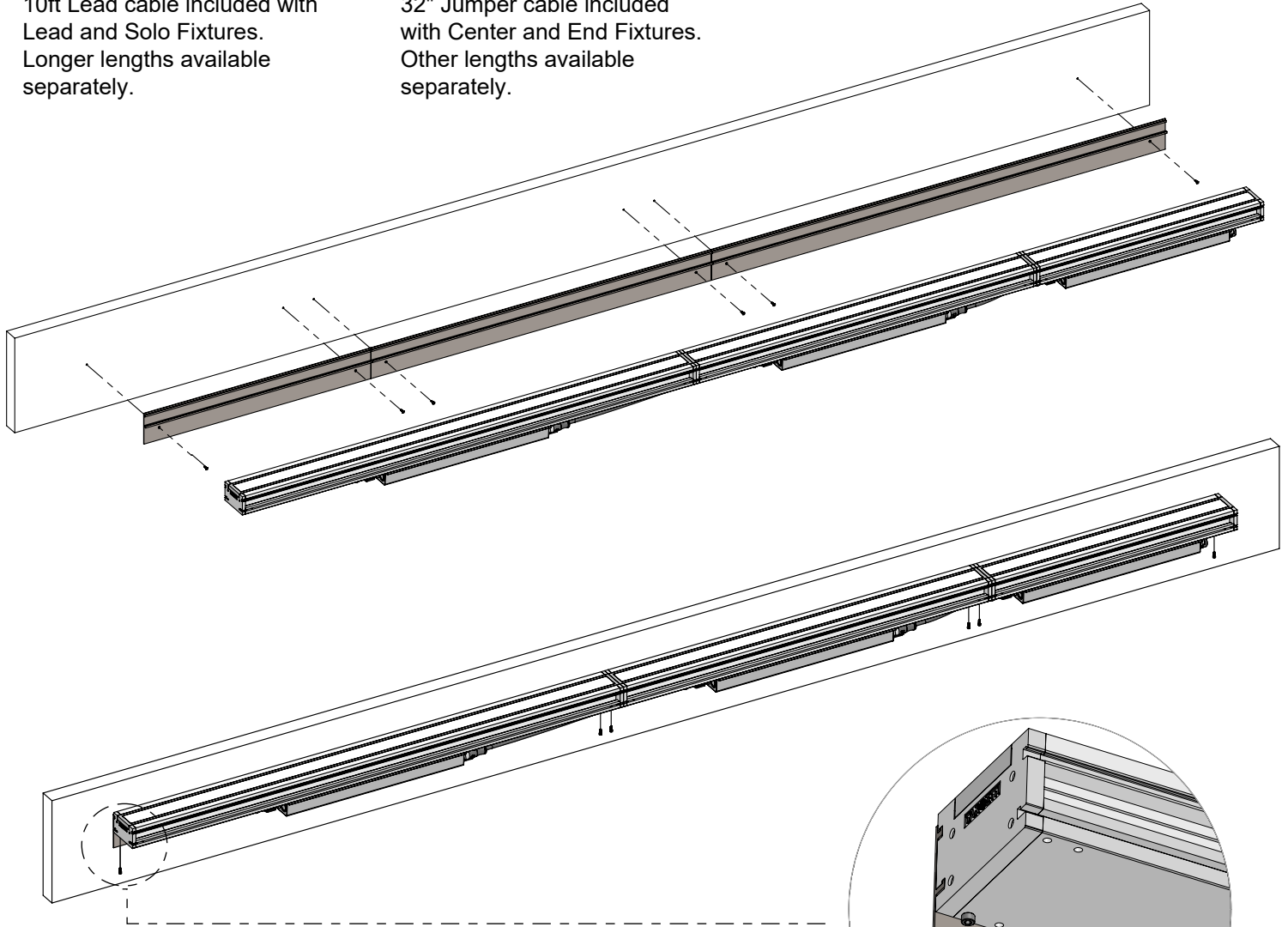
LEAD FIXTURE

CENTER FIXTURE

END FIXTURE

10ft Lead cable included with Lead and Solo Fixtures. Longer lengths available separately.

32" Jumper cable included with Center and End Fixtures. Other lengths available separately.



Optional Lead and Jumper Cable Sets

LONGER LEAD CONNECTION CABLE (OPTIONAL))



JEDI longer lead includes EPDM JACKET 16-6 cable with DSM&T quick disconnect.

<i>Length</i>	25ft
---------------	------

Part No. **JEDILEAD-25**

ADDITIONAL JUMPER CONNECTION CABLE (OPTIONAL)



JEDI jumper cable includes EPDM JACKET 16-6 cable with two DSM&T quick disconnects.

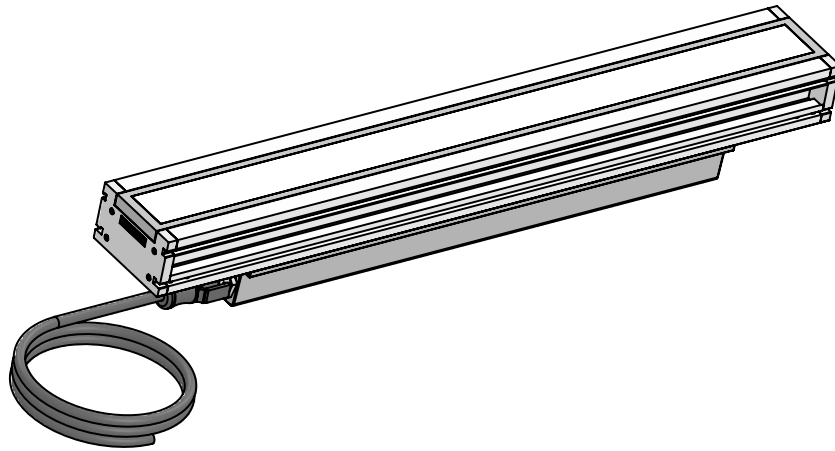
<i>Length</i>	10ft	25ft
---------------	------	------

Part No. **JEDIJUMP-10 JEDIJUMP-25**

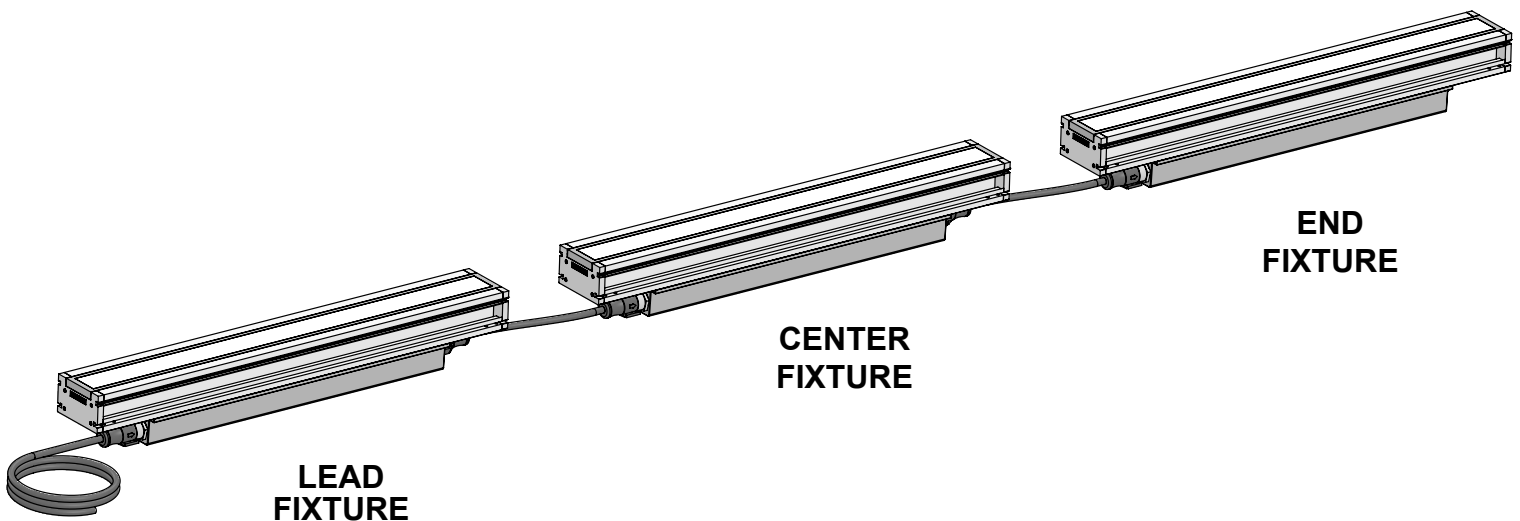
Fixture Installation

- Fixture is connected from J-Box line voltage to its connector and secured by tightening the lock ring counter clockwise to ensure a sealed connection.
- For multiple fixtures: be sure to arrange the fixtures in the correct order before connecting. Jumper cables (ordered separately) are used to connect multiple fixtures between each other in a linear connection.
- Jumper cables are labeled with the multiple fixtures ordered to provide the specific position of the fixtures and the jumper cable connectors position. **Maximum power consumption of multiple fixtures on one line is 1500W.**

SOLO FIXTURE 24" / 36" / 48"



INTER CONNECTED FIXTURE RUN INSTALLATION



Electrical Roughin

- For each individual run we recommend that the electrical J-Box is positioned within 10ft. away from lead fixture for use with standard 10ft. leads. Each Lead and Solo fixtures are supplied with a 10ft. lead for 120-277V Input and a 10ft. lead for 0-10V Dimming.
- Lead lengths can be ordered longer at 25ft. or 50ft. if connection to main power requires.
- If the source is 120V, max of 14 each 4-foot fixtures (50 feet of fixture illumination) on a single home run allowed.
- If the source is 277V, max of 35 each 4-foot fixtures (140 feet of fixture illumination) on a single home run allowed.
- Please see chart below for detailed information on max run lengths per circuit.

Voltage Drop Table

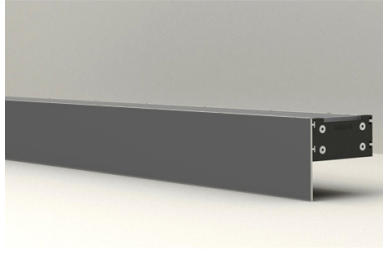
Voltage drop calculations are based on 10% max drop to last fixture in run for load and distances below

Length in Fixtures	Load	Power
Up to 88ft.	1166W	120V
Up to 208ft.	2756W	277V

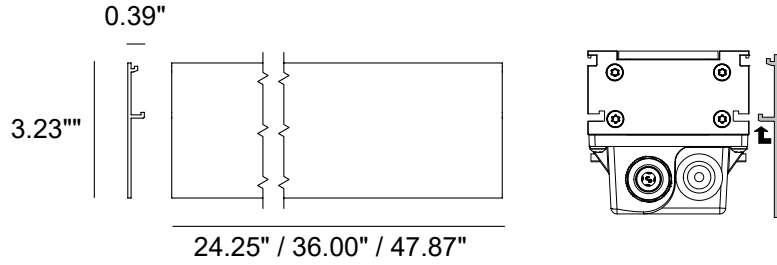
Max lengths include lengths of lead and jumper cables.

Example: 3 each 2ft. fixtures and 3 each 3ft. fixtures = 15ft. of fixture illumination.
Consider the following for every individual run:
28W for every 24" / 40W for every 36" / 53W for every 48"

Flush Finish Side Cover



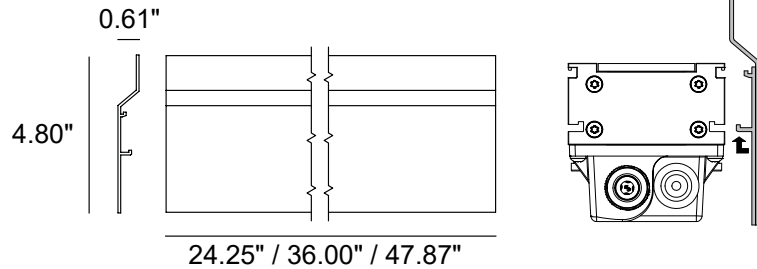
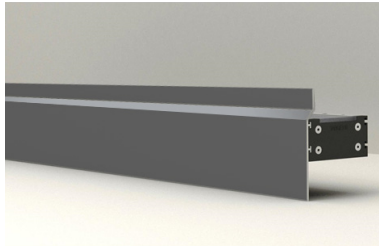
Optional Side Cover



JEDI anodized aluminum side cover mounts flush with to the top of the fixture. Side cover option allows for a fluid finished appearance that can be field painted to match the architectural finish.

<i>Length</i>	24.25"	36.00"	47.87"
<i>Part No.</i>	1E2755	1E2756	1E2757

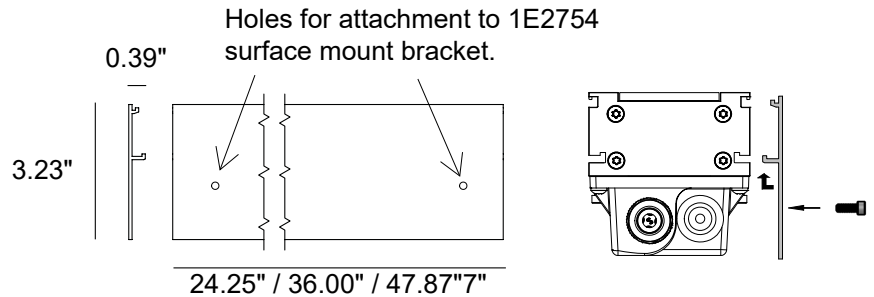
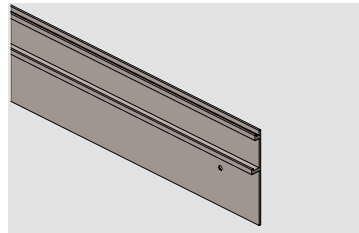
Anti-Glare Shield Side Cover



JEDI anodized aluminum anti-glare side cover mounts with a slight standoff to eliminate glare for direct view applications. Side cover option allows for a fluid finished appearance that can be field painted to match the architectural finish.

<i>Length</i>	24.25"	36.00"	47.87"
<i>Part No.</i>	1E2758	1E2759	1E2760

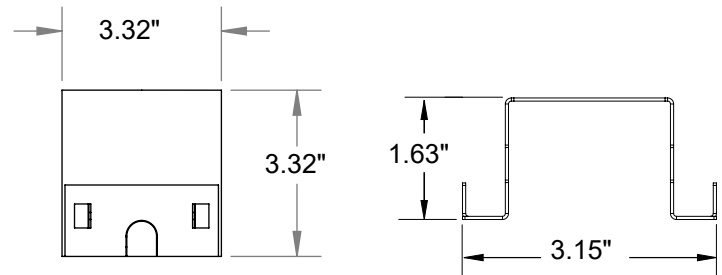
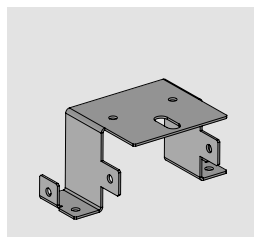
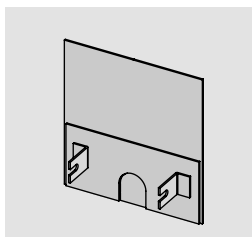
Ceiling Finish Side Cover



JEDI anodized aluminum ceiling finish side cover with to the top of the fixture and attaches with surface screws.

<i>Length</i>	24.25"	36.00"	47.87"
<i>Part No.</i>	1E3045	1E3046	1E3047

End Cap

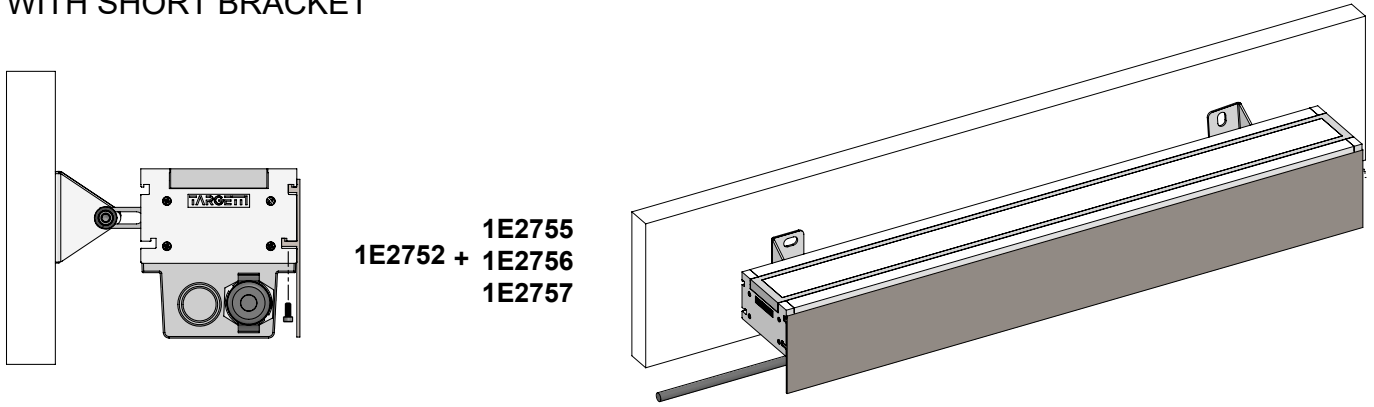


JEDI end cap, 1ea. Kit include 1ea 1E2754 Bracket to mount at end of fixture. Used to create finished end for side cover mounting applications.

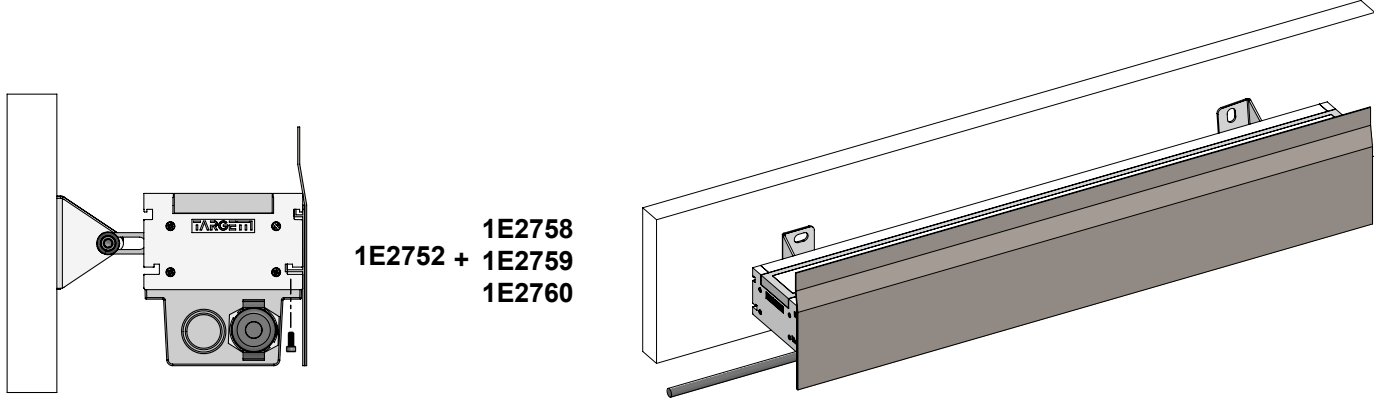
<i>Part No.</i>	1E2761
-----------------	---------------

Side Cover Options - Wall

WITH SHORT BRACKET

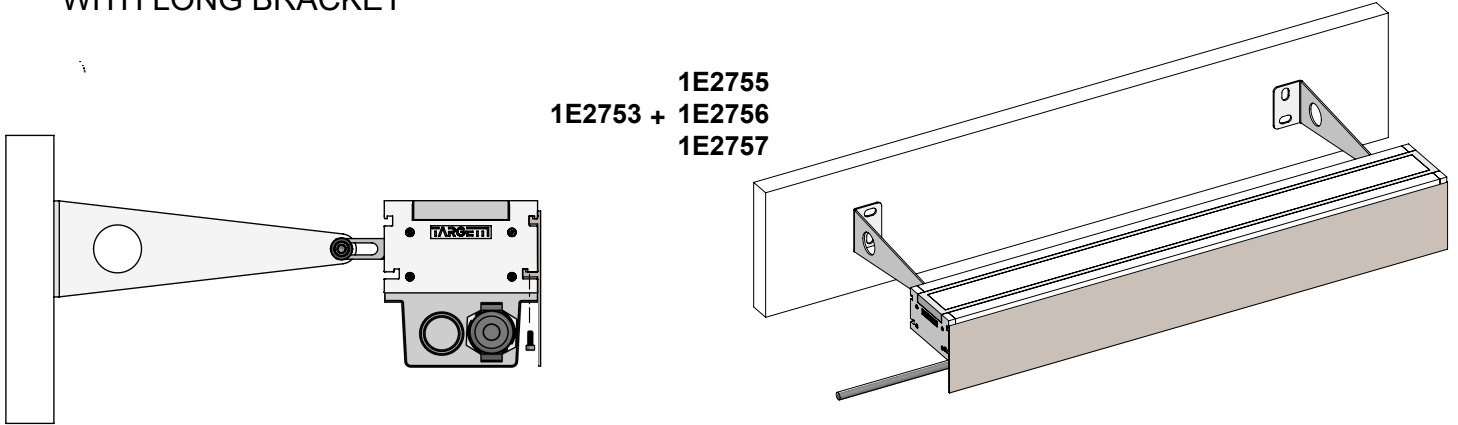


1E2755
1E2752 + 1E2756
1E2757

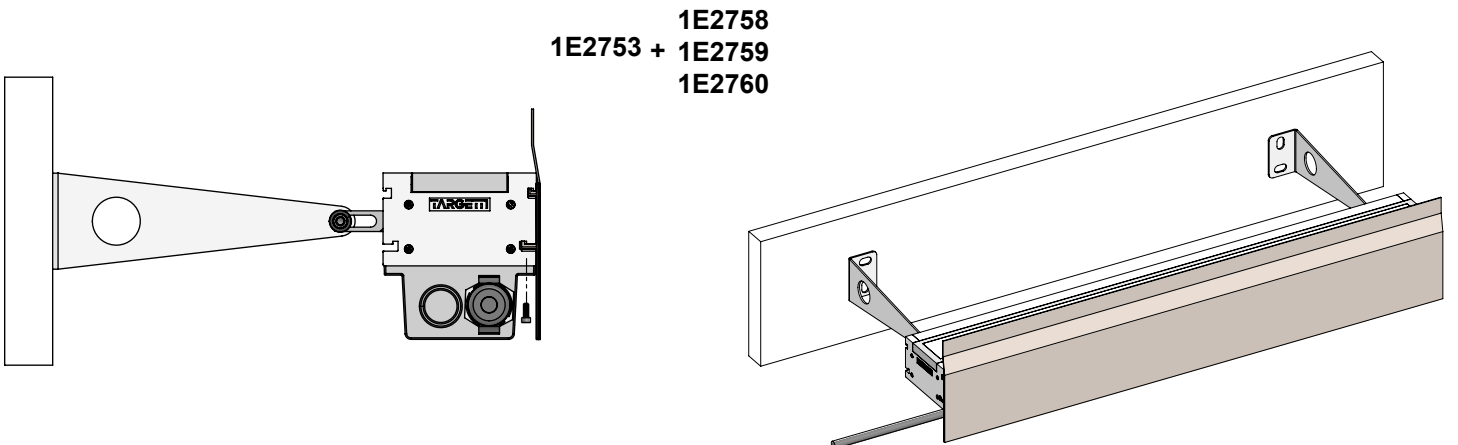


1E2758
1E2752 + 1E2759
1E2760

WITH LONG BRACKET



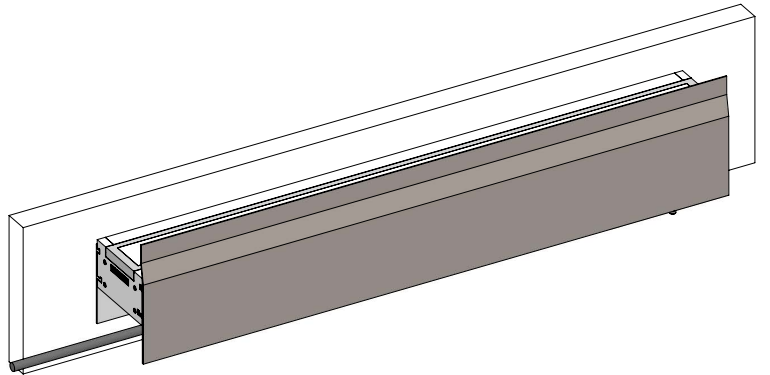
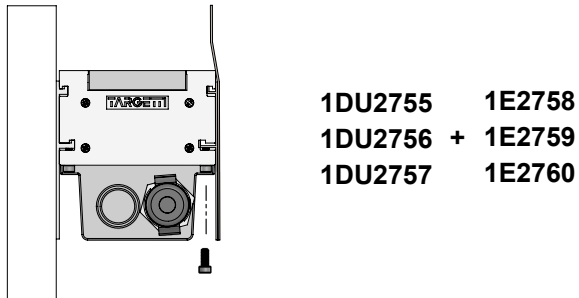
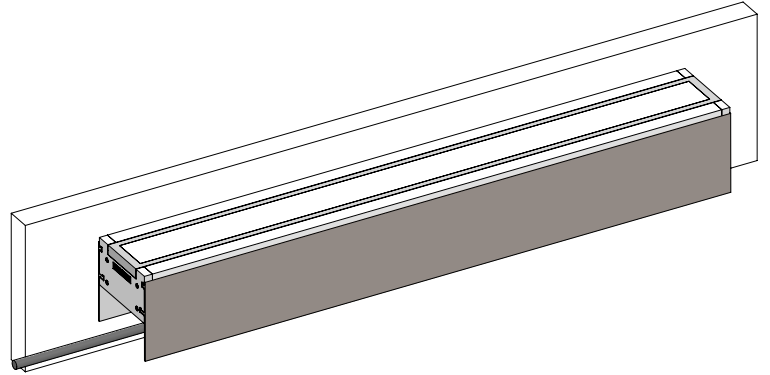
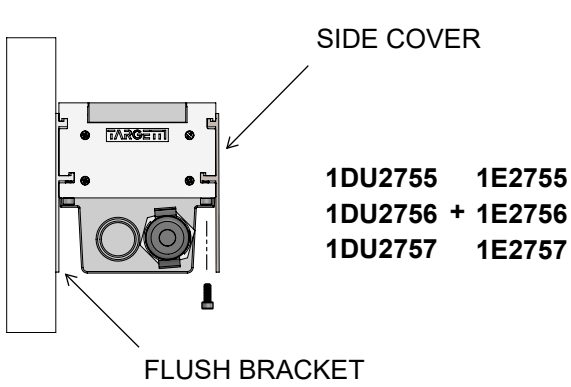
1E2755
1E2753 + 1E2756
1E2757



1E2758
1E2753 + 1E2759
1E2760

Side Cover Options -Wall

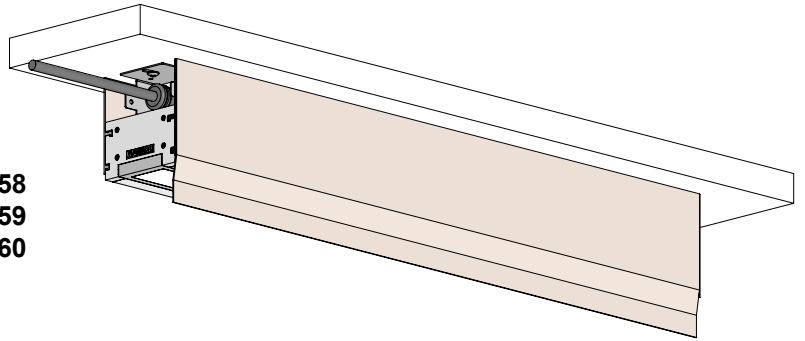
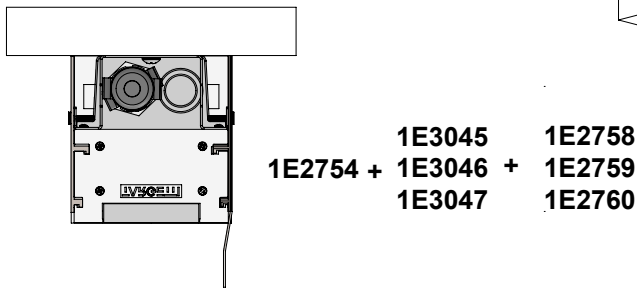
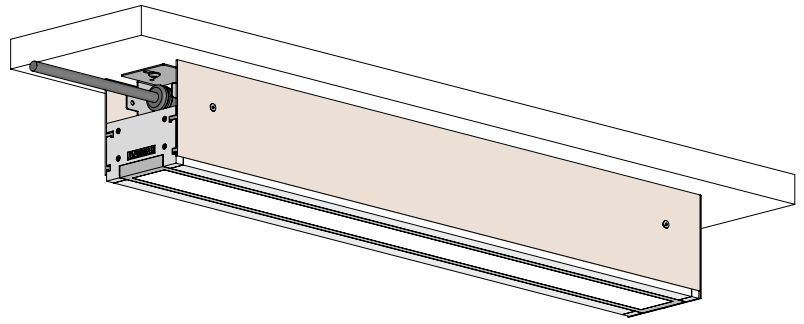
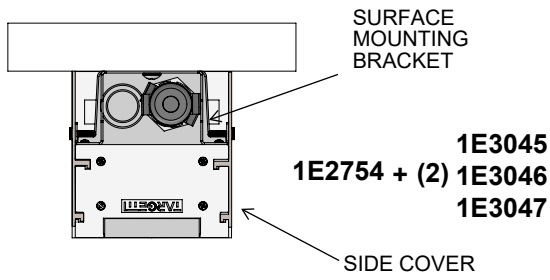
WITH FLUSH BRACKET



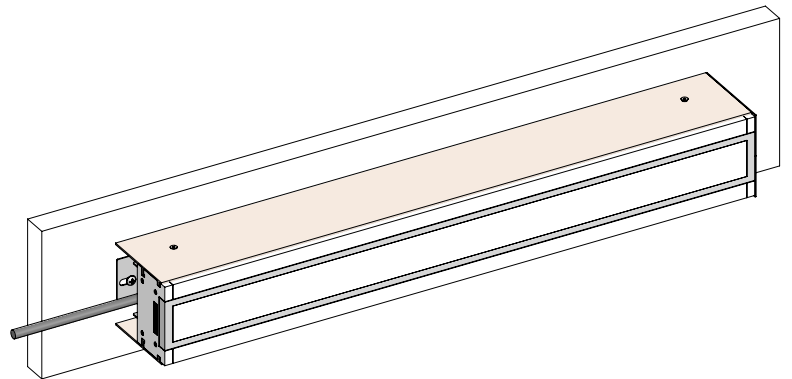
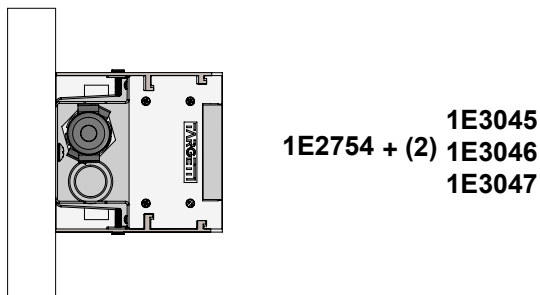
Side Cover Mounting Options - Ceiling

WITH SURFACE MOUNTING BRACKET - 1E2754

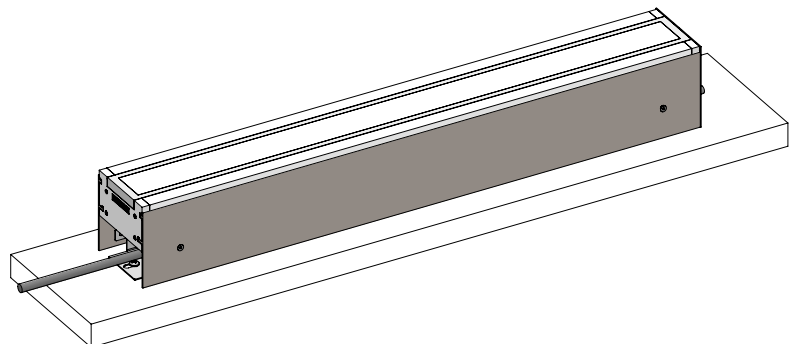
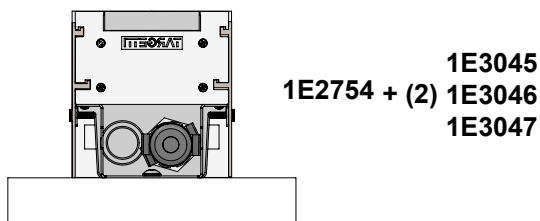
CEILING MOUNT



WALL MOUNT

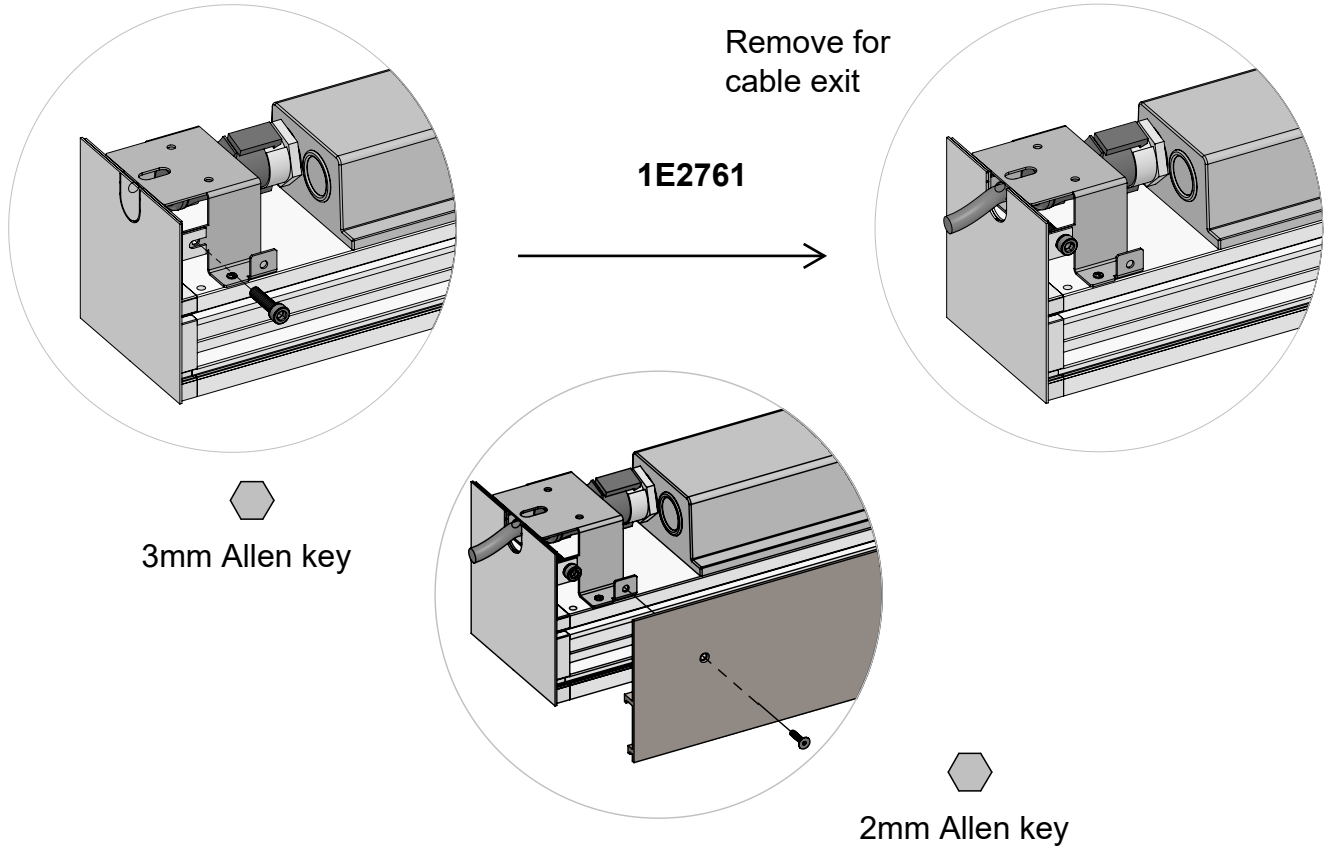


FLOOR MOUNT

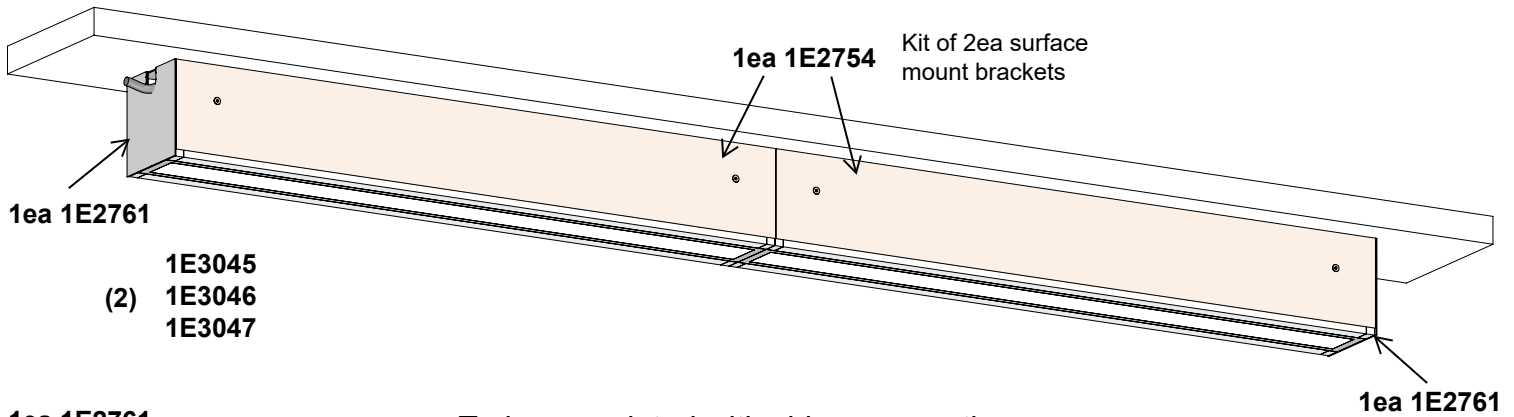


Mounting Installation Cont.

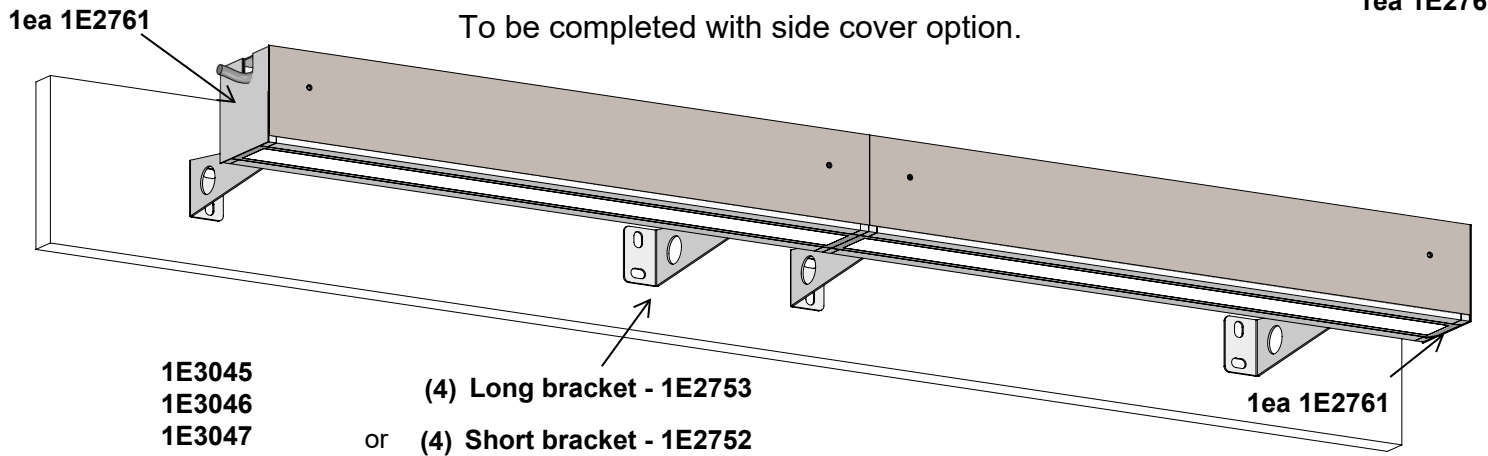
End Cap - 1E2761



To be completed with side cover option.



To be completed with side cover option.



Maintenance

This fixture was designed and manufactured for a durable, long lasting use with minimum care. To ensure the maximum lifespan of this product, we encourage our customer to provide a quality visual inspection of the fixture and installation accessories every six months. If there are any visible signs of issues (i.e moisture or dust) during the inspection, please clean any of the dust or moisture with a soft cloth and check to make sure that any of the fixtures are still operating normally. If there are any issues regarding the fixture please contact us as we will assist the situation at hand.

Support

Any questions, problems, or comments you have please feel free to contact our Customer Service department during our business hours Monday-Friday 8am-5pm via: Email: usaorders@targetti.com
Phone: (714) 513-1991

Visit our website: <http://www.targettiusa.com>