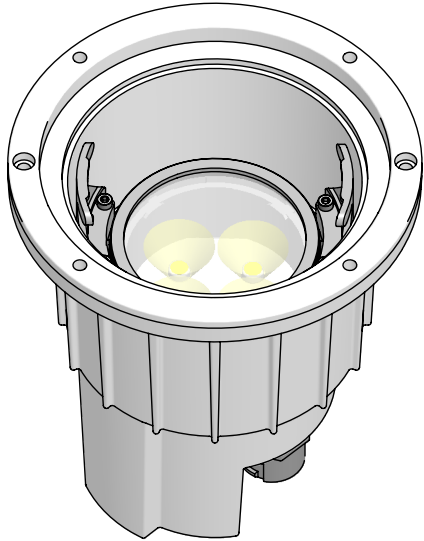




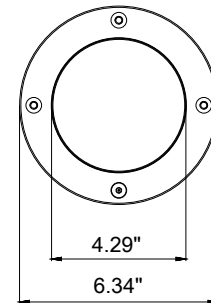
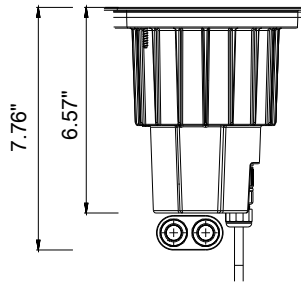
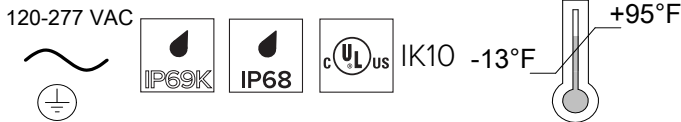
KEPLERO MINI GIMBAL

KPLM41GMB SPL1-
KPLM41GMB FLL1-

KEPLERO MINI GIMBAL (SPOT), FLOOD



If in doubt about the symbols, please refer to catalog or website



WARNING

To ensure maximum efficiency of the product, read the following instructions thoroughly prior to installation.

***Please make sure the fixture is sealed correctly and the trim ring is properly tightened.**



This fixture must be installed by a licensed and qualified electrician. The installer must comply with NEC and local building codes when installing the fixture



Electrical current can cause painful shock, serious injury, or even death. Make sure you turn off the power supply, ground fixture(s), and make sure all electrical connections are correct and secured



This fixture must not be installed during rain, fog, or high humidity



For use in IP67 installations.



Keep the label of the original packaging if any eventual future claims are needed

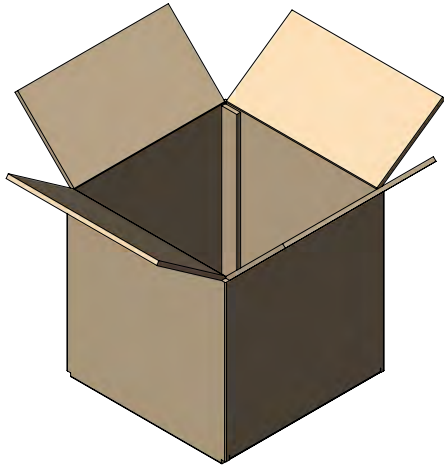
Table of Contents

Packaging Contents	Pg.2
Required Options Sold Separately Choose	Pg.3-7
Installation Instructions	Pg.8-17
Finished Installation Example	Pg.18-19
Maintenance / Support	Pg.20

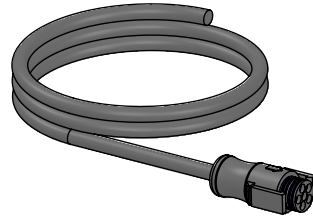
Packaging Contents

Keplero Mini Gimbal

7.5"x 7.5"x 8.5" Box @2.43 lbs



Standard 4' Lead Cable



Conductor Callout

IP68 DSM&T anti-wicking quick disconnect

Black = line voltage

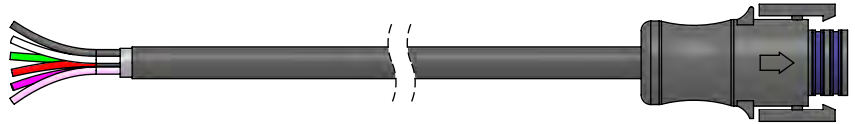
White = neutral

Green = ground

Red = Do Not Use

Purple = positive 0-10V

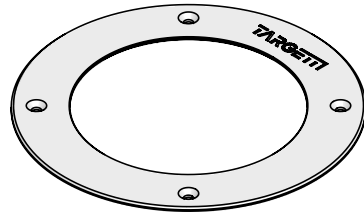
Pink = negative 0-10V



Led Fixture 1 ea.



Stainless Steel Trim Ring 1 ea.
IK10 Glass and Gasket 1ea.



Trim ring screws 4 ea.
(installed on fixture)

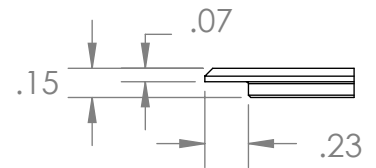
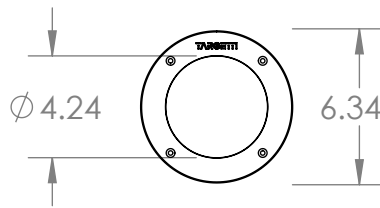
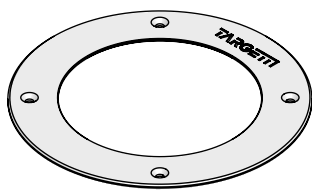


Fastening Screws 2 ea.

Note: SS Trim finish and Glass type to be specified for order (see page 3 and 4)

Required Options Sold Separately Choose

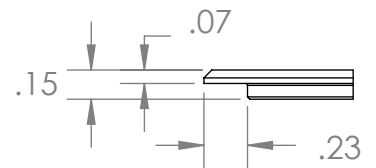
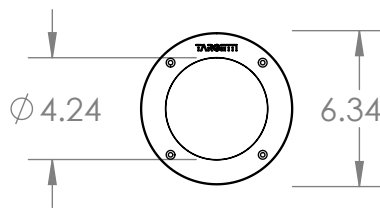
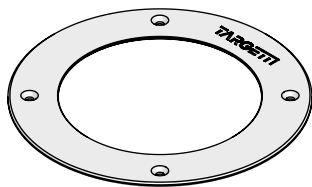
ROUND TRIM RING



Round stainless steel (AISI316L) decorative ring. 10mm thick extra clear protective glass. Silicone gasket. Tamper proof (AISI316L) Torx screws.

Finish ● Brushed Natural ● Bronze PVD ● Black PVD

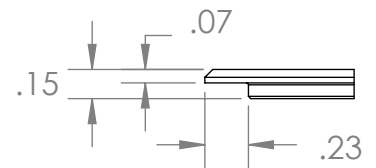
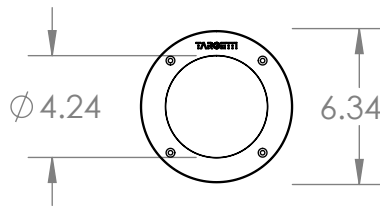
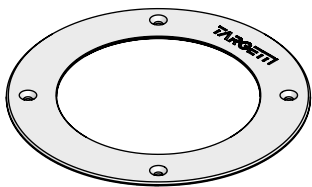
Part No. **1E2525** **1DU2525B** **1DU2525K**



Round stainless steel (AISI316L) decorative ring with anti-slip glass. 10mm thick extra clear protective glass. Silicone gasket. Tamper proof (AISI316L) Torx screws.

Finish ● Brushed Natural ● Bronze PVD ● Black PVD

Part No. **1DU2525A** **1DU2525BA** **1DU2525KA**



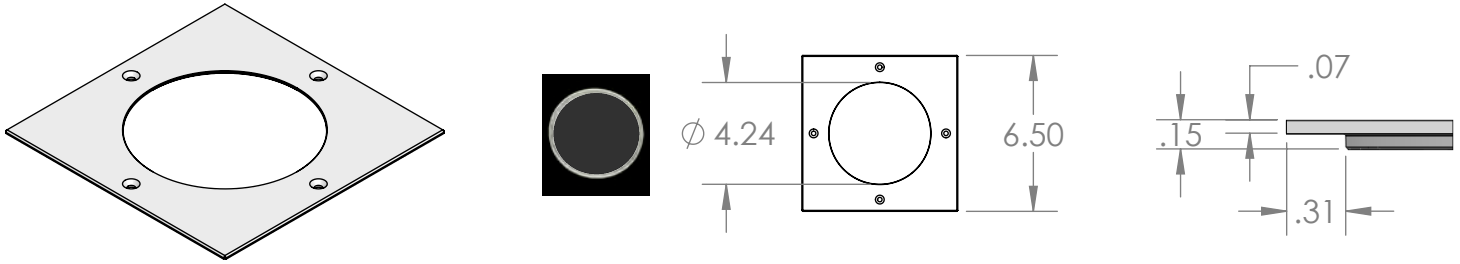
Round stainless steel (AISI316L) decorative ring with half frosted glass. 10mm thick extra clear protective glass. Silicone gasket. Tamper proof (AISI316L) Torx screws.

Finish ● Brushed Natural ● Bronze PVD ● Black PVD

Part No. **1DU2525E** **1DU2525BE** **1DU2525KE**

Required Trim Options continued

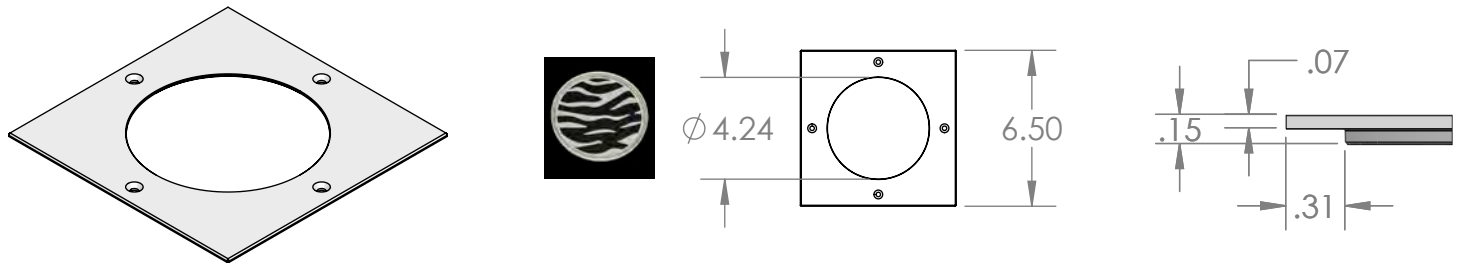
SQUARE TRIM RING



Square stainless steel (AISI316L) decorative ring. 10mm thick extra clear protective glass. Silicone gasket. Tamper proof (AISI316L) Torx screws.

Finish ● Brushed Natural

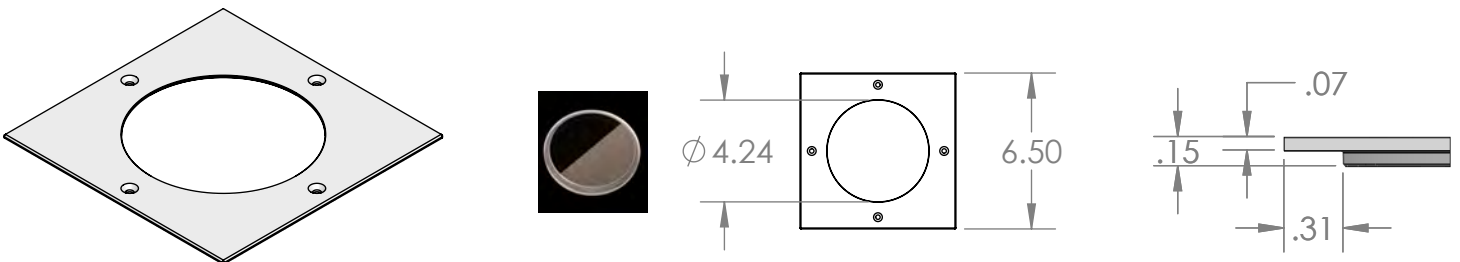
Part No. **1E2526**



Square stainless steel (AISI316L) decorative ring. 10mm thick extra clear protective glass. Silicone gasket. Tamper proof (AISI316L) Torx screws.

Finish ● Brushed Natural

Part No. **1DU2526A**

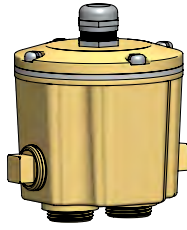


Square stainless steel (AISI316L) decorative ring. 10mm thick extra clear protective glass. Silicone gasket. Tamper proof (AISI316L) Torx screws.

Finish ● Brushed Natural

Part No. **1DU2526E**

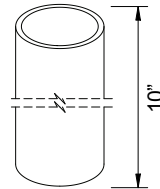
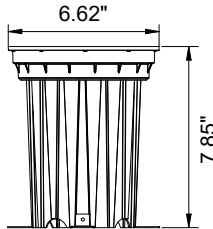
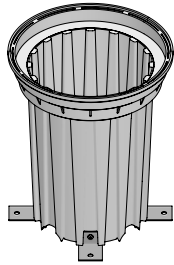
In Grade J - Box Required



Direct burial brass ingrade j-box. Features stainless steel cover screws and strain relief for power cord, (2) 3/4" NPT bottom holes and (2) 3/4" NPT side holes. Includes (4) 3/4" to 1/2" adapters and (2) 1/2" NPT plugs **(REQUIRED by NEC)**.

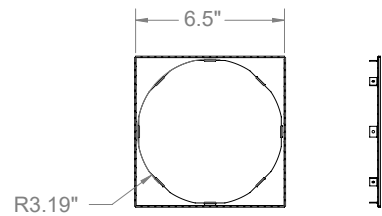
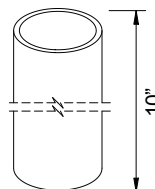
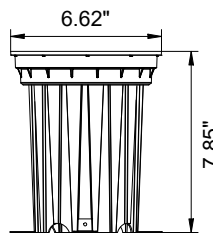
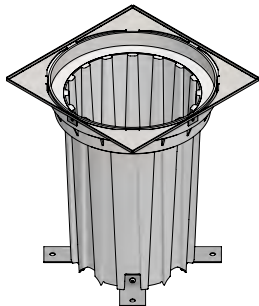
Part No. **1DU2530**

Required Installation Sleeve Options Choose



Installation sleeve for concrete pour applications. Grey Nylon Sleeve with 10" PVC installation outer pipe. For flush or semi-flush installations. **Requires use of 1DU2530 by NEC.**

Part No. **1DU2521**

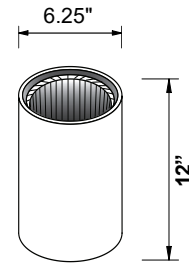


Installation sleeve for concrete pour applications. Grey Nylon Sleeve and stainless steel support bracket with 10" PVC installation outer pipe. Square ring for flush installation only. **For use with square trim options only. Requires use of 1DU2530 by NEC.**

Part No. **1E2522**

1DU2522

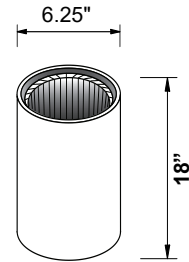
Required Installation Sleeve Options Continued



At grade or raised installation sleeve for turf or ground cover applications. **12”H** stainless steel, includes factory pre-installed inner PVC installation sleeve. **To be used with round trim options only. Not suitable for use with 1DU2521 or 1DU2522.** (Field cuttable. Used for fixture elevations at grade to 3” above grade). **Requires use of 1DU2530 by NEC.**

Finish ● Deep Black

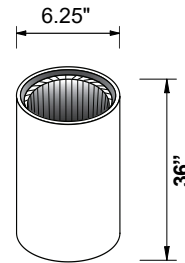
Part No. 1DU434412



Raised installation sleeve for ground cover (succulents and low level planting) applications. **18”H** stainless steel, includes factory pre-installed inner PVC sleeve. **To be used with round trim options. Not suitable with 1DU2521 or 1DU2522.** (Field cuttable. Used for fixture elevation 3” to 7” above grade). **Requires use of 1DU2530 by NEC.**

Finish ● Deep Black

Part No. 1DU434418



Raised installation sleeve for landscape applications. **36”H** stainless steel, includes factory pre-installed inner PVC sleeve. **To be used with round trim options. Not suitable with 1DU2521 or 1DU2522.**

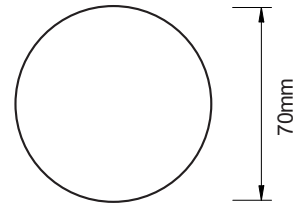
(Field cuttable. Used for fixture elevation 7” to 21” above grade). **Requires use of 1DU2530 by NEC.**

Finish ● Deep Black

Part No. 1DU434436

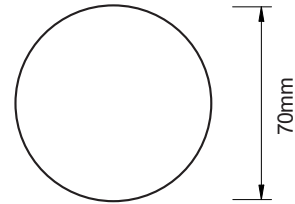
Optical Accessories (Optional)

MAXIMUM OF ONE OPTICAL FILTER OR LOUVER ACCESSORY PER FIXTURE



'Blade of Light' linear spread lens. Parallel ribbed glass.

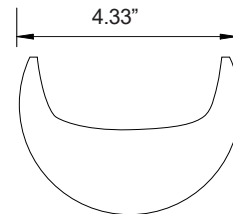
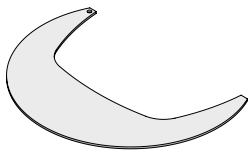
Part No. 1T1708



Anti-glare honeycomb louvre with lacquered metal structure.

Finish ● Deep Black

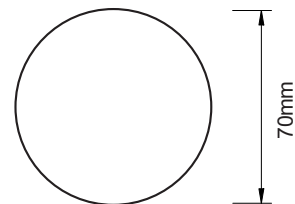
Part No. 1T1711



Integral half moon anti glare shutter. Can be used as one per fixture with a filter or louvre, not considered as part of the maximum optical accessories.

Finish ● Deep Black

Part No. 1E2523

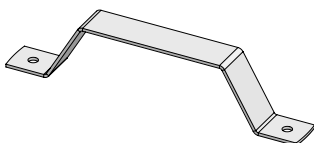


Tone filter. Glass filter to vary the color temperature of light.

Finish Peach Tone Cold Tone Gold Tone

Part No. 1T1759 1T1777 1T1786

Installation (Optional)



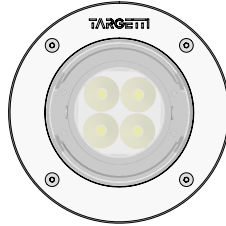
Fixture metal maintenance removal handle. Helpful one per 10 fixtures.

Part No. 1E2524

2024-01 Pg.7

Keplero Mini Installation

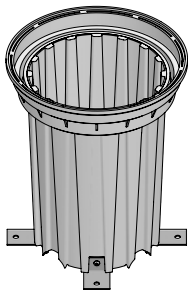
Keplero Mini is available with an integrated electronic 4/1 dimming (Non-Dimming / 0-10V / Reverse Phase / Forward Phase) 120-277V driver.



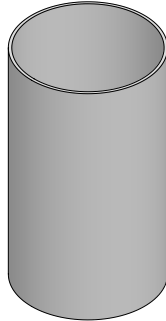
Keplero Mini Gimbal



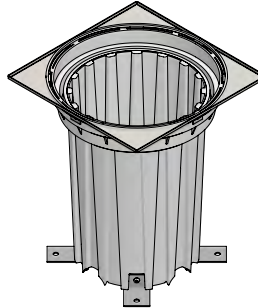
Installation Sleeve



1DU2521



OR

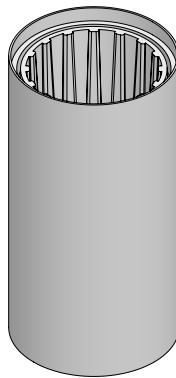


1DU2522

OR

Raised Installation Sleeve

**1DU434412
1DU434418
1DU434436**



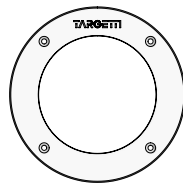
12" / 18" / 36" heights available



Stainless Steel Trim Ring

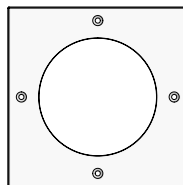
All the rings can be installed flush or semi-flush by simply removing the insertion collar from the PVC installation sleeve.

Square trim ring only available for recessed installation, not for use with raised tube.

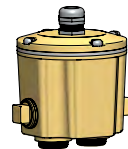


**1E2525
1DU2525A
1DU2525E**

OR



**1E2526
1DU2526A
1DU2526E**



In Grade J - Box Required

Sleeve Installation Instructions

IN GRADE INSTALLATION

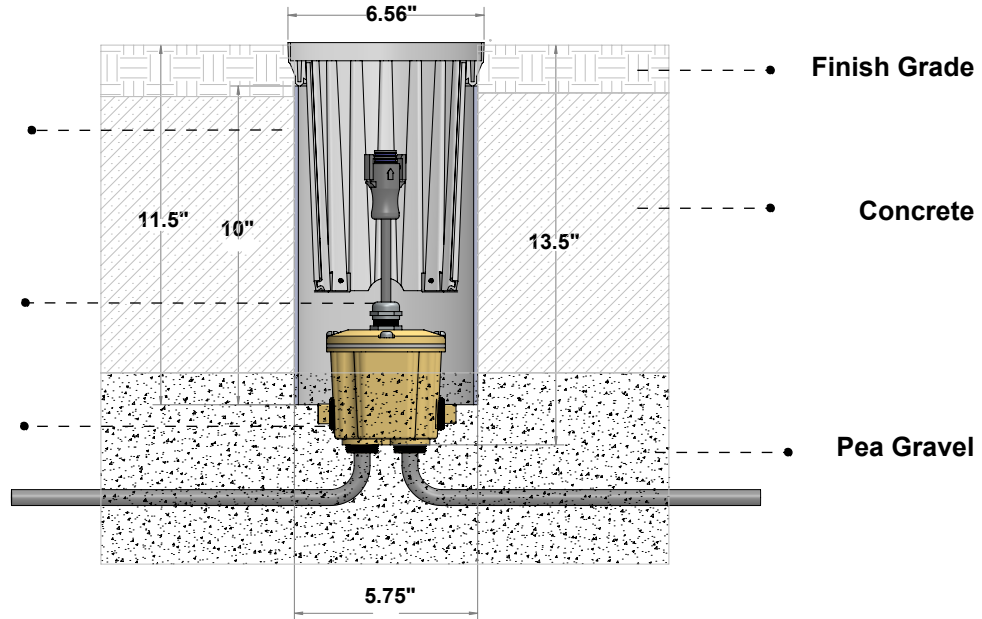
- Installers will dig out trenches to prep the PVC tube
 - Put gravel in the trenches for the J-Box
 - Requirement by UL for adequate drainage
 - Safety net covers below the J-Box and the conduit pipe to warn diggers what is below
- Position of the J-Box must be an accessible depth between 8.5-11.5" required for maintenance
- Insert the PVC pipe with the installation sleeve
 - The gap between the end of the PVC pipe and the middle of the J-Box should have enough room to fix the power cord to be installed with enough slack to remove the fixture while connected
 - Tube is field cut adjustable for accessibility



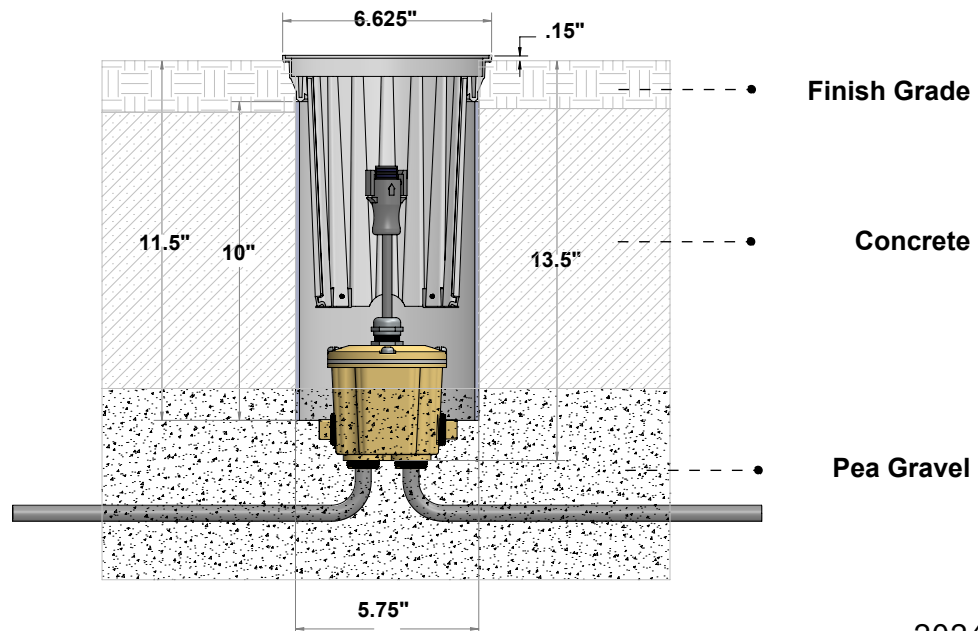
1DU2521

*Power Cord to be installed with enough slack to remove fixture while connected

In Grade Junction Box with 4 Foot Power Cord COD. 1DU2530.

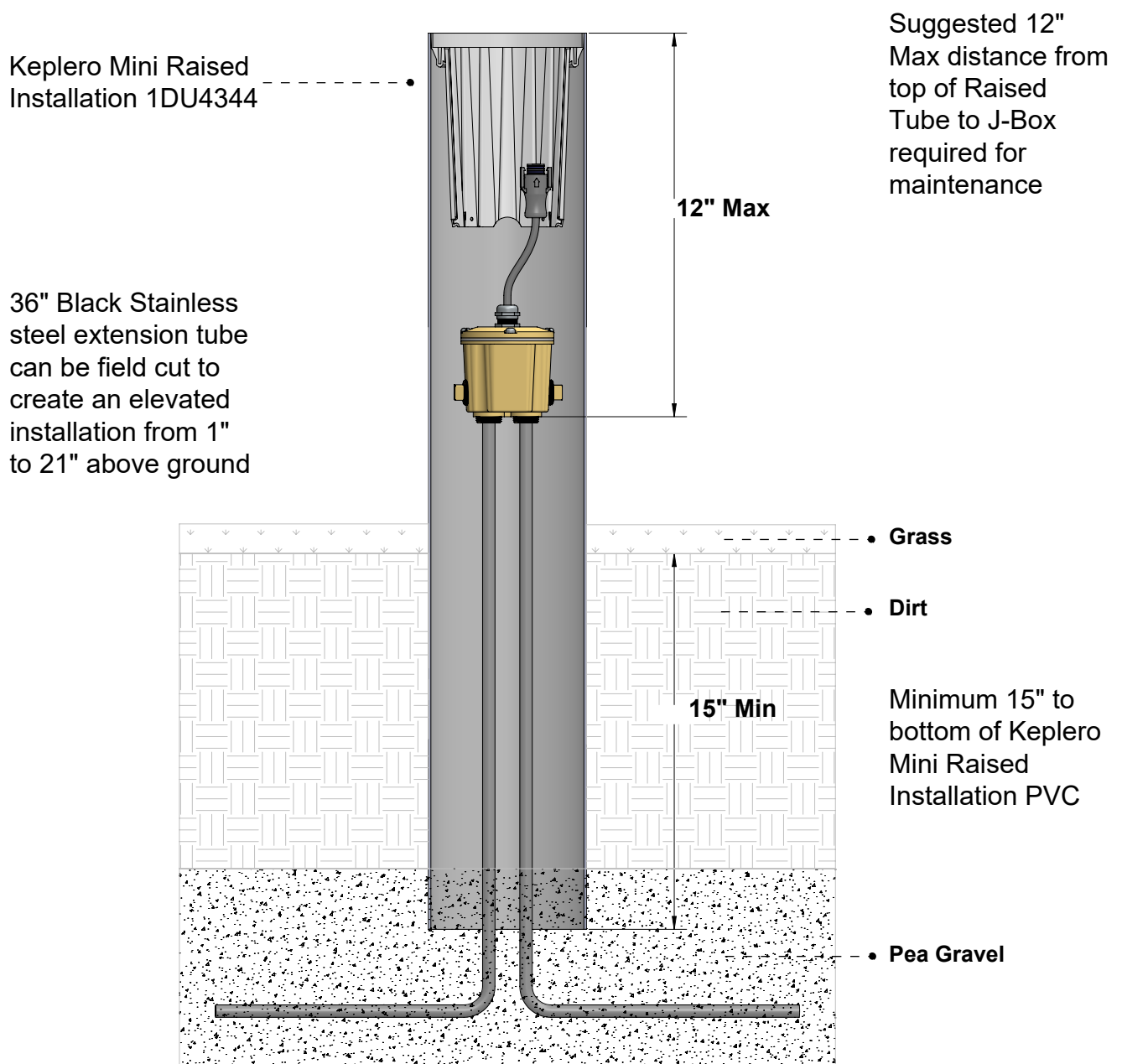


- If installation requires semi-flushed installation
 - Break off outer ring of installation sleeve for 0.15" raise
 - Fixture will rest above the sleeve for a covered look



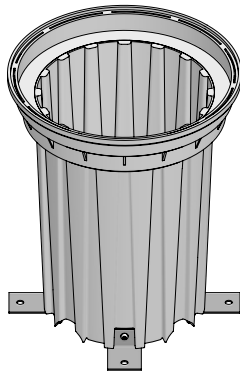
Sleeve Installation Instructions

- For low voltage dimming feature
 - Provide a separate PVC conduit through the gravel to provide a run for all fixtures with dimming for parallel circuiting installation
- For Raised Installation
 - Installers will dig out trenches to prep the PVC tube
 - Minimum 12.75" from bottom of raised installation sleeve to ground level Installers will dig out trenches to prep the PVC Insert the PVC pipe with the installation sleeve
 - PVC pipe for raised installation is 36" total This allows the extension PVC tube to be field cut to create an elevated installation with a range of 1" to 23"



Sleeve Installation Instructions

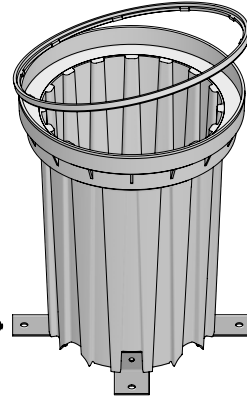
1



Remove L Bracket for use with 10" PVC extension pipe

Do not break-off outer ring for flush installation

2

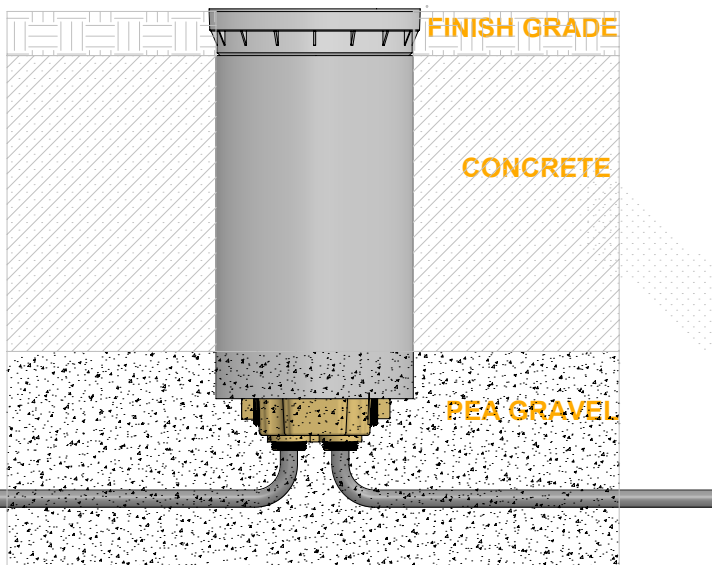


Break-off outer ring for semi-flush installation

Insert Sleeve with PVC pipe into position keeping power cord safe

3

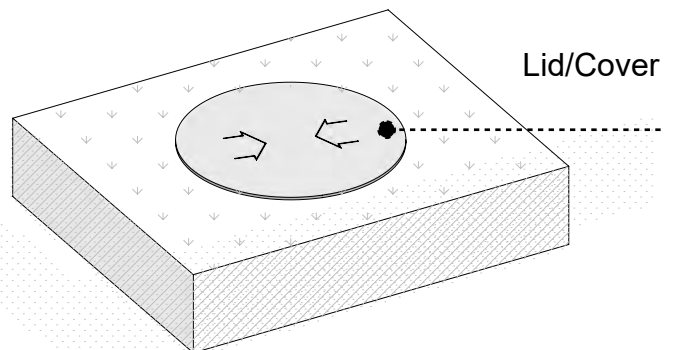
Lid/Cover



Keep lid/cover on to prevent debris from entering the sleeve.

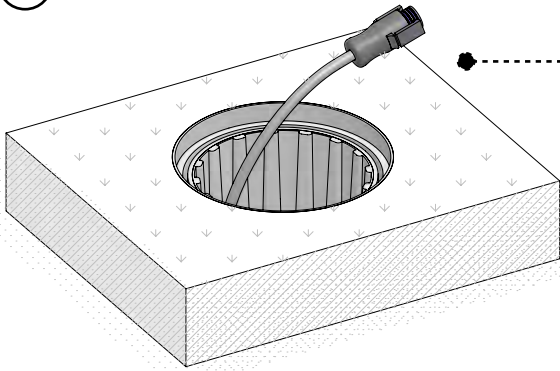
Once concrete has been poured and cured, the sleeve cover can be removed, and LED fixture can be connected and installed

4



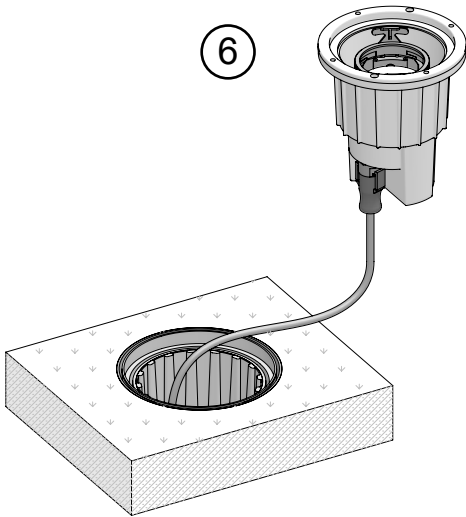
Sleeve Installation Instructions

5

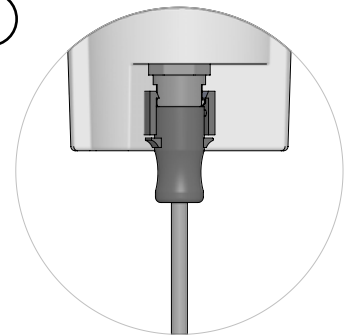


Keep power cord inside and cover sleeve to prevent debris from entering

6

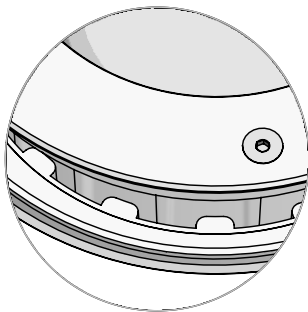


7



Make fixture connections and lock power cord onto LED fixture

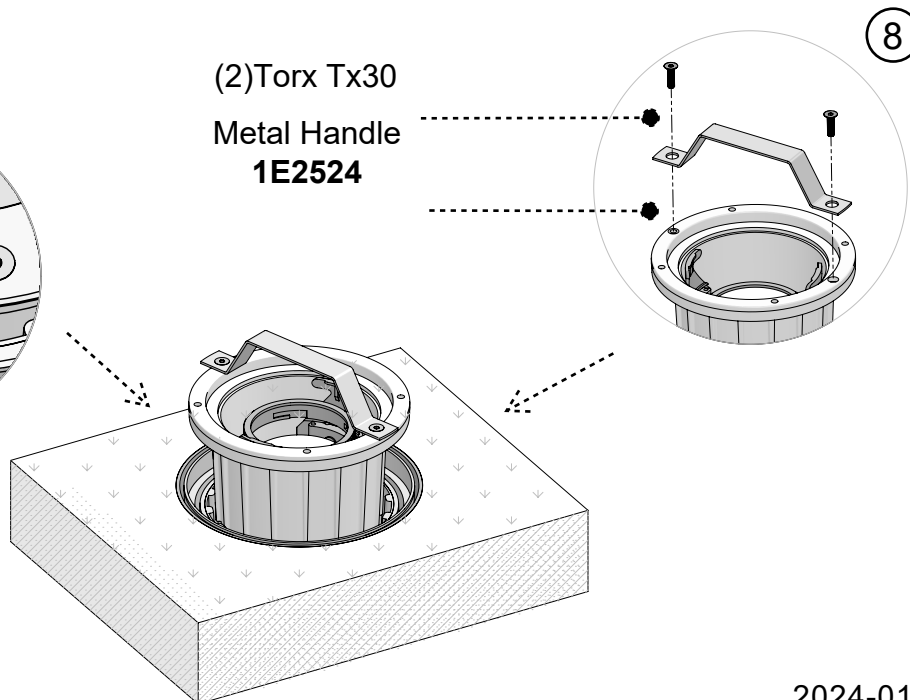
9



Insert LED fixture in at the position and angle desired.

(2) Torx Tx30
Metal Handle
1E2524

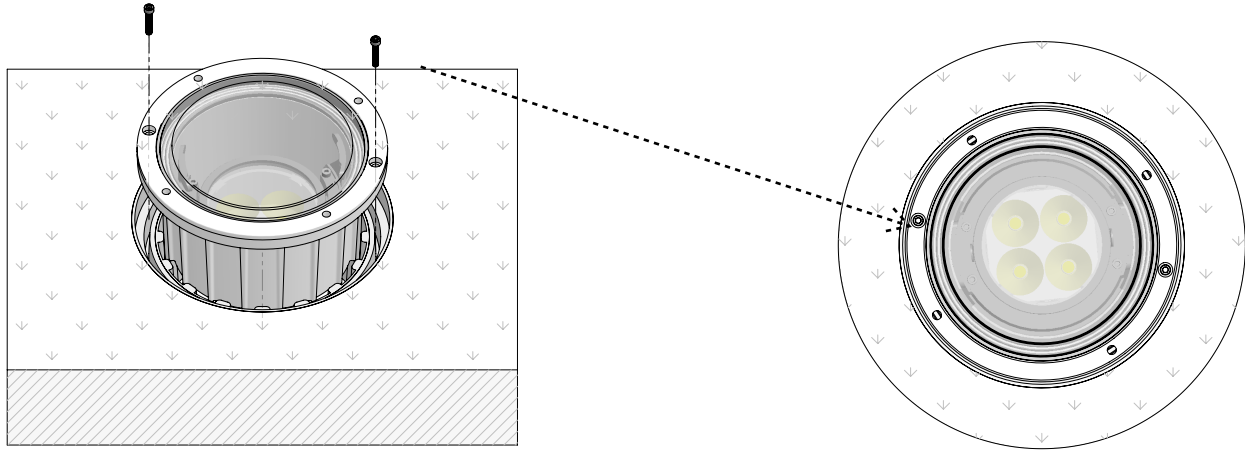
8



Fixture Positioning

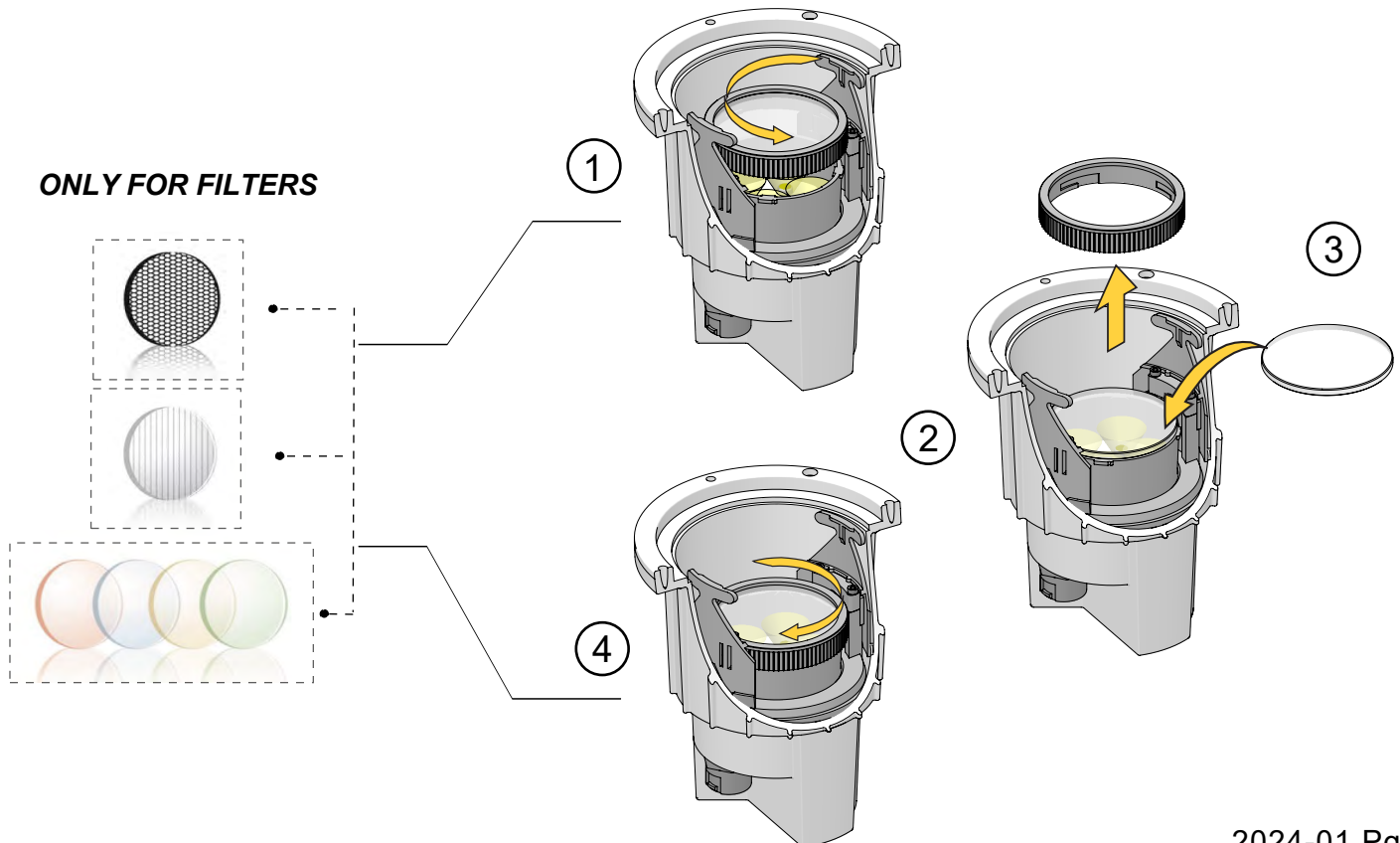
- Once fixture has been inserted into the PVC sleeve
 - Secure with the 2 screws provided in bag with LED fixture

SECURE FIXTURE TO SLEEVE Installation Sleeve attachment screws supplied with fixture, leave screws at 1 or 2 turns loose so fixture can level up to trim ring.



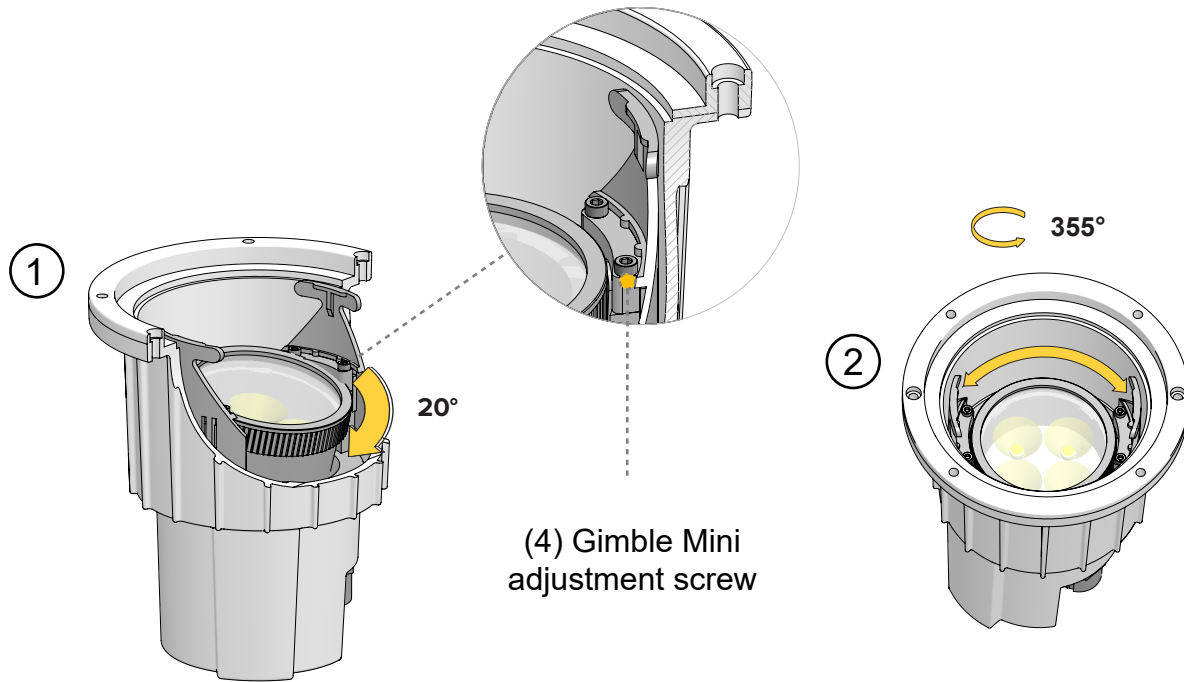
Accessories Installation

- Types of accessories
 - 'Blade of Light' linear spread lens
 - Anti-glare honeycomb louver
 - Tone filter
- Guide for installation accessories
 - Unscrew the lens cap from optics holder
 - Insert up to two filters max in the lens cap before screwing the lens cap back on the optics holder with the added filters



Optic Lens Adjustability

After installing the fixture in place, proceed to adjust the zoom optic at the desire angle and light spread optic. This can be done by simply holding the beam and turn it counter clockwise and pulling it upwards and pushing it downwards. See images below for reference.

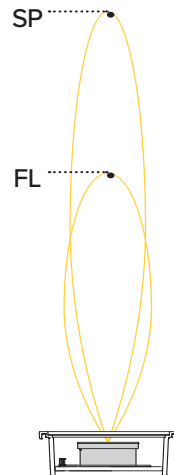


Fixture has two range of motion

Horizontal Axis: Fixtures will rotate on the horizontal plane with a range from 0 - 355°.

Vertical Axis: Fixture tilts on the vertical axis with a range from 0° centered to 20°.

After arm is set, tighten 4 ea Gimble Mini adjustment screw.

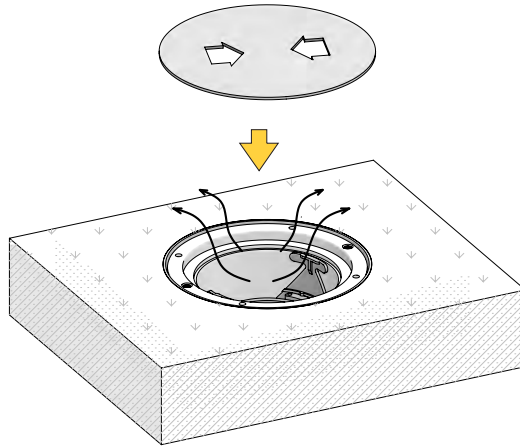


Gimbal Fixed Optic Options
Spot or Flood

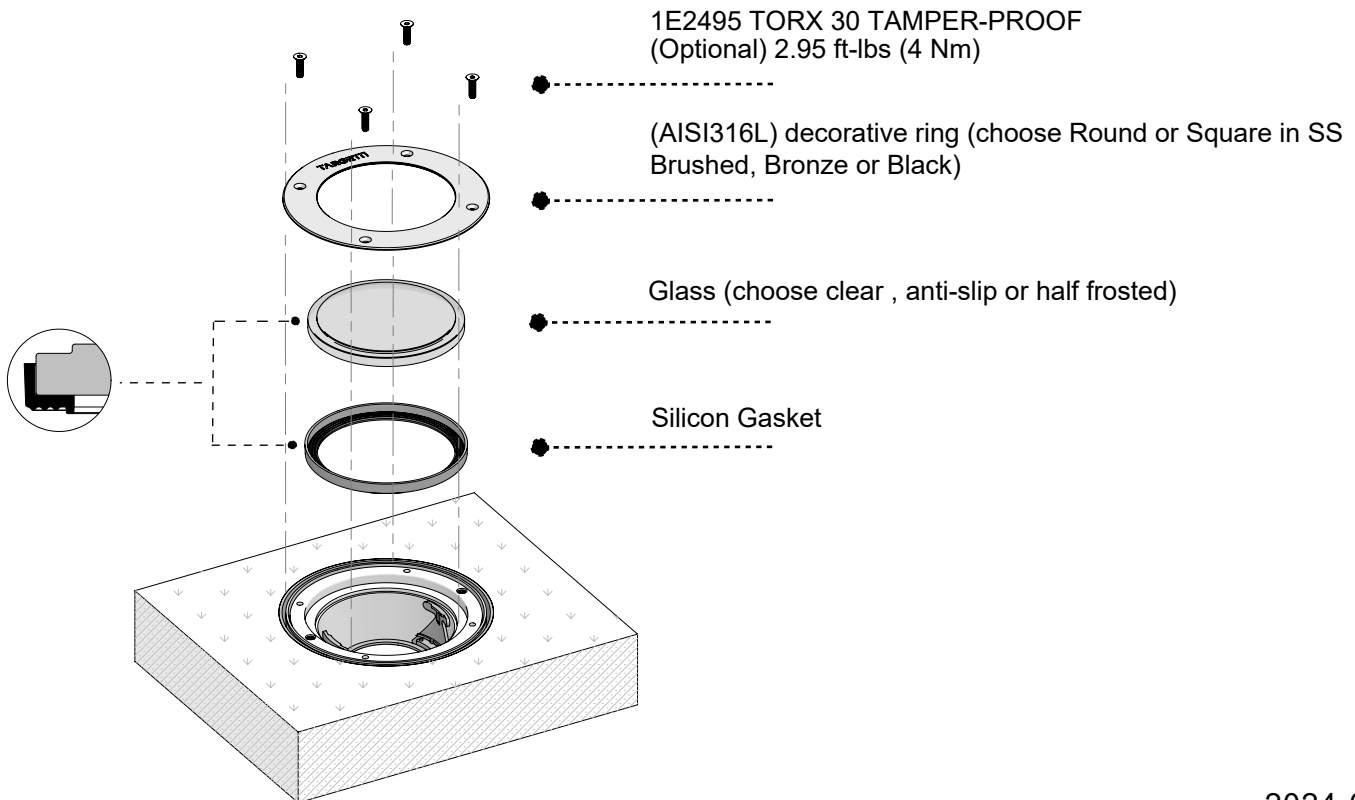
Trim Installation Instructions

Fixture comes with trim ring installed. After trim ring is removed for optics adjustment, follow these next steps to complete a successful trim ring installation:

- Use a tamper-proof torx key (sold separately/optional but recommended) to remove the trim ring, and the glass. Access the optics holder for beam spread angling.
- Once you set position of the optics to the desired lighting angle, **power on fixture and cover with supplied installation sleeve lid and let the fixture operate for 45 minutes before attaching glass and trim ring**

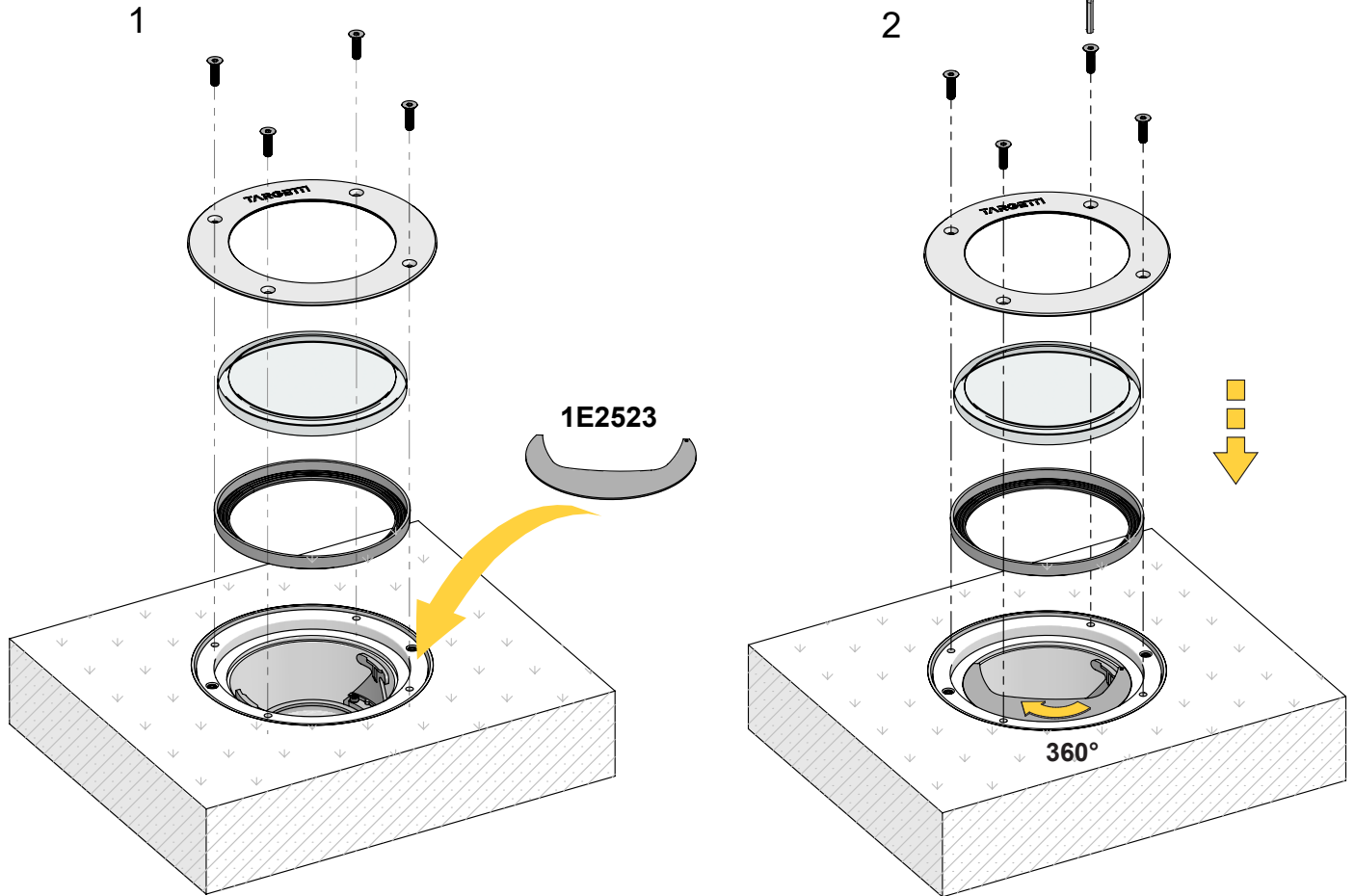
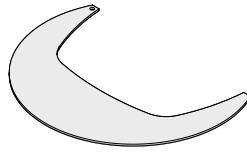


Fixture Installation



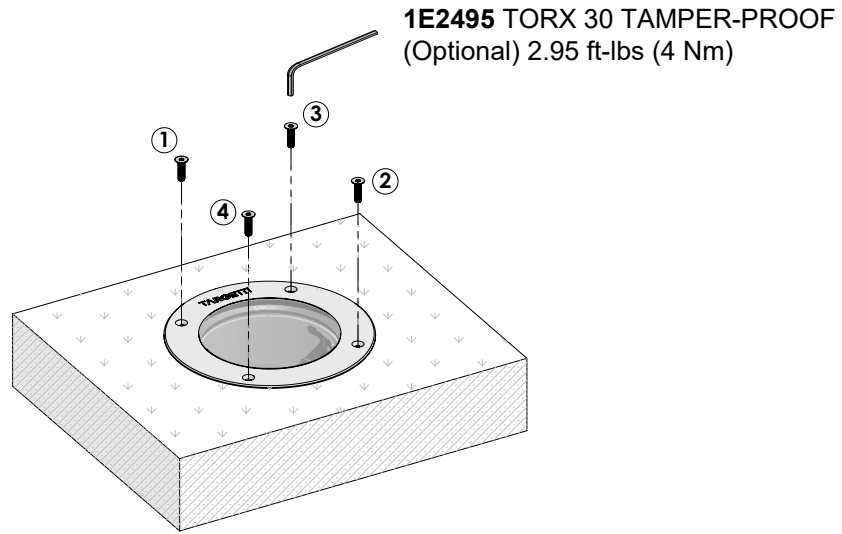
1E2523 Installation (Optional)

Integral Half Moon Anti Glare Shutter

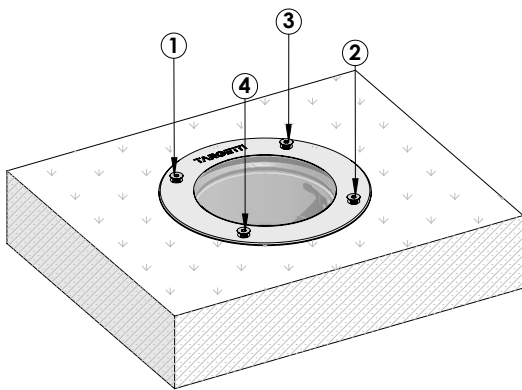


Trim Installation Instructions

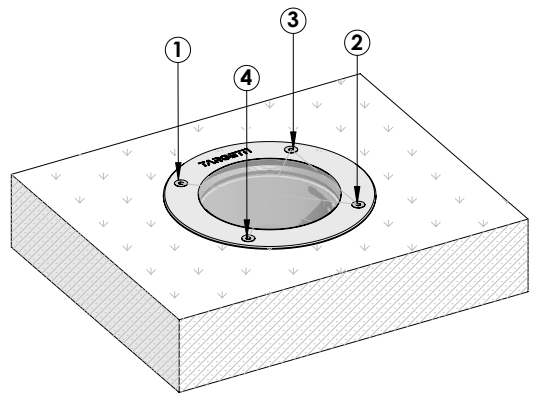
- When securing the tamper-proof torx screws
 - Apply only 2.95ft-lbs (4Nm) of torque to efficiently secure the fixture
 - Torque screws in X-box formation to provide a tight, even, and secure holding for the trim ring



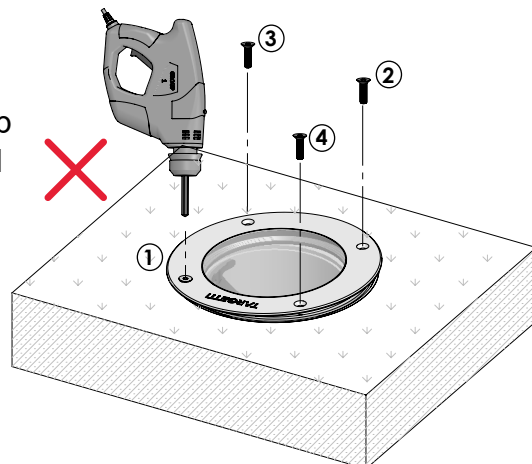
Step1:
Thread screws down in X
pattern to hold trim ring flat



Step2:
Torque screws down in X
pattern to tighten and seal

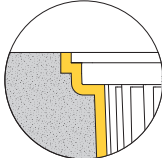


Do not use hand drill to
screw each screw to tight
one at a time This can chip
glass or bunch gasket and
prevent a proper seal

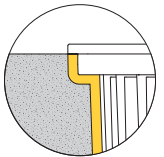
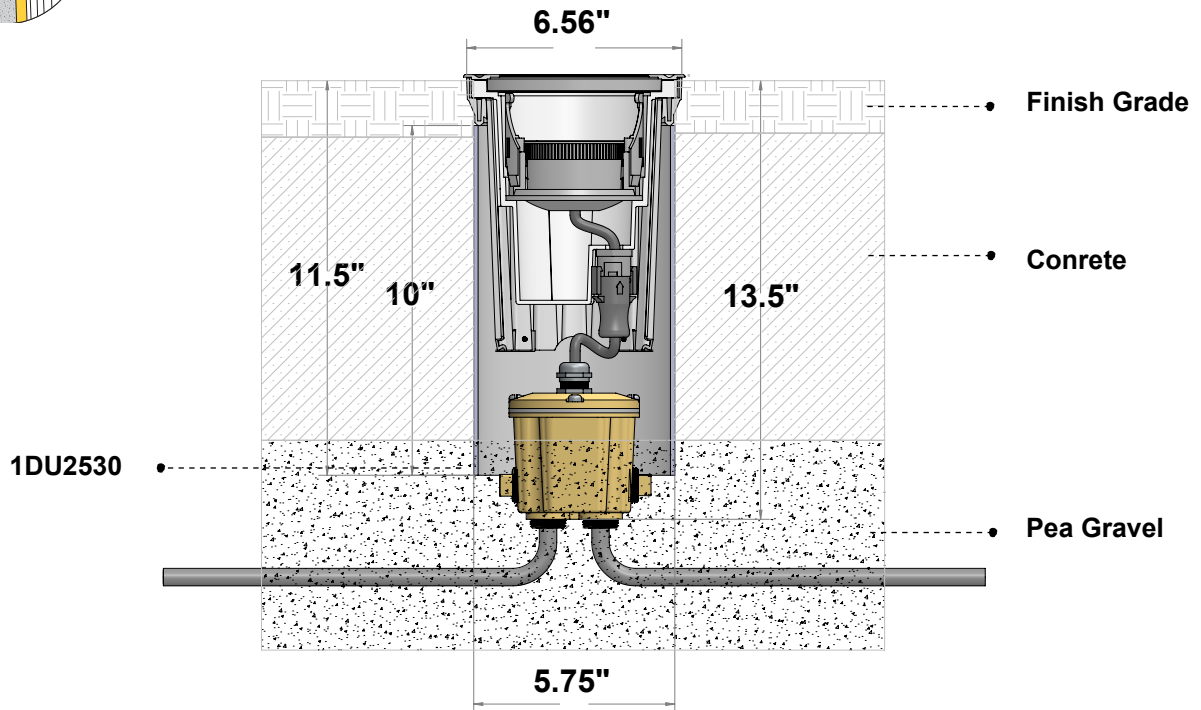


Finished Installation Examples

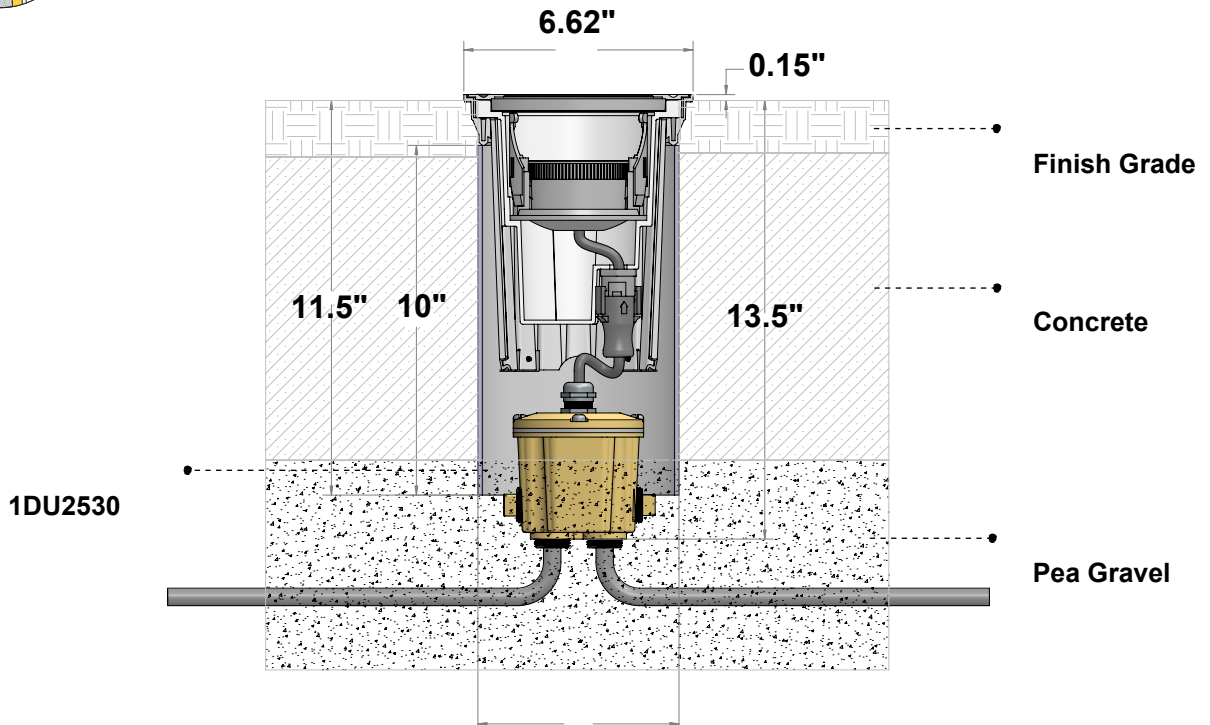
CONCRETE POUR APPLICATION



Flush Mount Sleeve Assembly
1DU2521 and 1DU2522 Sleeves

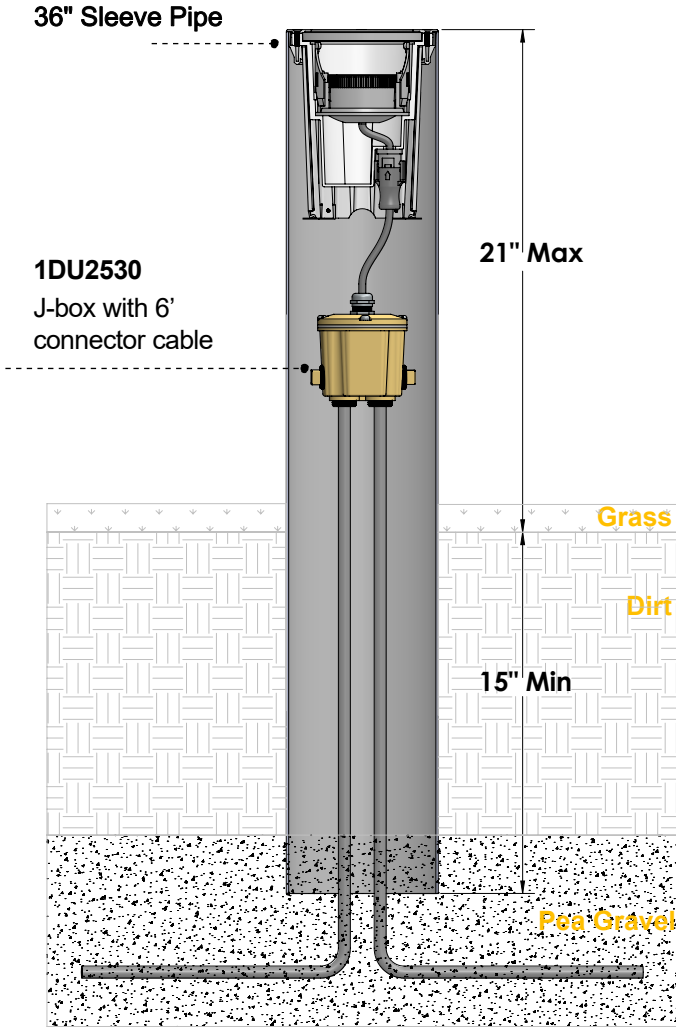


Semi-Flush Mount Sleeve
Assembly 1DU2521 Sleeve Only

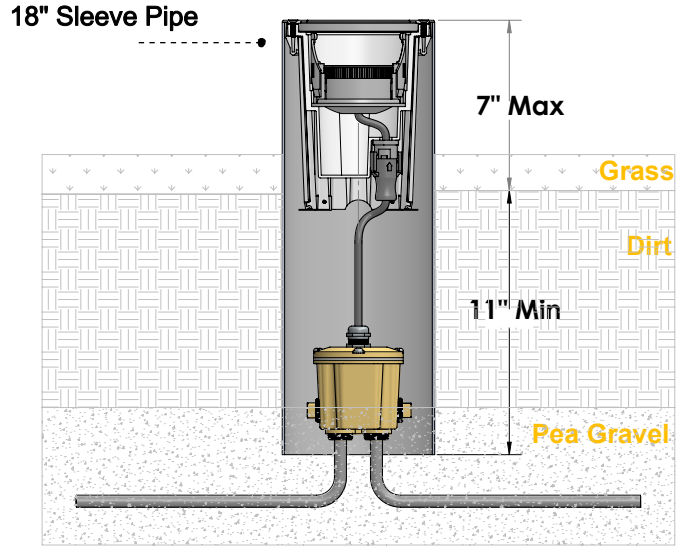


Finished Installation Examples

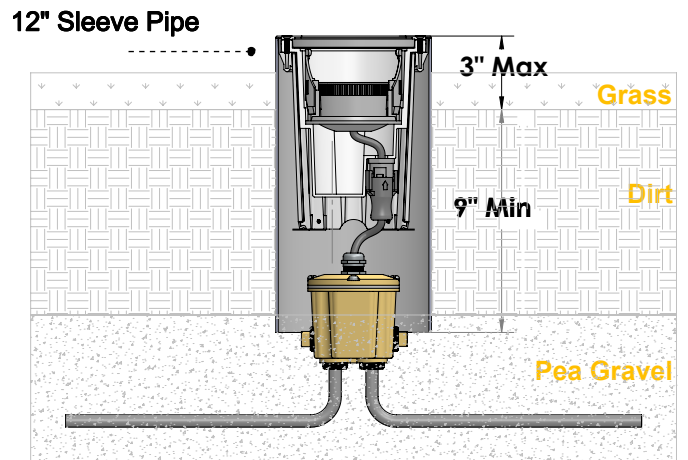
RAISED TUBE INSTALLATION ASSEMBLY
 Recommended for Landscape Installation 1DU4344
 with Round Trim ONLY



RAISED TUBE INSTALLATION ASSEMBLY
 Recommended for Ground Level Installation
 1DU434418 with Round Trim ONLY



RAISED TUBE INSTALLATION ASSEMBLY
 Recommended for Turf Installation 1DU434412 with
 Round Trim ONLY



Maintenance

This fixture was designed and manufactured for a durable, long lasting use with minimum care. To ensure the maximum lifespan of this product, we encourage our customer to provide a quality visual inspection of the fixture and installation accessories every six months. If there are any visible signs of issues (i.e moisture or dust) during the inspection, please clean any of the dust or moisture with a soft cloth and check to make sure that any of the fixtures are still operating normally. If there are any issues regarding the fixture please contact us as we will assist the situation at hand.

Support

Any questions, problems, or comments you have please feel free to contact our Customer Service department during our business hours Monday-Friday 8am-5pm via: Email: usaorders@targetti.com
Phone: (714) 513-1991

Visit our website: <http://www.targettiusa.com>