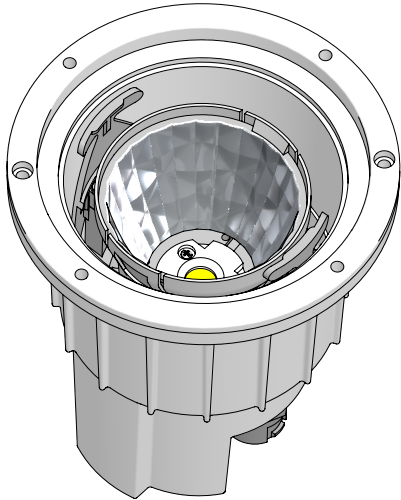




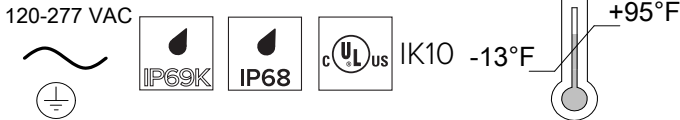
## KEPLERO MINI HIGH EFFICACY

KPLMHES-  
KPLMHEF-  
KPLMHHEM-

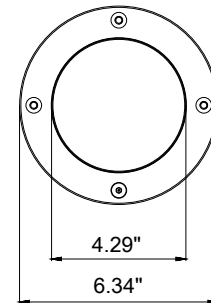
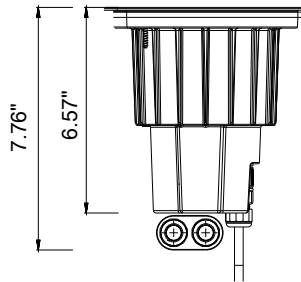
KEPLERO MINI HIGH EFFICACY (SPOT),  
FLOOD), (MWFL)



If in doubt about the symbols, please refer to catalog or website



**KEPLERO MINI HIGH EFFICACY**  
**KPLMFSHE-**



### WARNING

To ensure maximum efficiency of the product, read the following instructions thoroughly prior to installation.

**\*Please make sure the fixture is sealed correctly and the trim ring is properly tightened.**



This fixture must be installed by a licensed and qualified electrician. The installer must comply with NEC and local building codes when installing the fixture



Electrical current can cause painful shock, serious injury, or even death. Make sure you turn off the power supply, ground fixture(s), and make sure all electrical connections are correct and secured



This fixture must not be installed during rain, fog, or high humidity



For use in IP67 installations.



Keep the label of the original packaging if any eventual future claims are needed

## Table of Contents

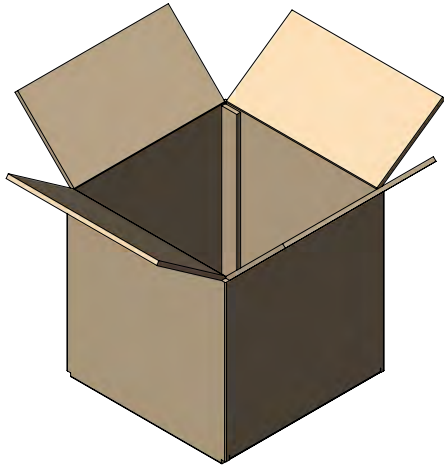
Packaging Contents  
Required Options Sold Separately Choose  
Installation Instructions  
Finished Installation Example  
Maintenance / Support

Pg.2  
Pg.3-7  
Pg.8-17  
Pg.18-19  
Pg.20

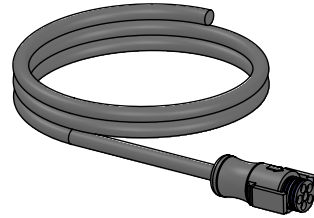
# Packaging Contents

## Keplero Mini High Efficacy

7.5"x 7.5"x 8.5" Box @2.43 lbs



Standard 4' Lead Cable



### Conductor Callout

IP68 DSM&T anti-wicking quick disconnect

Black = line voltage

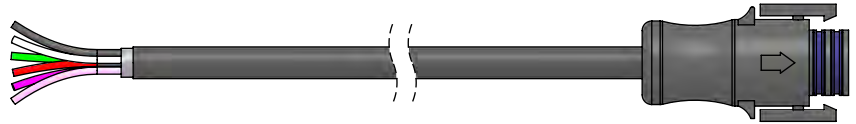
White = neutral

Green = ground

Red = Do Not Use

Purple = positive 0-10V

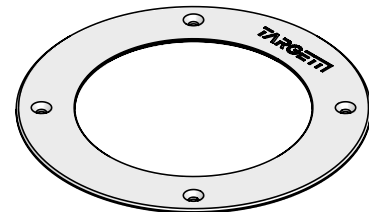
Pink = negative 0-10V



Led Fixture 1 ea.



Stainless Steel Trim Ring 1 ea.  
IK10 Glass and Gasket 1ea.



Trim ring screws 4 ea.  
(installed on fixture)

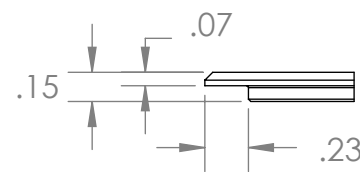
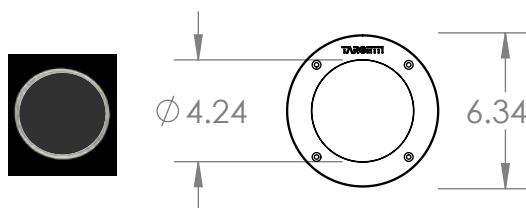
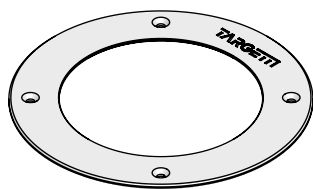


Fastening Screws 2 ea.

Note: SS Trim finish and Glass type to be specified for order (see page 3 and 4)

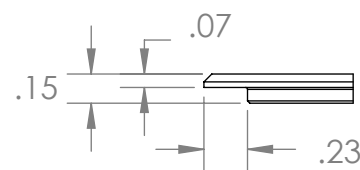
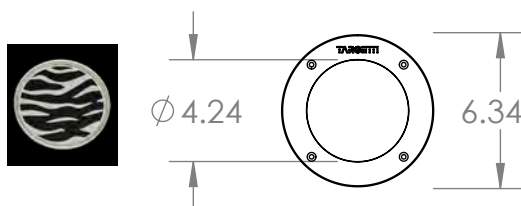
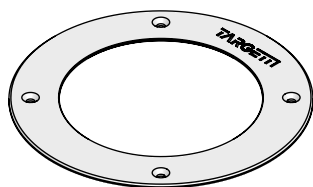
# Required Options Sold Separately Choose

## ROUND TRIM RING



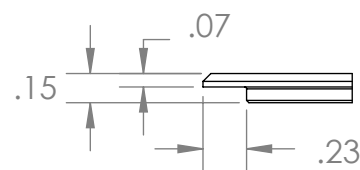
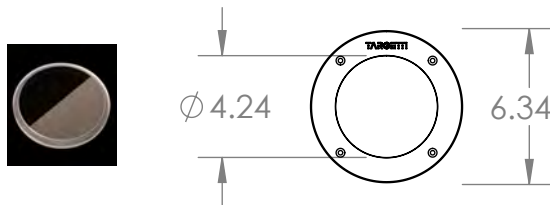
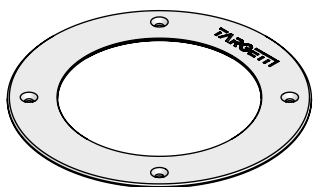
Round stainless steel (AISI316L) decorative ring. 10mm thick extra clear protective glass. Silicone gasket. Tamper proof (AISI316L) Torx screws.

<i>Finish</i>	● Brushed Natural	● Bronze PVD	● Black PVD
<i>Part No.</i>	<b>1E2525</b>	<b>1DU2525B</b>	<b>1DU2525K</b>



Round stainless steel (AISI316L) decorative ring with anti-slip glass. 10mm thick extra clear protective glass. Silicone gasket. Tamper proof (AISI316L) Torx screws.

<i>Finish</i>	● Brushed Natural	● Bronze PVD	● Black PVD
<i>Part No.</i>	<b>1DU2525A</b>	<b>1DU2525BA</b>	<b>1DU2525KA</b>

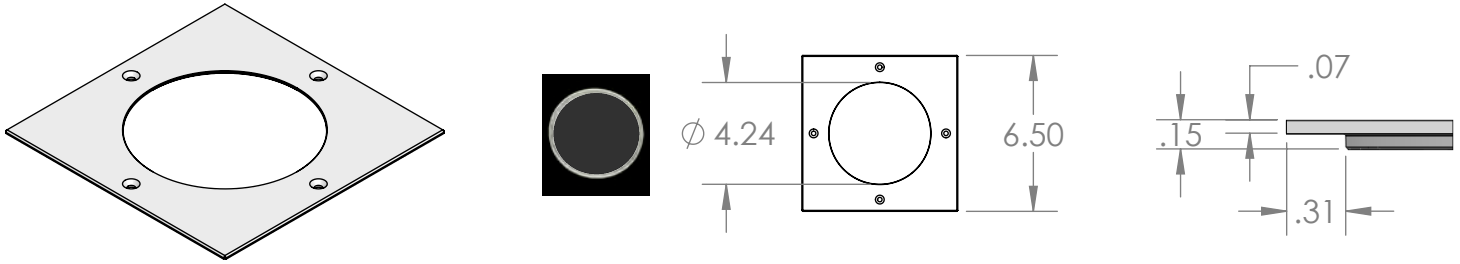


Round stainless steel (AISI316L) decorative ring with half frosted glass. 10mm thick extra clear protective glass. Silicone gasket. Tamper proof (AISI316L) Torx screws.

<i>Finish</i>	● Brushed Natural	● Bronze PVD	● Black PVD
<i>Part No.</i>	<b>1DU2525E</b>	<b>1DU2525BE</b>	<b>1DU2525KE</b>

## Required Trim Options continued

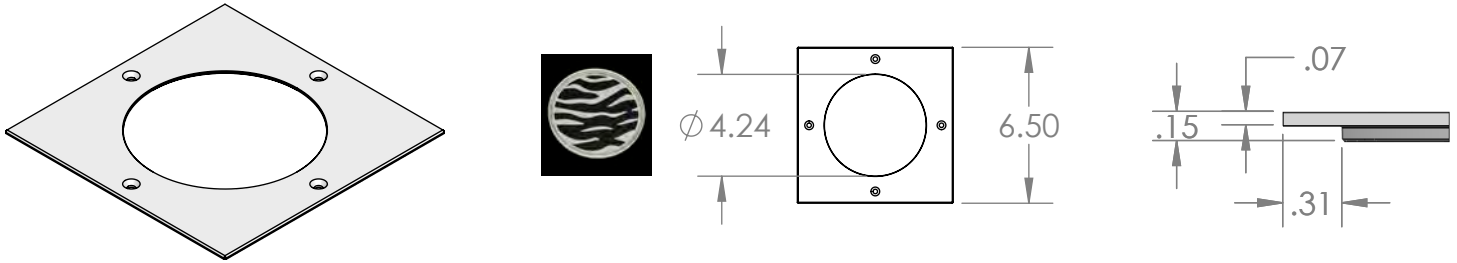
### SQUARE TRIM RING



Square stainless steel (AISI316L) decorative ring. 10mm thick extra clear protective glass. Silicone gasket. Tamper proof (AISI316L) Torx screws.

*Finish* ● Brushed Natural

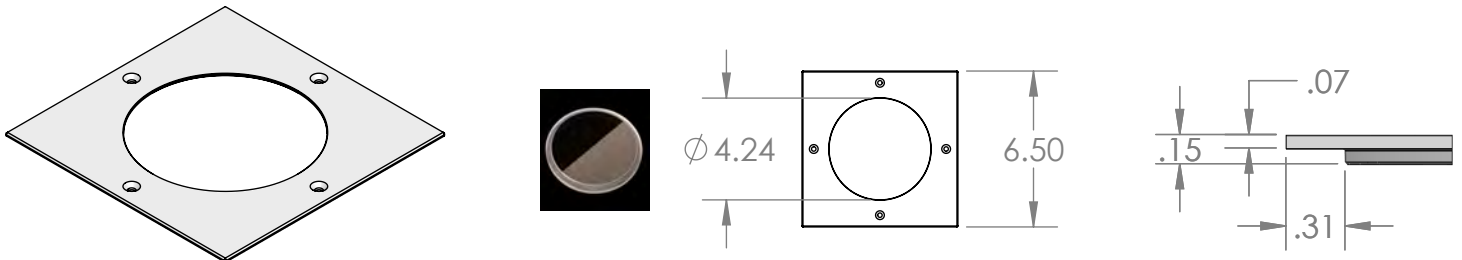
*Part No.* **1E2526**



Square stainless steel (AISI316L) decorative ring. 10mm thick extra clear protective glass. Silicone gasket. Tamper proof (AISI316L) Torx screws.

*Finish* ● Brushed Natural

*Part No.* **1DU2526A**

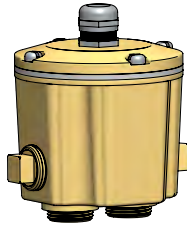


Square stainless steel (AISI316L) decorative ring. 10mm thick extra clear protective glass. Silicone gasket. Tamper proof (AISI316L) Torx screws.

*Finish* ● Brushed Natural

*Part No.* **1DU2526E**

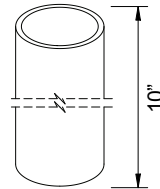
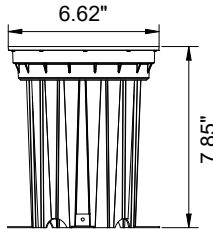
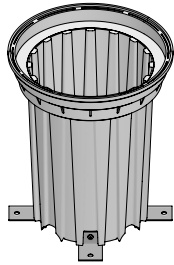
## In Grade J - Box Required



Direct burial brass ingrade j-box. Features stainless steel cover screws and strain relief for power cord, (2) 3/4" NPT bottom holes and (2) 3/4" NPT side holes. Includes (4) 3/4" to 1/2" adapters and (2) 1/2" NPT plugs **(REQUIRED by NEC)**.

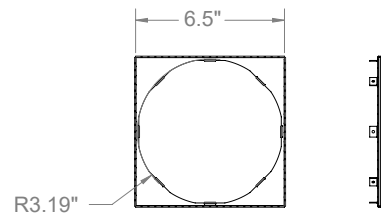
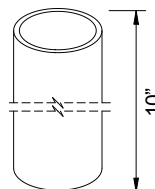
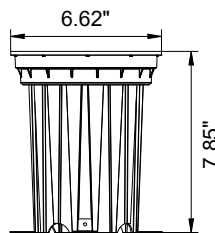
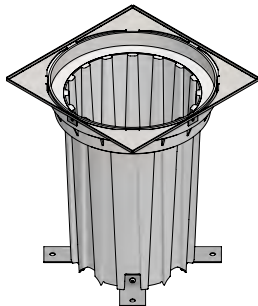
Part No. **1DU2530**

## Required Installation Sleeve Options Choose



Installation sleeve for concrete pour applications. Grey Nylon Sleeve with 10" PVC installation outer pipe. For flush or semi-flush installations. **Requires use of 1DU2530 by NEC.**

Part No. **1DU2521**

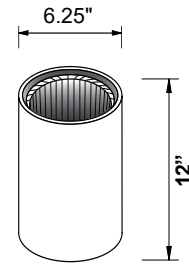


Installation sleeve for concrete pour applications. Grey Nylon Sleeve and stainless steel support bracket with 10" PVC installation outer pipe. Square ring for flush installation only. **For use with square trim options only. Requires use of 1DU2530 by NEC.**

Part No. **1E2522**

**1DU2522**

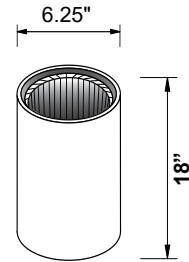
## Required Installation Sleeve Options Continued



At grade or raised installation sleeve for turf or ground cover applications. **12”H** stainless steel, includes factory pre-installed inner PVC installation sleeve. **To be used with round trim options only. Not suitable for use with 1DU2521 or 1DU2522.** (Field cuttable. Used for fixture elevations at grade to 3” above grade). **Requires use of 1DU2530 by NEC.**

*Finish* ● Deep Black

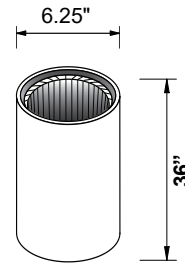
*Part No.* 1DU434412



Raised installation sleeve for ground cover (succulents and low level planting) applications. **18”H** stainless steel, includes factory pre-installed inner PVC sleeve. **To be used with round trim options. Not suitable with 1DU2521 or 1DU2522.** (Field cuttable. Used for fixture elevation 3” to 7” above grade). **Requires use of 1DU2530 by NEC.**

*Finish* ● Deep Black

*Part No.* 1DU434418



Raised installation sleeve for landscape applications. **36”H** stainless steel, includes factory pre-installed inner PVC sleeve. **To be used with round trim options. Not suitable with 1DU2521 or 1DU2522.**

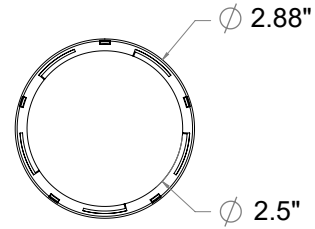
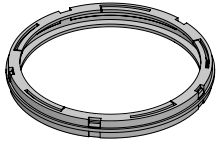
(Field cuttable. Used for fixture elevation 7” to 21” above grade). **Requires use of 1DU2530 by NEC.**

*Finish* ● Deep Black

*Part No.* 1DU434436

# Optical Accessories (Optional)

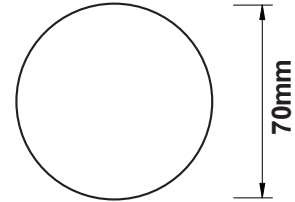
MAXIMUM OF ONE OPTICAL FILTER OR LOUVER ACCESSORY PER FIXTURE



Transparent polycarbonate holder ring for the accessories.

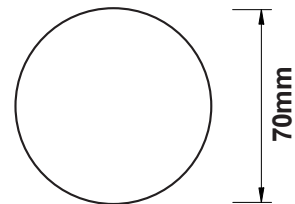
**Required for use of all filters and glare grid.**

*Part No.*            **1E2523**



'Blade of Light' linear spread lens. Parallel ribbed glass.

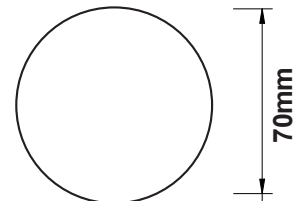
*Part No.*    **1T1708**



Anti-glare honeycomb louvre with lacquered metal structure.

*Finish*        ●    Deep Black

*Part No.*        **1T1711**

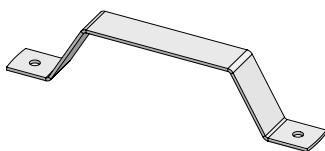


Tone filter. Glass filter to vary the color temperature of light.

*Finish*            Peach Tone    Cold Tone    Gold Tone

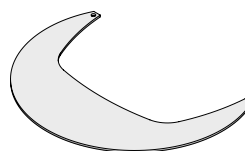
*Part No.*            **1T1759**        **1T1777**        **1T1786**

## Installation (Optional)



Fixture metal maintenance removal handle. Helpful one per 10 fixtures.

*Part No.*    **1E2524**



Integral half moon anti glare shutter. Can be used as one per fixture with a filter or louvre, not considered as part of the maximum optical accessories.

*Finish*        ●    Deep Black

*Part No.*        **1E2523**

# Keplero Mini Installation

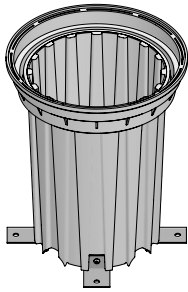
Keplero Mini is available with an integrated electronic 4/1 dimming (Non-Dimming / 0-10V / Reverse Phase / Forward Phase) 120-277V driver.



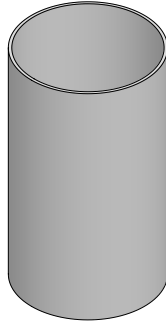
**Keplero Mini High Efficacy**



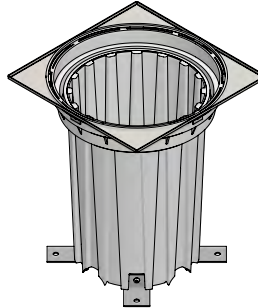
**Installation Sleeve**



**1DU2521**



OR

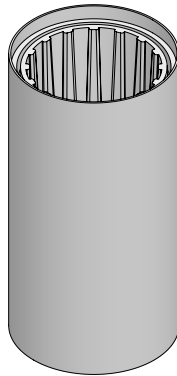


**1DU2522**

OR

**Raised Installation Sleeve**

**1DU434412  
1DU434418  
1DU434436**



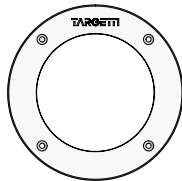
12" / 18" / 36" heights available



**Stainless Steel Trim Ring**

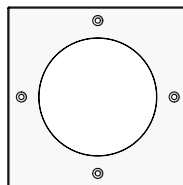
All the rings can be installed flush or semi-flush by simply removing the insertion collar from the PVC installation sleeve.

Square trim ring only available for recessed installation, not for use with raised tube.

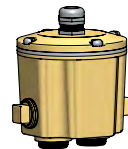


**1E2525  
1DU2525A  
1DU2525E**

OR



**1E2526  
1DU2526A  
1DU2526E**



**In Grade J - Box Required**



# Sleeve Installation Instructions

## IN GRADE INSTALLATION

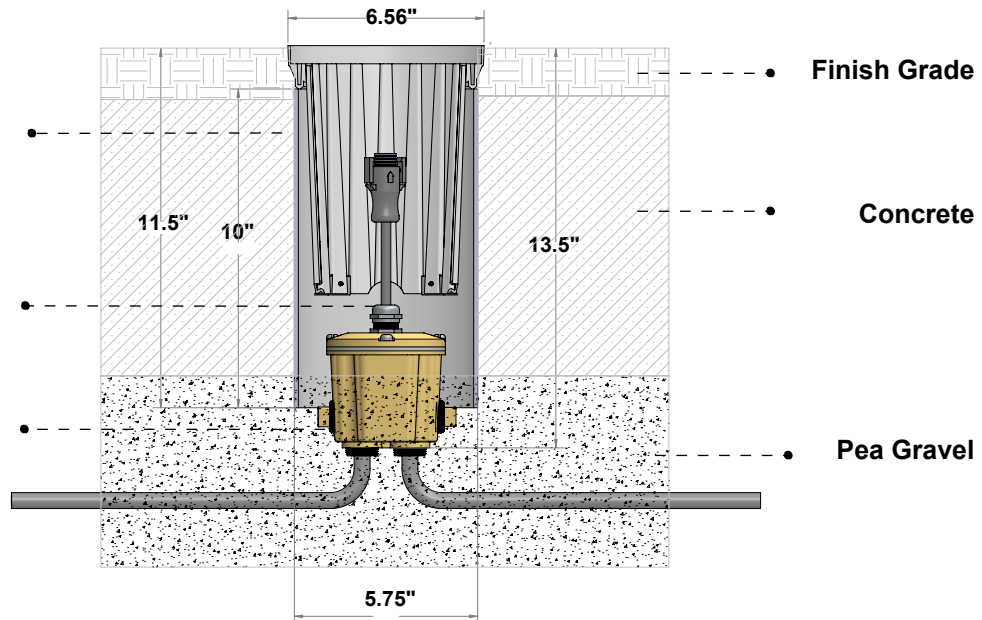
- Installers will dig out trenches to prep the PVC tube
  - Put gravel in the trenches for the J-Box
  - Requirement by UL for adequate drainage
  - Safety net covers below the J-Box and the conduit pipe to warn diggers what is below
- Position of the J-Box must be an accessible depth between 8.5-11.5" required for maintenance
- Insert the PVC pipe with the installation sleeve
  - The gap between the end of the PVC pipe and the middle of the J-Box should have enough room to fix the power cord to be installed with enough slack to remove the fixture while connected
  - Tube is field cut adjustable for accessibility



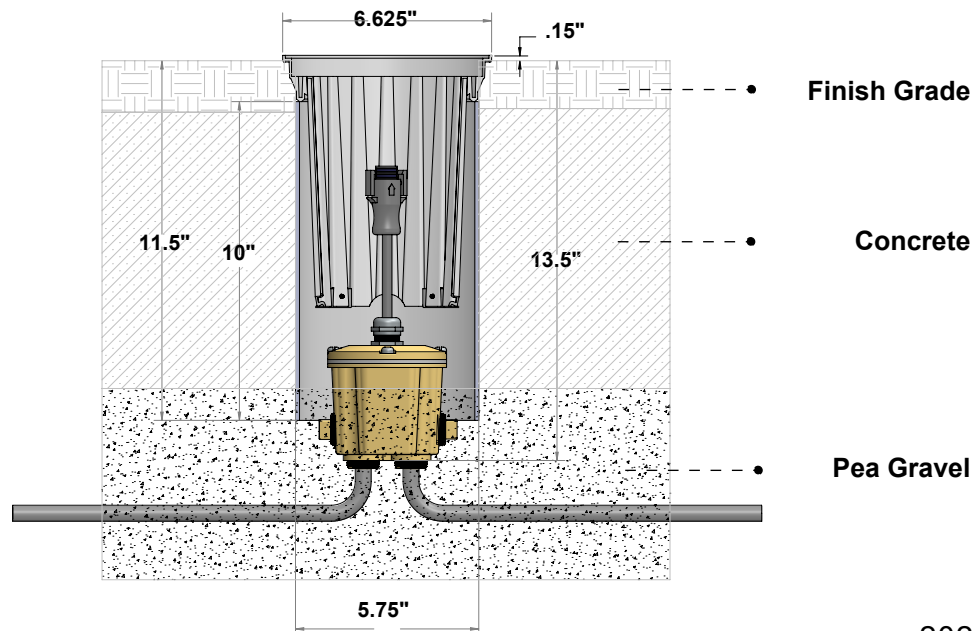
1DU2521

\*Power Cord to be installed with enough slack to remove fixture while connected

In Grade Junction Box with 4 Foot Power Cord COD. 1DU2530.

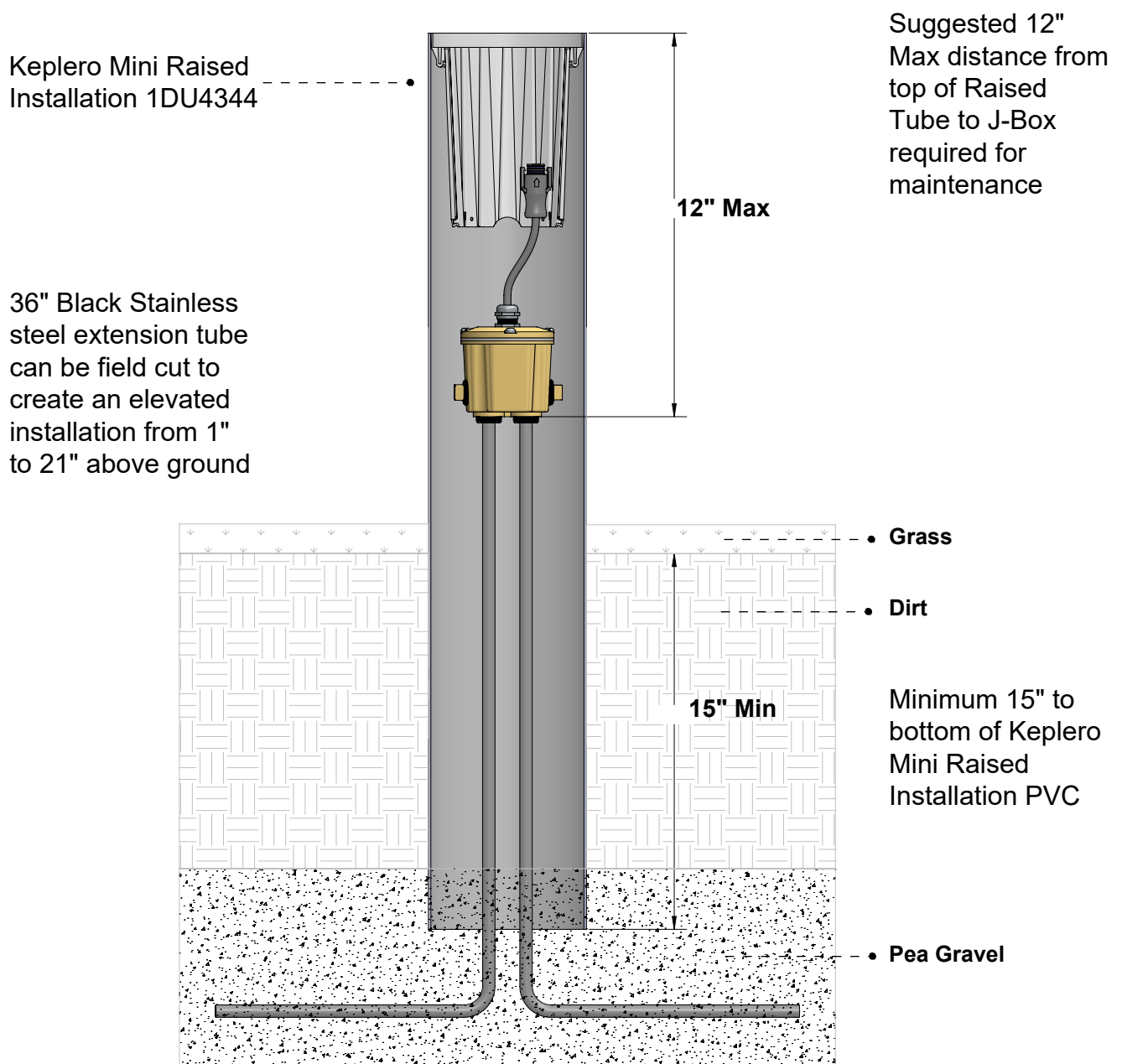


- If installation requires semi-flushed installation
  - Break off outer ring of installation sleeve for 0.15" raise
  - Fixture will rest above the sleeve for a covered look



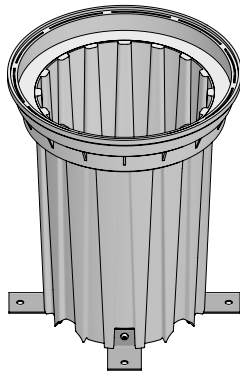
# Sleeve Installation Instructions

- For low voltage dimming feature
  - Provide a separate PVC conduit through the gravel to provide a run for all fixtures with dimming for parallel circuiting installation
- For Raised Installation
  - Installers will dig out trenches to prep the PVC tube
  - Minimum 12.75" from bottom of raised installation sleeve to ground level Installers will dig out trenches to prep the PVC Insert the PVC pipe with the installation sleeve
  - PVC pipe for raised installation is 36" total This allows the extension PVC tube to be field cut to create an elevated installation with a range of 1" to 23"



# Sleeve Installation Instructions

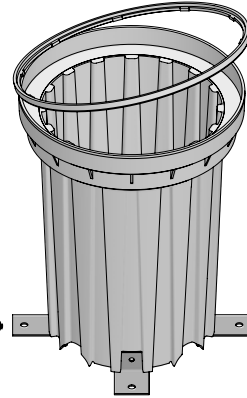
1



Remove L Bracket for use with 10" PVC extension pipe

Do not break-off outer ring for flush installation

2

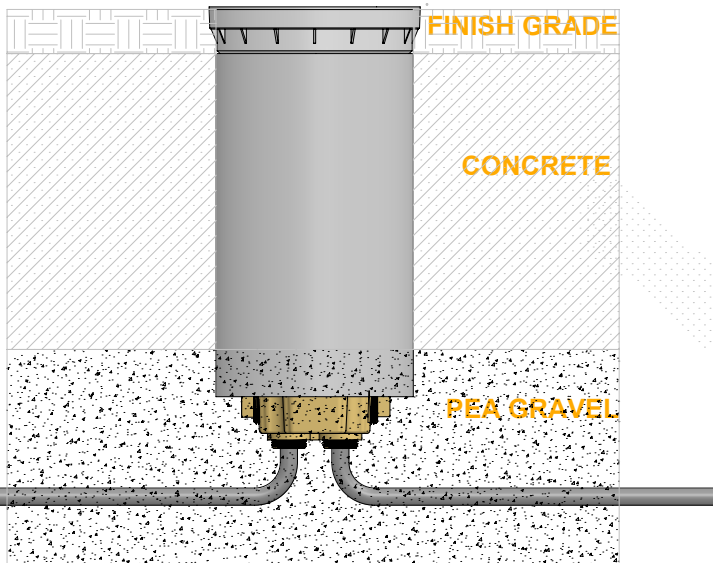


Break-off outer ring for semi-flush installation

Insert Sleeve with PVC pipe into position keeping power cord safe

3

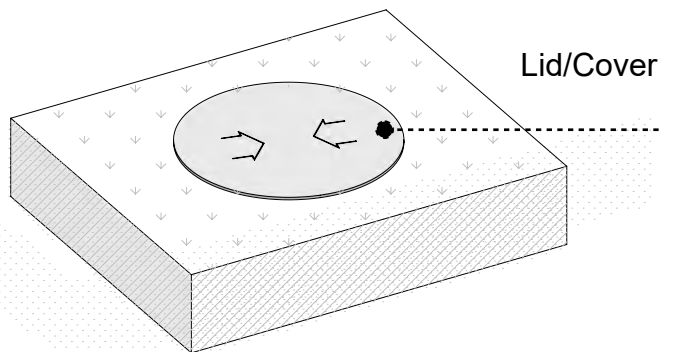
Lid/Cover



Keep lid/cover on to prevent debris from entering the sleeve.

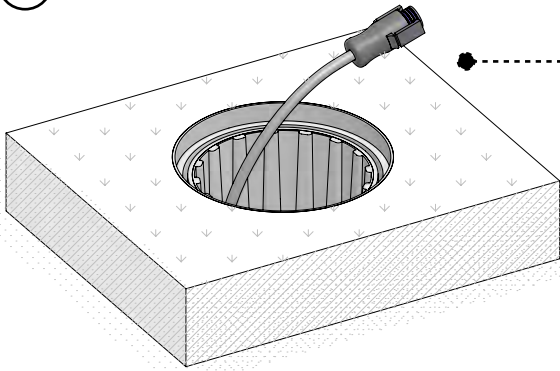
Once concrete has been poured and cured, the sleeve cover can be removed, and LED fixture can be connected and installed

4



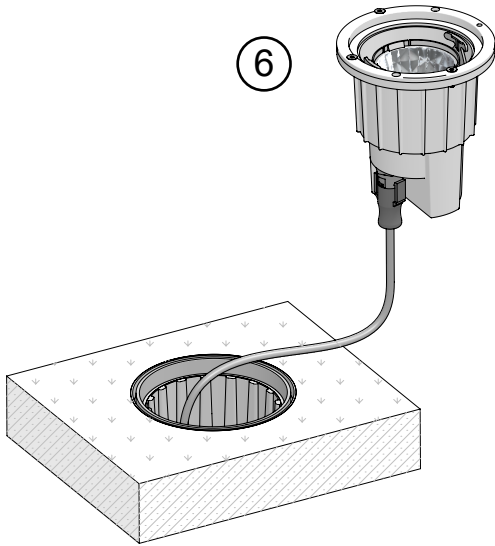
# Sleeve Installation Instructions

5

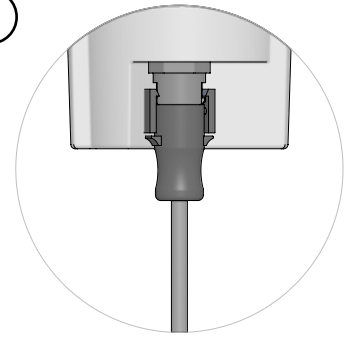


Keep power cord inside and cover sleeve to prevent debris from entering

6

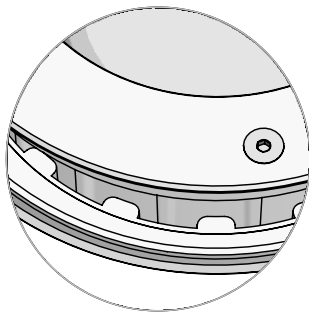


7



Make fixture connections and lock power cord onto LED fixture

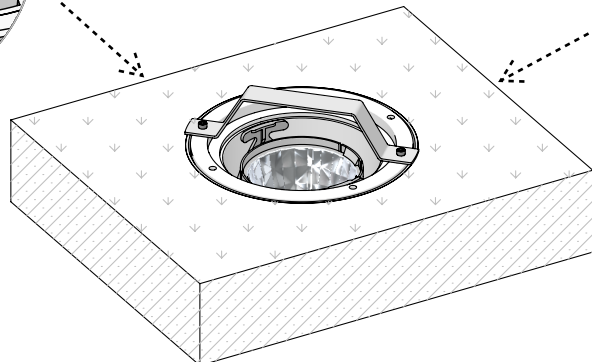
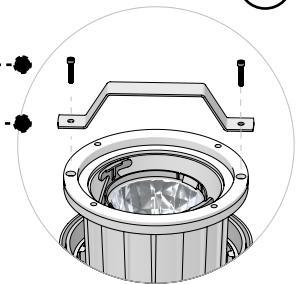
9



Insert LED fixture in at the position and angle desired.

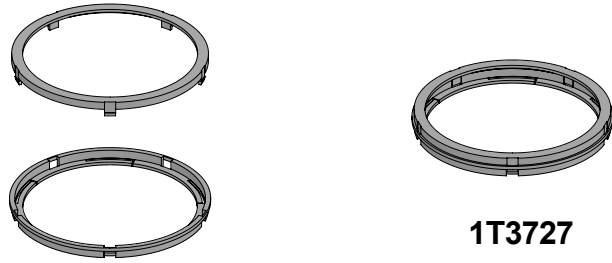
(2) Torx Tx30  
Metal Handle  
**1E2524**

8



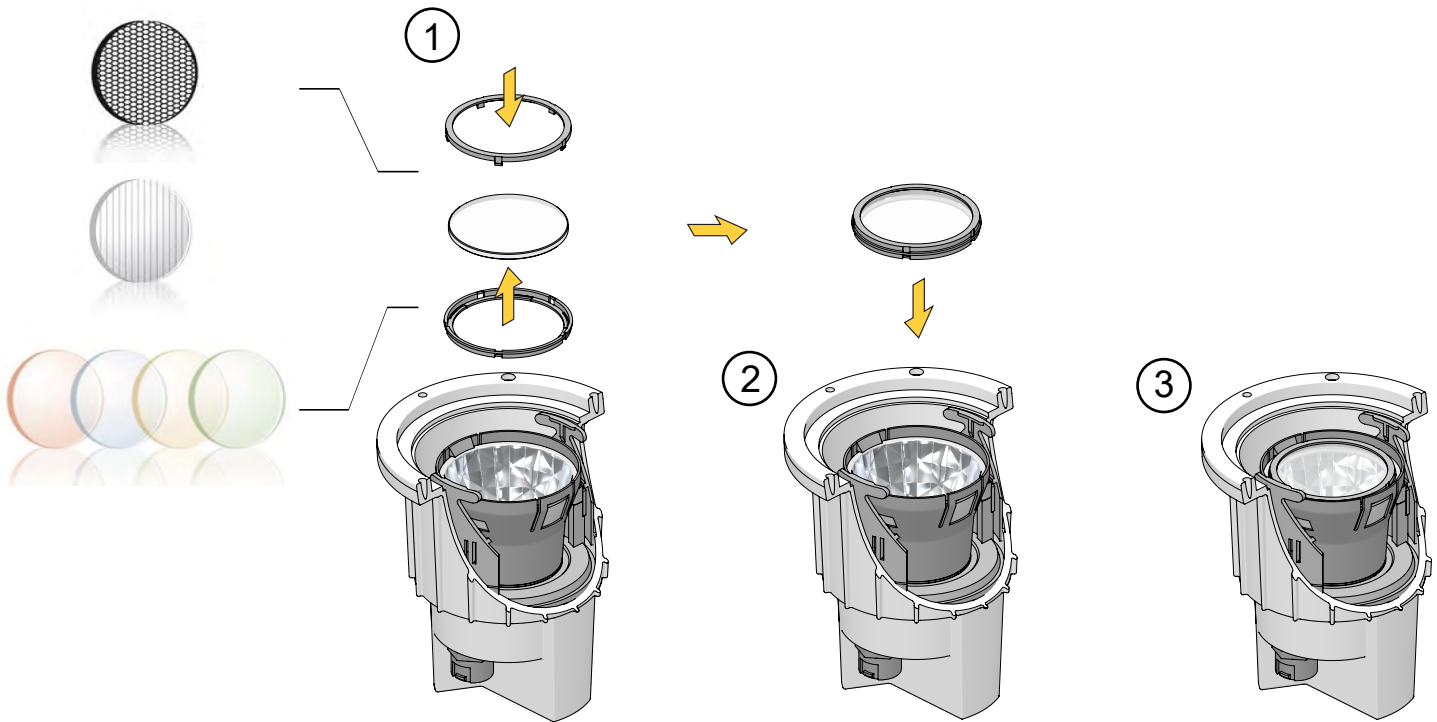
# Accessories Installation

Transparent polycarbonate holder ring for the accessories (optional).  
Required for use of all filters and glare grid .



- Types of accessories

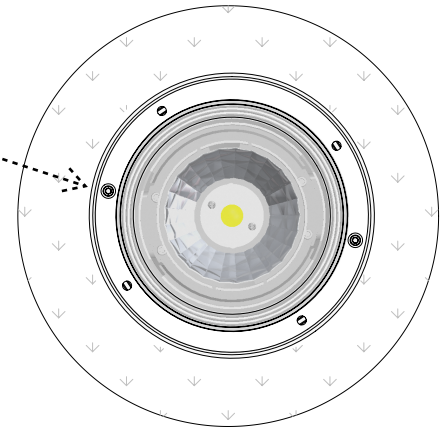
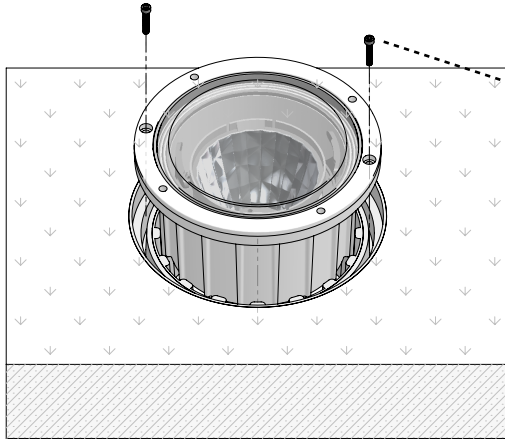
- 'Blade of Light' linear spread lens
- Anti-glare honeycomb louver
- Tone filter



# Fixture Positioning

- Once fixture has been inserted into the PVC sleeve
  - Secure with the 2 screws provided in bag with LED fixture

**SECURE FIXTURE TO SLEEVE**  
 Installation Sleeve attachment screws supplied with fixture, leave screws at 1 or 2 turns loose so fixture can level up to trim ring.



## Optic Lens Adjustability

After installing the fixture in place, proceed to adjust the zoom optic at the desire angle and light spread optic. This can be done by simply holding the beam and turn it counter clockwise and pulling it upwards and pushing it downwards. See images below for reference.



**High Efficacy Fixed Optic Options**  
 Spot, Flood or Medium Wide Flood

*Fixture has two range of motion*

**Horizontal Axis:** Fixtures will rotate on the horizontal plane with a range from 0 - 350°.

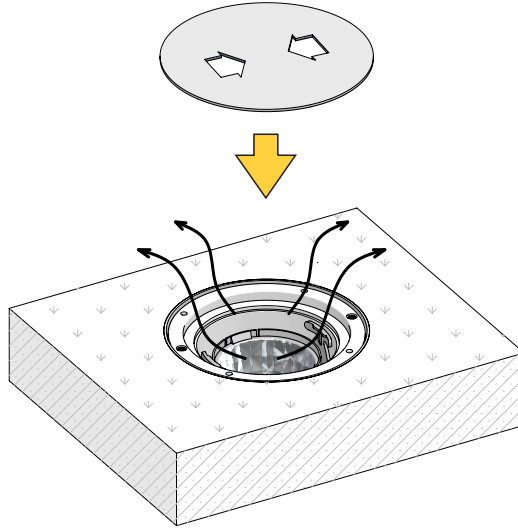
**Vertical Axis:** Fixture tilts on the vertical axis with a range from 0° centered to 20° or -20° tilt accessibility.

**After arm is set, tighten 4 ea High Efficacy Mini adjustment screw.**

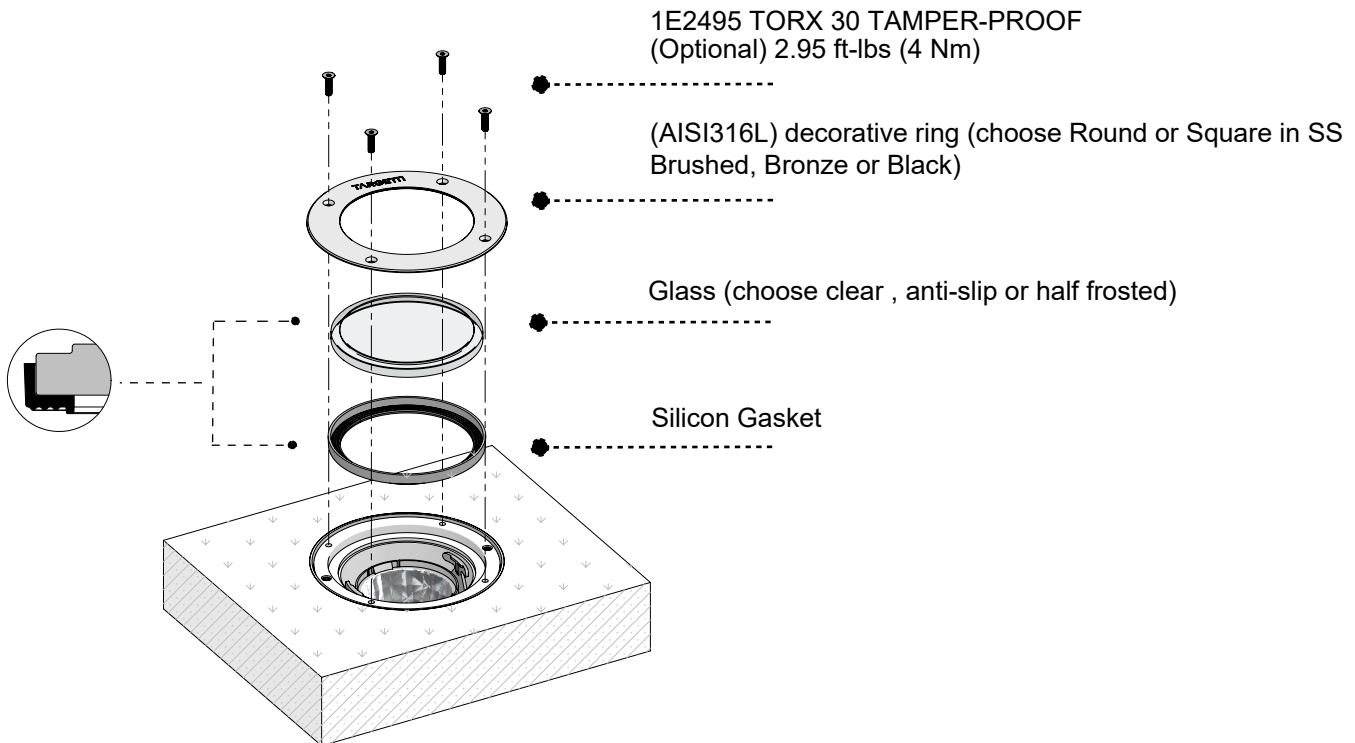
# Trim Installation Instructions

**Fixture** comes with trim ring installed. After trim ring is removed for optics adjustment, follow these next steps to complete a successful trim ring installation:

- Use a tamper-proof torx key (sold separately/optional but recommended) to remove the trim ring, and the glass. Access the optics holder for beam spread angling.
- Once you set position of the optics to the desired lighting angle, **power on fixture and cover with supplied installation sleeve lid and let the fixture operate for 45 minutes before attaching glass and trim ring**

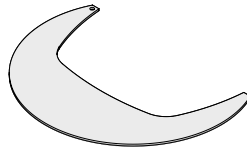


## Fixture Installation

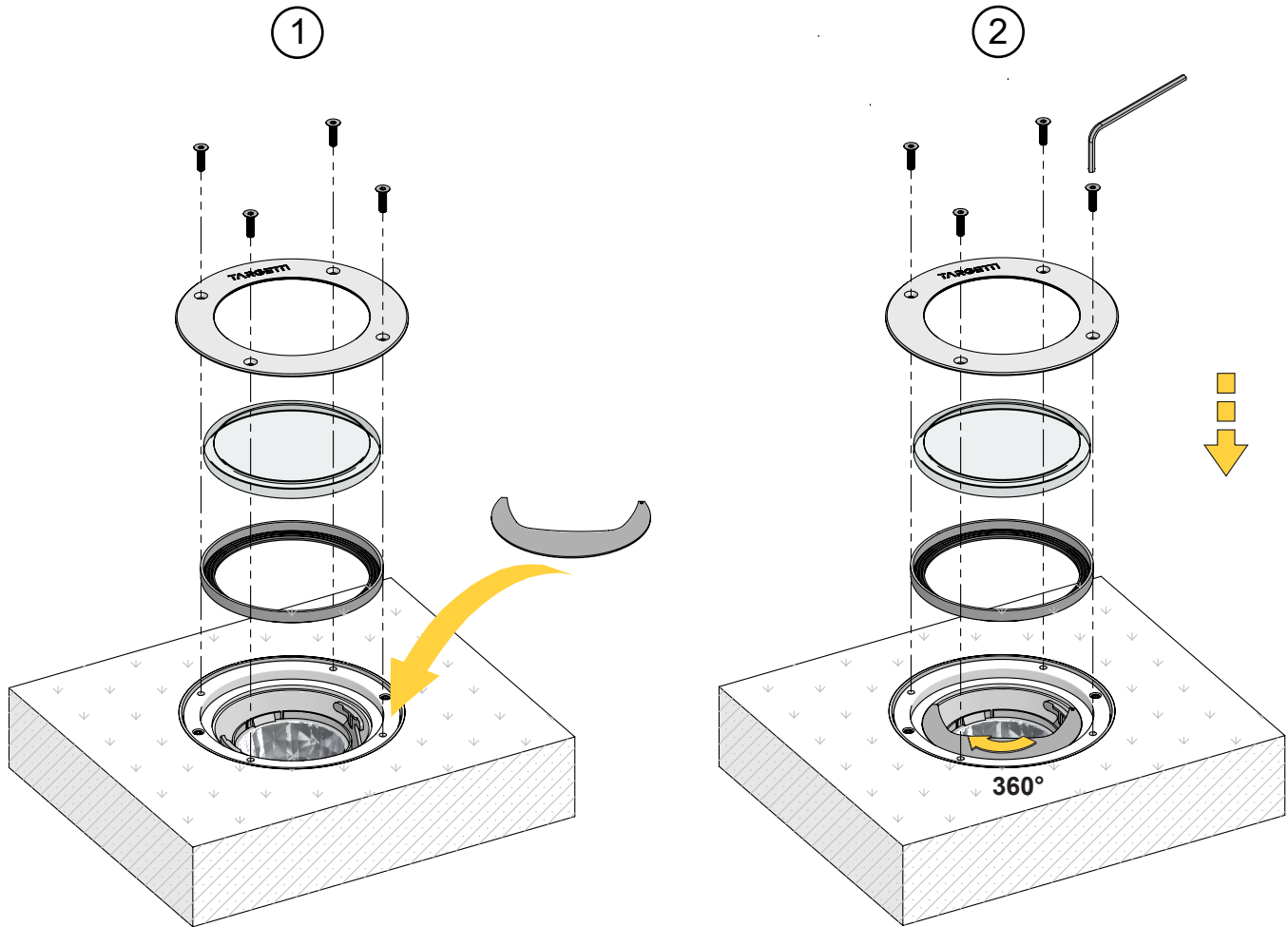


# 1E2523 Installation (Optional)

## Integral Half Moon Anti Glare Shutter



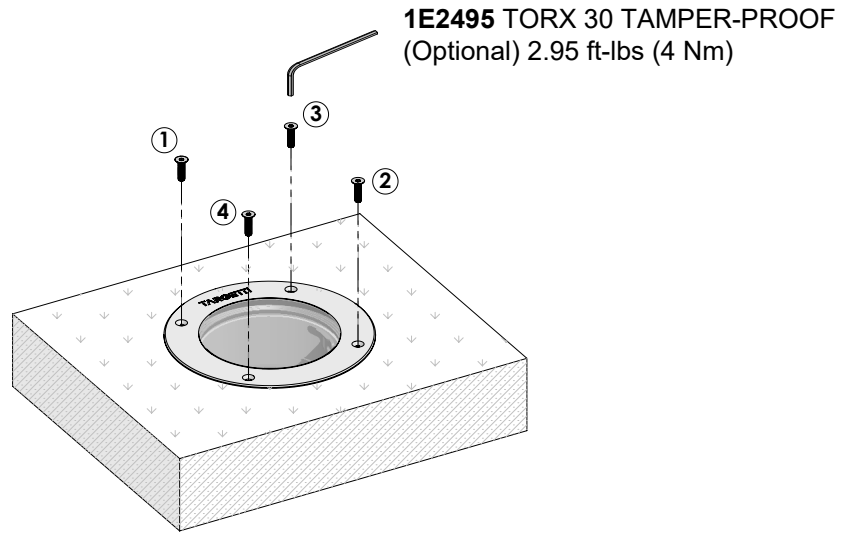
1E2523



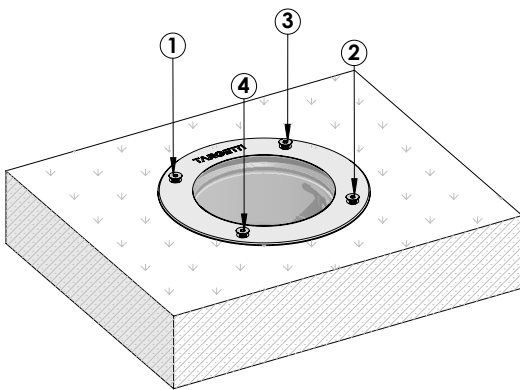


# Trim Installation Instructions

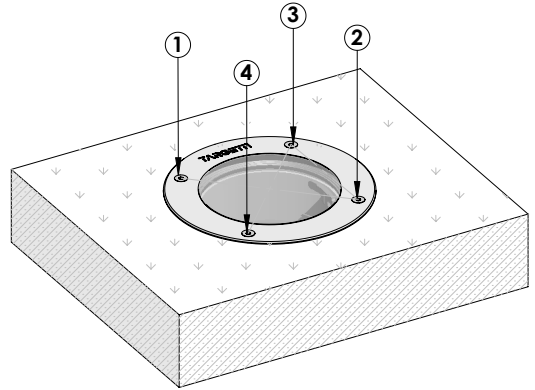
- When securing the tamper-proof torx screws
  - Apply only 2.95ft-lbs (4Nm) of torque to efficiently secure the fixture
  - Torque screws in X-box formation to provide a tight, even, and secure holding for the trim ring



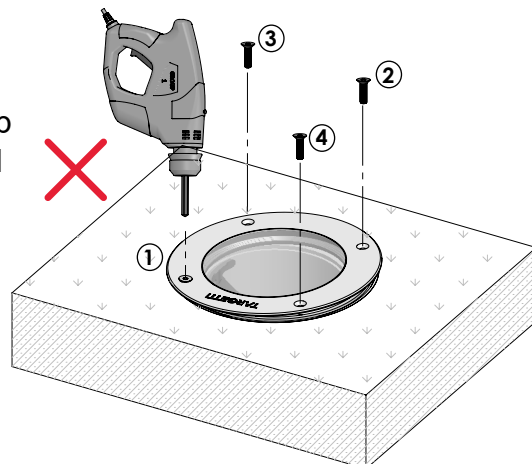
**Step1:**  
Thread screws down in X  
pattern to hold trim ring flat



**Step2:**  
Torque screws down in X  
pattern to tighten and seal

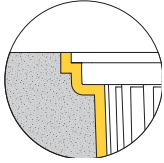


Do not use hand drill to  
screw each screw to tight  
one at a time This can chip  
glass or bunch gasket and  
prevent a proper seal

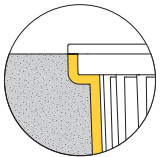
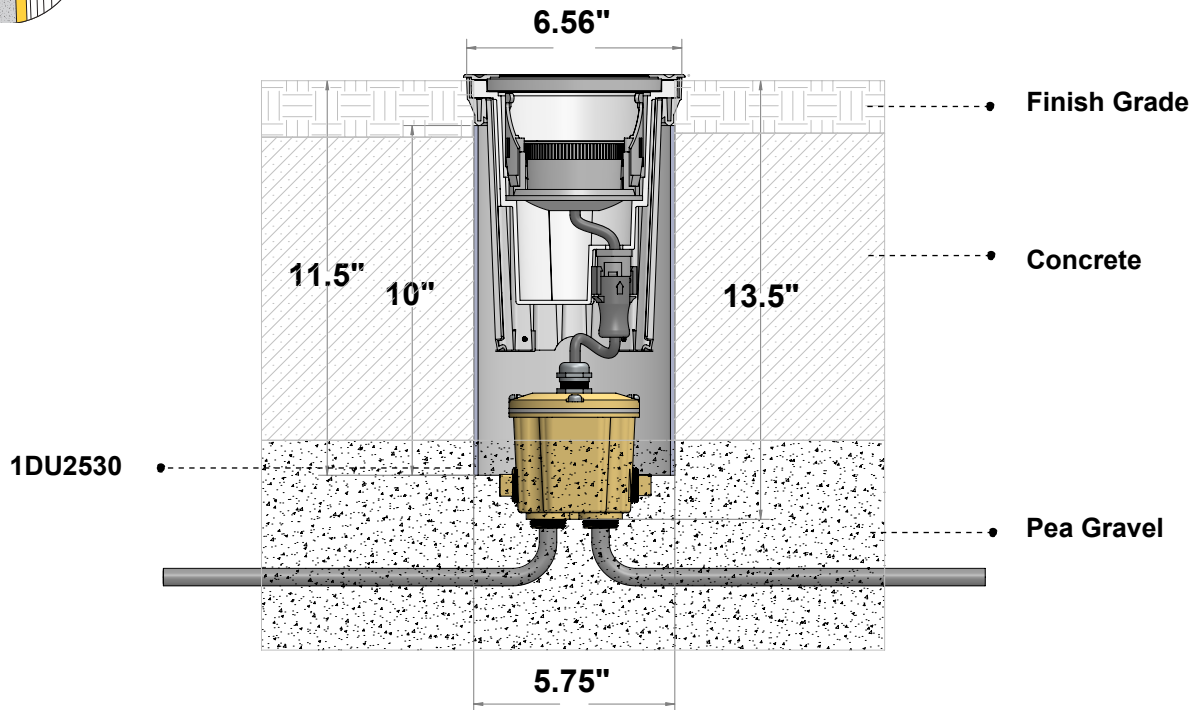


# Finished Installation Examples

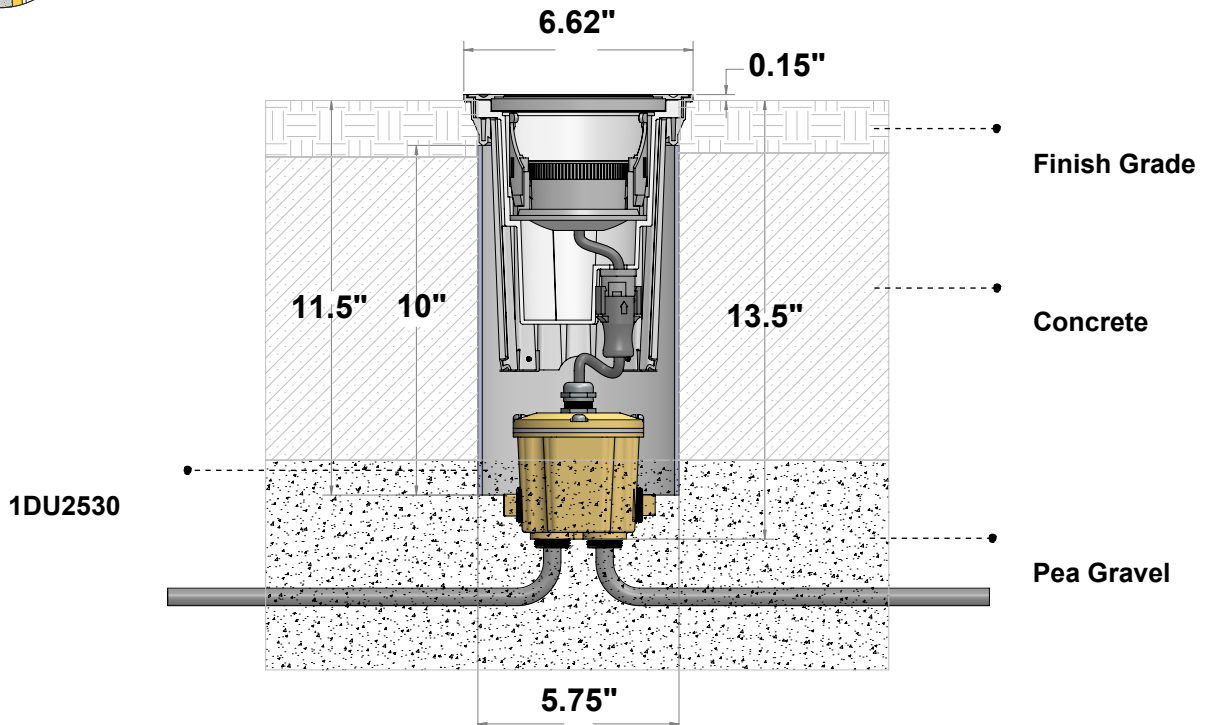
## CONCRETE POUR APPLICATION



**Flush Mount Sleeve Assembly**  
**1DU2521 and 1DU2522 Sleeves**

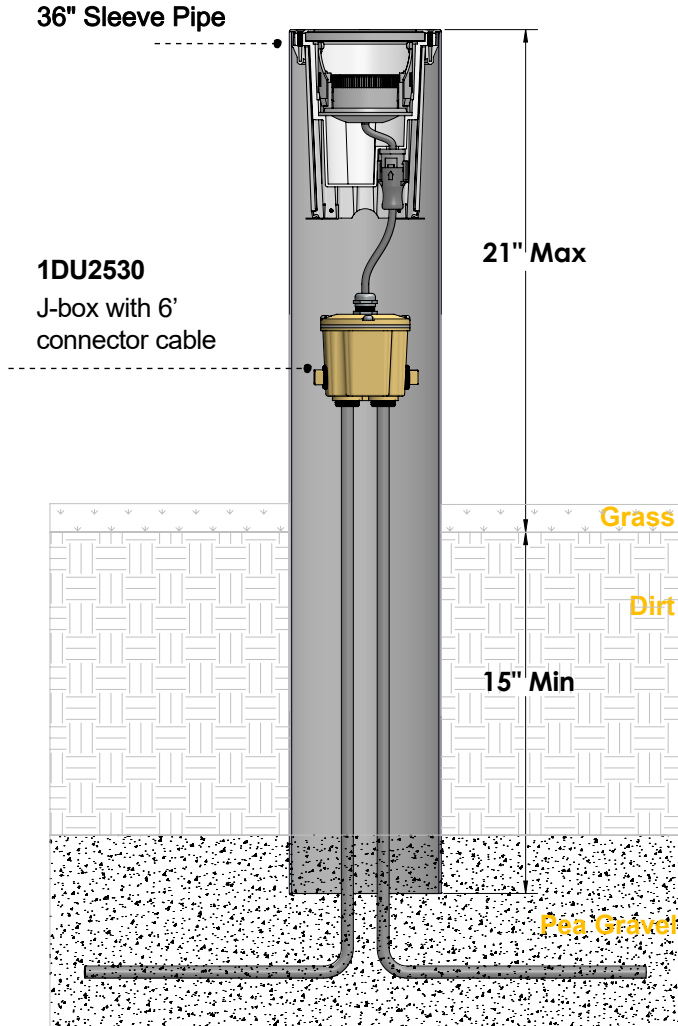


**Semi-Flush Mount Sleeve**  
**Assembly 1DU2521 Sleeve Only**

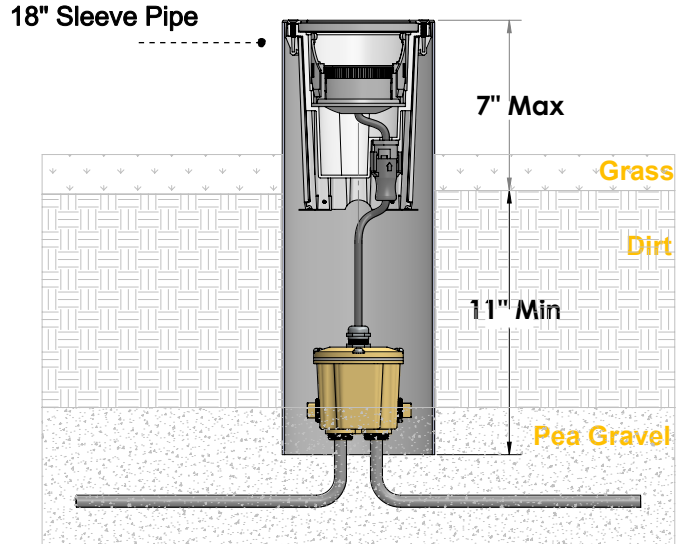


# Finished Installation Examples

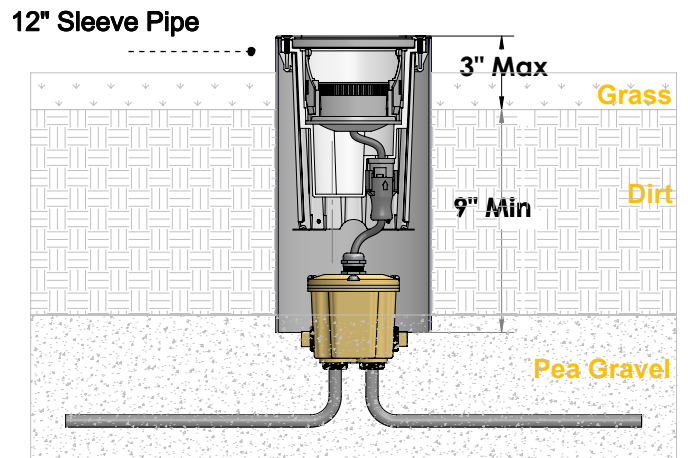
**RAISED TUBE INSTALLATION ASSEMBLY**  
 Recommended for Landscape Installation 1DU4344  
 with Round Trim ONLY



**RAISED TUBE INSTALLATION ASSEMBLY**  
 Recommended for Ground Level Installation  
 1DU434418 with Round Trim ONLY



**RAISED TUBE INSTALLATION ASSEMBLY**  
 Recommended for Turf Installation 1DU434412 with  
 Round Trim ONLY



---

## Maintenance

This fixture was designed and manufactured for a durable, long lasting use with minimum care. To ensure the maximum lifespan of this product, we encourage our customer to provide a quality visual inspection of the fixture and installation accessories every six months. If there are any visible signs of issues (i.e moisture or dust) during the inspection, please clean any of the dust or moisture with a soft cloth and check to make sure that any of the fixtures are still operating normally. If there are any issues regarding the fixture please contact us as we will assist the situation at hand.

---

## Support

Any questions, problems, or comments you have please feel free to contact our Customer Service department during our business hours Monday-Friday 8am-5pm via: Email: [usaorders@targetti.com](mailto:usaorders@targetti.com)  
Phone: (714) 513-1991

Visit our website: <http://www.targettiusa.com>