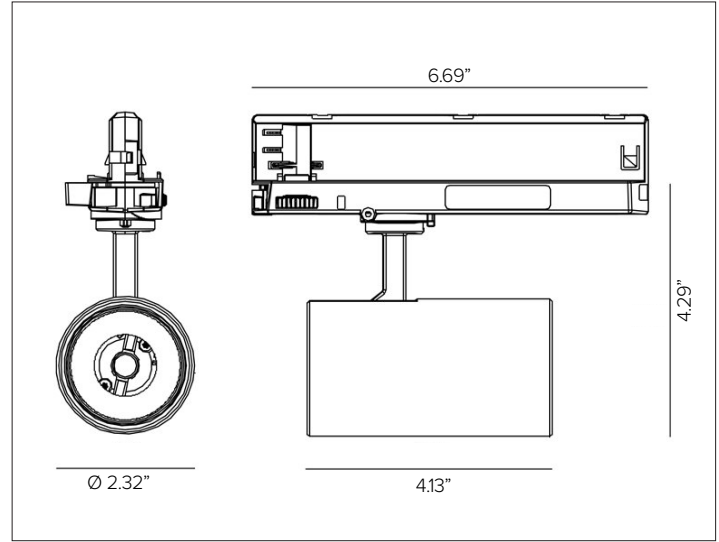


# LABEL 6

## Professional LED Track Projector



LABEL 6 shown in Deep Black finish.



### CONCEPT

Professional adjustable LED track projector.

### MECHANICAL CHARACTERISTICS

|                      |  |
|----------------------|--|
| <b>Dimensions</b>    | 2.32" Diameter   |
| <b>Materials</b>     | Extruded aluminum finished body.   |
| <b>Finish</b>        | <input type="radio"/> Plaster White <input checked="" type="radio"/> Deep Black <input type="radio"/> Silver                                     |
| <b>Functionality</b> | Fixture can be vertically adjusted from 0° to -90° and horizontally up to 355° with secure aim locking system.                                   |
| <b>Mounting</b>      | EUROSTANDARD PLUS Track, sold separately. The fixture can be vertically adjusted from 0° to 90° and horizontally up to 355° with secure locking. |
| <b>Weight</b>        | 1.06lbs  |
| <b>Protection</b>    | IP20   |

### CERTIFICATIONS

cULus Listed  
 Tested in accordance with LM-79-08.  
 RoHS3 EU 215/863

### WARRANTY

5 year limited warranty.

### SUSTAINABILITY

Luminaire designed for disposal/recycling at end-of-life. Replaceable LED light source and control gear by a Targetti technician.

### ELECTRICAL CHARACTERISTICS

|                     |                        |
|---------------------|------------------------|
| <b>Power Supply</b> | Integral 0-10V driver. |
| <b>Wattage</b>      | 21W                    |
| <b>Voltage</b>      | 120V AC 50/60Hz        |

### SOURCE

High efficiency LED Chip on Board.

| TM30 | CCT (Nominal) | CRI | Rf | Rg  | SDCM |
|------|---------------|-----|----|-----|------|
|      | 3000K         | 97  | 95 | 103 | 1.5  |
|      | 4000K         | 97  | 92 | 102 | 1.5  |

### OPTIC

Precision optics with a black silicone cut off ring.

| Beam                    | SP<br>13°                                  | FL<br>26°                                  | MWFL<br>41°                                |
|-------------------------|--|--|--|
| <b>Delivered Lumens</b> | <b>3000K</b> 1663Lm<br><b>4000K</b> 1776Lm | <b>3000K</b> 2114Lm<br><b>4000K</b> 2286Lm | <b>3000K</b> 1987Lm<br><b>4000K</b> 2148Lm |

*For 2700K lumen values use multiplier of 0.96 from 3000K. For 3500K lumen values use multiplier of 1.02 from 3000K.*

|                                       |   |
|---------------------------------------|---|
| <b>Efficacy</b>                       | 101Lm/W max. Refer to photometric graphs for specific values. |
| <b>Lifetime</b>                       | L90/B10 >50,000hrs at max TA +25°C                            |
| <b>Photobiological Classification</b> | Low risk photobiological safety RG1                           |

# LABEL 6

## SPECIFICATION INFORMATION



| 1 - PRODUCT CODE | 2 - TYPE       | 3 - DRIVER | 4 - FINISH   | 5 - WATTAGE | 6 - OPTICS                                  | 7 - KELVIN   | 8 - TRACK  |
|------------------|----------------|------------|--|-------------|---|--|--|
| LBL — LABEL      | 6 — 2.32" Dia. | 10 — 0–10V | PW — Plaster White<br>DB — Deep Black<br>SI — Silver | L1 — 21W    | SP — SP 13°<br>FL — FL 26°<br>MW — MWFL 41° | 27 — 2700K<br>30 — 3000K<br>35 — 3500K<br>40 — 4000K | To be completed with <a href="#">EUROSTANDARD PLUS TRACK</a> |

| 9 - OPTICAL ACCESSORIES  |
|--|
| <a href="#">Linear Spread Lens</a><br>See section for details<br><a href="#">Honeycomb Louver</a><br>See section for details |

**LABEL 6**

**9 – OPTICAL ACCESSORIES (OPTIONAL)**

MAXIMUM OF TWO ACCESSORY PER FIXTURE.



'Blade of Light' linear spread lens. PMMA holographic filter.

Part No. **1T4721**



Anti-glare louver. Lacquered metal honeycomb structure.

Part No. **1T4322**

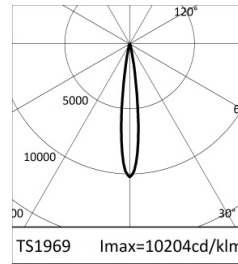
**LABEL 6**

**PHOTOMETRY**

**SPOT**

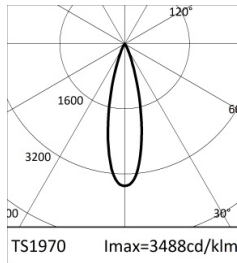


| 3000K         |                               | H(m)             | D(m)    | Emax(lx) |      |     |
|---------------|-------------------------------|------------------|---------|----------|------|-----|
| Ra90          |                               |                  | 14°     |          |      |     |
| Fixture Power | 24W                           | 1                | 0.25    | 20622    |      |     |
| Source Flux   | 2021lm                        | 2                | 0.49    | 5155     |      |     |
| Fixture Flux  | 1663lm                        | 3                | 0.74    | 2291     |      |     |
| Efficacy      | 68lm/W                        | 4                | 0.99    | 1289     |      |     |
| TS1969        | I <sub>max</sub> =10204cd/klm | I <sub>max</sub> | 20622cd | 5        | 1.23 | 825 |

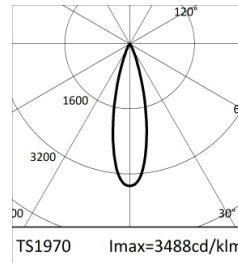


| 4000K         |                               | H(m)             | D(m)    | Emax(lx) |      |     |
|---------------|-------------------------------|------------------|---------|----------|------|-----|
| Ra90          |                               |                  | 14°     |          |      |     |
| Fixture Power | 24W                           | 1                | 0.25    | 22020    |      |     |
| Source Flux   | 2158lm                        | 2                | 0.49    | 5505     |      |     |
| Fixture Flux  | 1776lm                        | 3                | 0.74    | 2447     |      |     |
| Efficacy      | 73lm/W                        | 4                | 0.99    | 1376     |      |     |
| TS1969        | I <sub>max</sub> =10204cd/klm | I <sub>max</sub> | 22020cd | 5        | 1.23 | 881 |

**FLOOD**

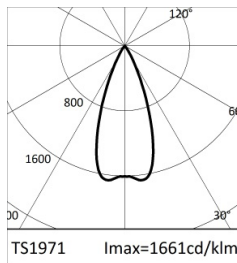


| 3000K         |                              | H(m)             | D(m)   | Emax(lx) |      |     |
|---------------|------------------------------|------------------|--------|----------|------|-----|
| Ra90          |                              |                  | 26°    |          |      |     |
| Fixture Power | 23W                          | 1                | 0.47   | 8615     |      |     |
| Source Flux   | 2470lm                       | 2                | 0.94   | 2154     |      |     |
| Fixture Flux  | 2114lm                       | 3                | 1.40   | 957      |      |     |
| Efficacy      | 94lm/W                       | 4                | 1.87   | 538      |      |     |
| TS1970        | I <sub>max</sub> =3488cd/klm | I <sub>max</sub> | 8615cd | 5        | 2.34 | 345 |

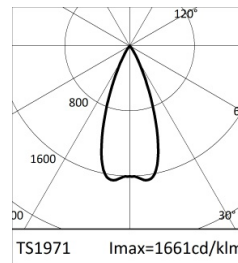


| 4000K         |                              | H(m)             | D(m)   | Emax(lx) |      |     |
|---------------|------------------------------|------------------|--------|----------|------|-----|
| Ra90          |                              |                  | 26°    |          |      |     |
| Fixture Power | 23W                          | 1                | 0.47   | 9313     |      |     |
| Source Flux   | 2670lm                       | 2                | 0.94   | 2328     |      |     |
| Fixture Flux  | 2286lm                       | 3                | 1.40   | 1035     |      |     |
| Efficacy      | 101lm/W                      | 4                | 1.87   | 582      |      |     |
| TS1970        | I <sub>max</sub> =3488cd/klm | I <sub>max</sub> | 9313cd | 5        | 2.34 | 373 |

**MEDIUM WIDE FLOOD**



| 3000K         |                              | H(m)             | D(m)   | Emax(lx) |      |     |
|---------------|------------------------------|------------------|--------|----------|------|-----|
| Ra90          |                              |                  | 41°    |          |      |     |
| Fixture Power | 23W                          | 1                | 0.75   | 4019     |      |     |
| Source Flux   | 2470lm                       | 2                | 1.50   | 1005     |      |     |
| Fixture Flux  | 1987lm                       | 3                | 2.24   | 447      |      |     |
| Efficacy      | 88lm/W                       | 4                | 2.99   | 251      |      |     |
| TS1971        | I <sub>max</sub> =1661cd/klm | I <sub>max</sub> | 4102cd | 5        | 3.74 | 161 |



| 4000K         |                              | H(m)             | D(m)   | Emax(lx) |      |     |
|---------------|------------------------------|------------------|--------|----------|------|-----|
| Ra90          |                              |                  | 41°    |          |      |     |
| Fixture Power | 23W                          | 1                | 0.75   | 4344     |      |     |
| Source Flux   | 2670lm                       | 2                | 1.50   | 1086     |      |     |
| Fixture Flux  | 2148lm                       | 3                | 2.24   | 483      |      |     |
| Efficacy      | 95lm/W                       | 4                | 2.99   | 271      |      |     |
| TS1971        | I <sub>max</sub> =1661cd/klm | I <sub>max</sub> | 4434cd | 5        | 3.74 | 174 |