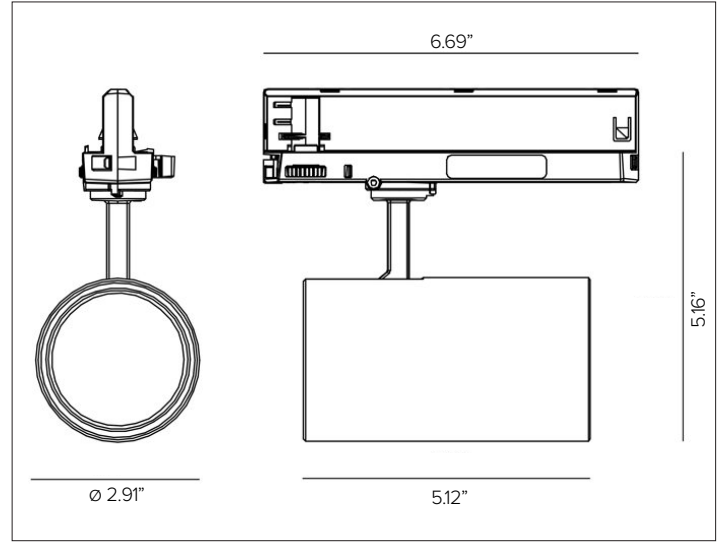


# LABEL 7

## Professional LED Track Projector



LABEL 7 shown in Deep Black finish.



### CONCEPT

Professional adjustable LED track projector.

### MECHANICAL CHARACTERISTICS

<b>Dimensions</b>	2.91" Dia. x 5.12" L
<b>Materials</b>	Extruded aluminum finished body.
<b>Finish</b>	<input type="radio"/> Plaster White <input checked="" type="radio"/> Deep Black <input type="radio"/> Silver
<b>Functionality</b>	Fixture can be vertically adjusted from 0° to -90° and horizontally up to 355° with secure aim locking system.
<b>Mounting</b>	EUROSTANDARD PLUS Track, sold separately. The fixture can be vertically adjusted from 0° to 90° and horizontally up to 355° with secure locking.
<b>Weight</b>	1.43lbs
<b>Protection</b>	IP20

### CERTIFICATIONS

cULus Listed  
 Tested in accordance with LM-79-08.  
 RoHS3 EU 215/863

### WARRANTY

5 year limited warranty.

### SUSTAINABILITY

Luminaire designed for disposal/recycling at end-of-life. Replaceable LED light source and control gear by a Targetti technician.

### ELECTRICAL CHARACTERISTICS

<b>Power Supply</b>	Integral 0-10V driver.
<b>Wattage</b>	29W
<b>Voltage</b>	120V AC 50/60Hz

### SOURCE

High efficiency LED Chip on Board.

TM30	CCT (Nominal)	CRI	Rf	Rg	SDCM
	3000K	97	95	103	1.5
	4000K	97	92	102	1.5

### OPTIC

Precision optics with a black silicone cut off ring.

Beam	SP 17°	FL 26°	MWFL 41°	
<b>Delivered Lumens</b>	<b>3000K</b>	2547Lm	2489Lm	2375Lm
	<b>4000K</b>	2754Lm	2691Lm	2569Lm

*For 2700K lumen values use multiplier of 0.96 from 3000K. For 3500K lumen values use multiplier of 1.02 from 3000K.*

<b>Efficacy</b>	93Lm/W max. Refer to photometric graphs for specific values.
<b>Lifetime</b>	L90/B10 >50,000hrs at max TA +25°C
<b>Photobiological Classification</b>	Low risk photobiological safety RG1

# LABEL 7

## SPECIFICATION INFORMATION



1 - PRODUCT CODE	2 - TYPE	3 - DRIVER	4 - FINISH	5 - WATTAGE	6 - OPTICS	7 - KELVIN	8 - TRACK
LBL — LABEL	7 — 2.91" Dia.	10 — 0–10V	PW — Plaster White DB — Deep Black SI — Silver	L1 — 29W	SP — SP 17° FL — FL 26° MW — MWFL 41°	27 — 2700K 30 — 3000K 35 — 3500K 40 — 4000K	To be completed with <a href="#">EUROSTANDARD PLUS TRACK</a>

9 - OPTICAL ACCESSORIES
<a href="#">Linear Spread Lens</a> See section for details <a href="#">Honeycomb Louver</a> See section for details

**LABEL 7**

**9 – OPTICAL ACCESSORIES (OPTIONAL)**

MAXIMUM OF TWO ACCESSORY PER FIXTURE.




---

'Blade of Light' linear spread lens. PMMA holographic filter.

Part No. **1T8094**

---




---

Anti-glare louver. Lacquered metal honeycomb structure.

Part No. **1T8093**

---

**LABEL 7**

**PHOTOMETRY**

**SPOT**



		3000K	H(m)	D(m)	E <sub>max</sub> (lx)	
		Ra90		17°		
Fixture Power	30W	1	0.30	23139		
Source Flux	3054lm	2	0.60	5785		
Fixture Flux	2547lm	3	0.90	2571		
Efficacy	86lm/W	4	1.19	1446		
TS1859	I <sub>max</sub> =7577cd/klm	I <sub>max</sub>	23139cd	5	1.49	926

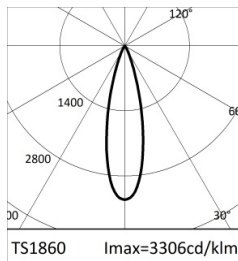


		4000K	H(m)	D(m)	E <sub>max</sub> (lx)	
		Ra90		17°		
Fixture Power	30W	1	0.30	25018		
Source Flux	3302lm	2	0.60	6254		
Fixture Flux	2754lm	3	0.90	2780		
Efficacy	93lm/W	4	1.19	1564		
TS1859	I <sub>max</sub> =7577cd/klm	I <sub>max</sub>	25018cd	5	1.49	1001

**FLOOD**



		3000K	H(m)	D(m)	E <sub>max</sub> (lx)	
		Ra90		26°		
Fixture Power	30W	1	0.47	10096		
Source Flux	3054lm	2	0.94	2524		
Fixture Flux	2489lm	3	1.41	1122		
Efficacy	84lm/W	4	1.88	631		
TS1860	I <sub>max</sub> =3306cd/klm	I <sub>max</sub>	10096cd	5	2.35	404

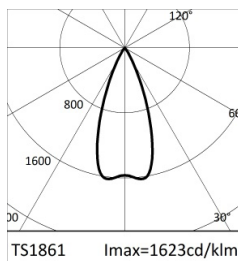


		4000K	H(m)	D(m)	E <sub>max</sub> (lx)	
		Ra90		26°		
Fixture Power	30W	1	0.47	10915		
Source Flux	3302lm	2	0.94	2729		
Fixture Flux	2691lm	3	1.41	1213		
Efficacy	91lm/W	4	1.88	682		
TS1860	I <sub>max</sub> =3306cd/klm	I <sub>max</sub>	10915cd	5	2.35	437

**MEDIUM WIDE FLOOD**



		3000K	H(m)	D(m)	E <sub>max</sub> (lx)	
		Ra90		41°		
Fixture Power	30W	1	0.75	4850		
Source Flux	3054lm	2	1.49	1213		
Fixture Flux	2376lm	3	2.24	539		
Efficacy	80lm/W	4	2.99	303		
TS1861	I <sub>max</sub> =1623cd/klm	I <sub>max</sub>	4955cd	5	3.73	194



		4000K	H(m)	D(m)	E <sub>max</sub> (lx)	
		Ra90		41°		
Fixture Power	30W	1	0.75	5244		
Source Flux	3302lm	2	1.49	1311		
Fixture Flux	2569lm	3	2.24	583		
Efficacy	87lm/W	4	2.99	328		
TS1861	I <sub>max</sub> =1623cd/klm	I <sub>max</sub>	5358cd	5	3.73	210