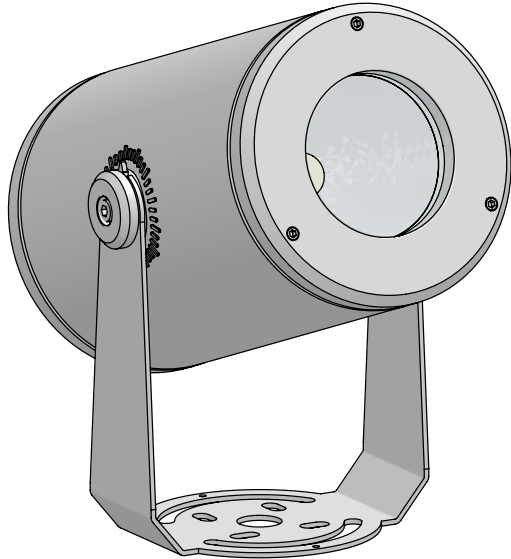




## DART ROUND SMALL

DRS41-

## COMPACT ADJUSTABLE PROFESSIONAL FLOODLIGHT



### WARNING

Remote Class II electronic power supply will power the fixture with low voltage. **DO NOT CONNECT FIXTURE TO LINE VOLTAGE. FAILURE TO COMPLY WILL RESULT IN VOID OF WARRANTY.** See Fixture Connection (page 3) for more information.

To ensure a maximum efficient use of the product, read the instructions before proceeding installation.



This fixture must be installed by a licensed and qualified electrician. The installer must comply with NEC and local building codes when installing the fixture.



Electrical current can cause painful shock, serious injury, or even death. Make sure you turn off the power supply, ground fixture(s), and make sure all electrical connections are correct and secured tightly.

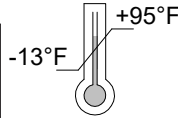


For use in IP66 installations.



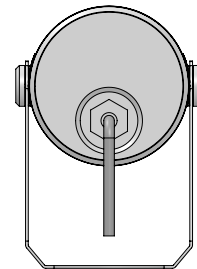
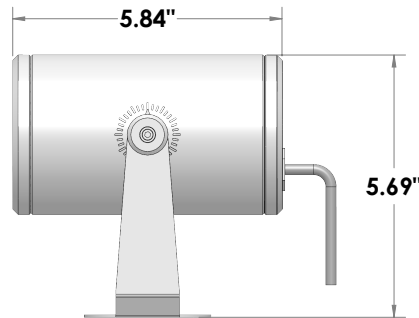
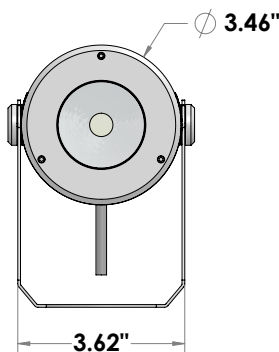
Keep the label of the original packaging if any eventual future claims are needed

120/277V



IP66 IK10

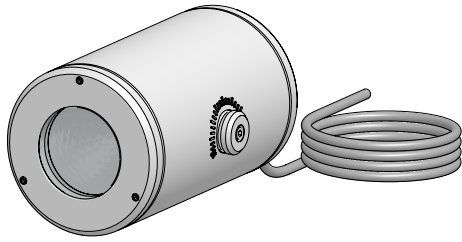
If in doubt about the symbols refer to catalog or website



## Table of Contents

Packaging Contents	Pg.2
Mounting Bracket Installation	Pg.3
Mounting Accessories	Pg.4-8
External Optical Accessories	Pg.9-12
Electrical Roughin / Wiring Diagram	Pg.13
Maintenance / Support	Pg.14

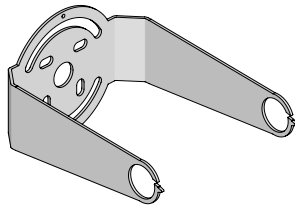
# Packaging Contents



DART ROUND SMALL FIXTURE 1 ea.  
10' SJ00W 16-6 Cable  
(attached on fixture)



BOX 8" x 8" x 8" @ 3.50lbs

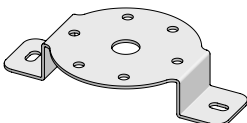
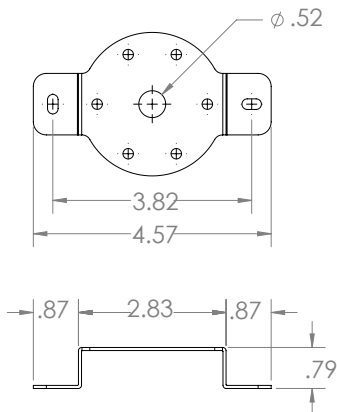


MOUNTING BRACKET 1 ea.

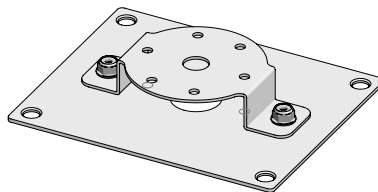
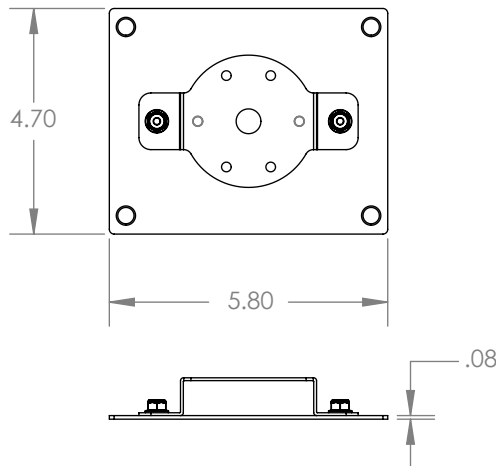
● Ferrite Dark Grey (Default) ● Heritage Brown (HB)\* ● Bronze (BZ)\* ● White (WT)\* ● Black (BT)\* ● Sandstone Grey (SG)\*

## Confirm Specified Mounting (Sold Separately)

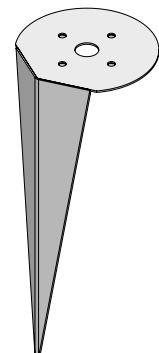
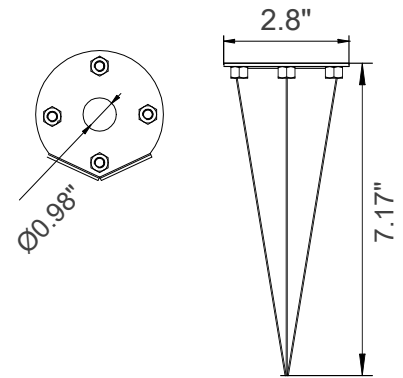
**1E3015(\*)**  
Rotation Bracket



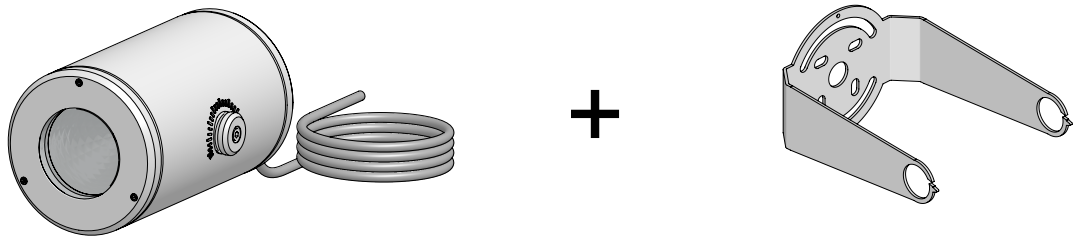
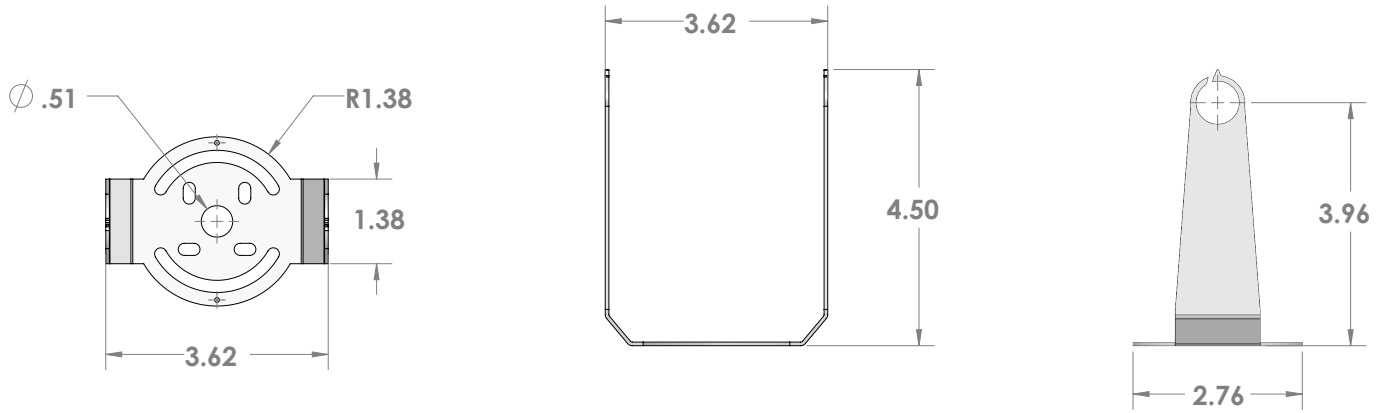
**1US3015(\*)**  
Back Plate



**1E3016(\*)**  
Earth Spike

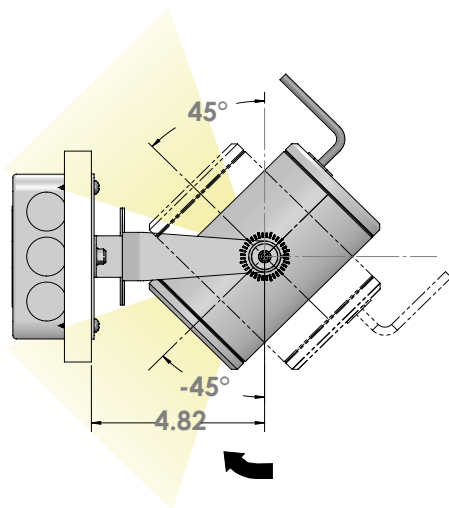


# Mounting Installation

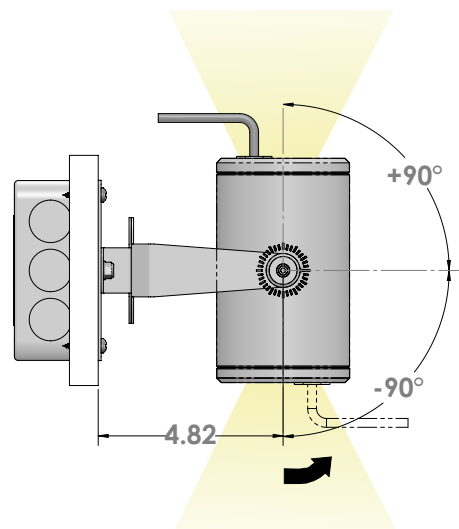


## WALL MOUNTED OPTIONS

### WALL WASH POSITIONS



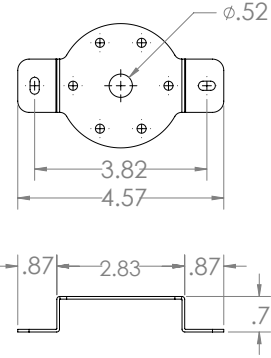
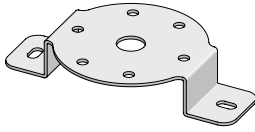
### PROJECTOR POSITIONS



# Mounting Accessories

## Mounting Accessories (Optional)

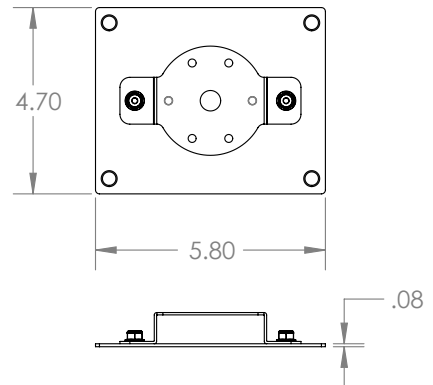
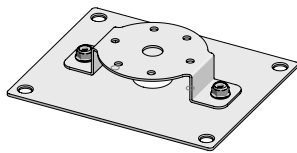
Maximum of one accessory per fixture



Rotational bracket for surface installation. Powder coated stainless steel.

Part No. **1E3015**(\*)

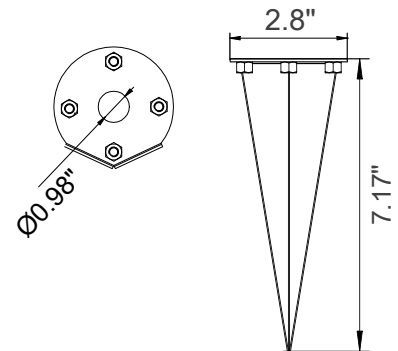
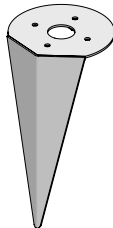
- Ferrite Dark Grey (Default)
- Heritage Brown (HB)\*
- Bronze (BZ)\*
- White (WT)\*
- Black (BT)\*
- Sandstone Grey (SG)\*



Back plate with rotational bracket for recessed wall J-Box installation. Powder coated stainless steel with Neoprene black foam. Includes 1E3026 and factory attached Stainless Steel black oxide bolts and locking nuts.

Part No. **1US3015** (\*)

- Ferrite Dark Grey (Default)
- Heritage Brown (HB)\*
- Bronze (BZ)\*
- White (WT)\*
- Black (BT)\*
- Sandstone Grey (SG)\*



Earth spike. Powder coated stainless steel.

Part No. **1E3016** (\*)

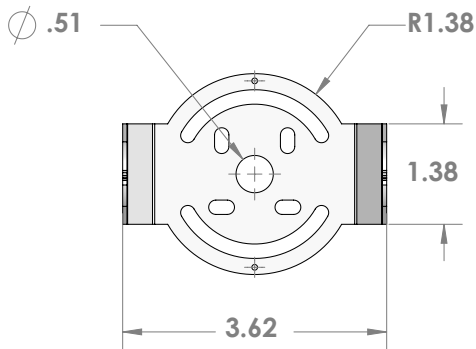
- Ferrite Dark Grey (Default)
- Heritage Brown (HB)\*
- Bronze (BZ)\*
- White (WT)\*
- Black (BT)\*
- Sandstone Grey (SG)\*

# Fixture Bracket Installation

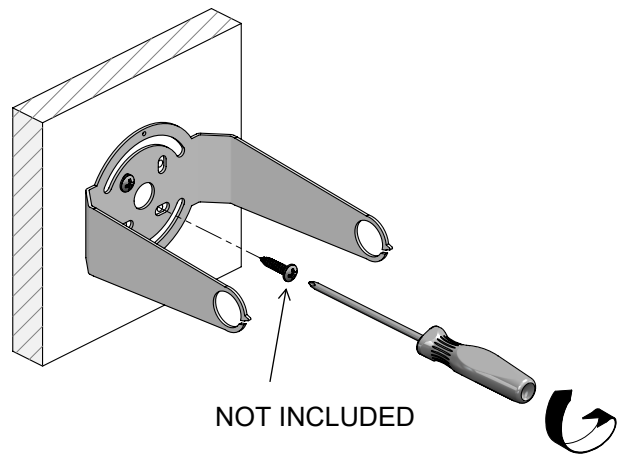
Fixture bracket can be installed directly onto mostly any surface.

(included 1 per fixture)

Drill 2 holes on the surface at the corresponding distance and then attach bracket using proper hardware depending on mounting surface. Depending on the holes used for mounting, the bracket can provide rotation adjustability of +/-60°.

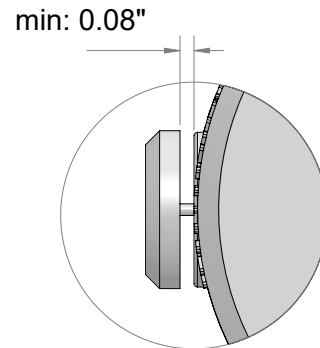
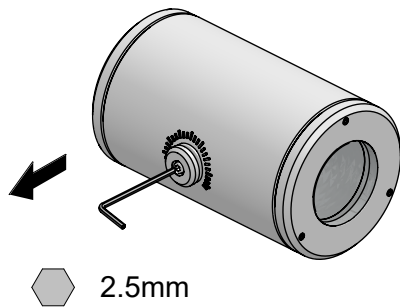


These 4 slots provide rotation adjustability of +/- 60°

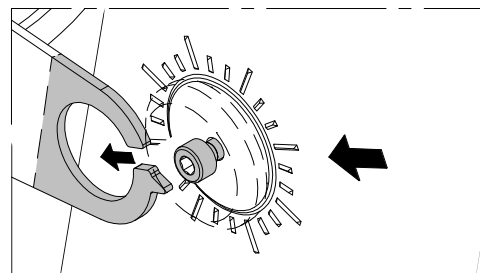
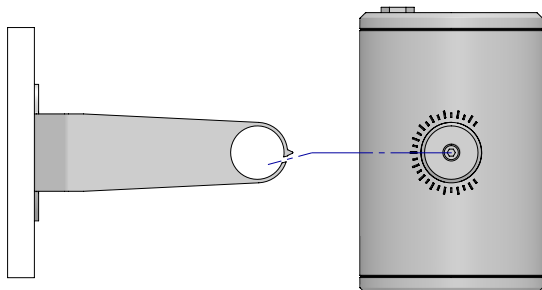


## LED Fixture Assembly / Fixture Bracket

To assemble the fixture and the fixture bracket together, use a 2.5 millimeter Allen wrench to loosen the 2 screws on the sides of the fixture to create a gap of approximately 0.08" between the button and the fixture (Allen wrench provided by others).



Once both sides have been loosened and the gap was created, insert the bracket into the gaps using the openings at the end of the bracket as shown on images below. Once inserted, aim to the desired angle and tighten.

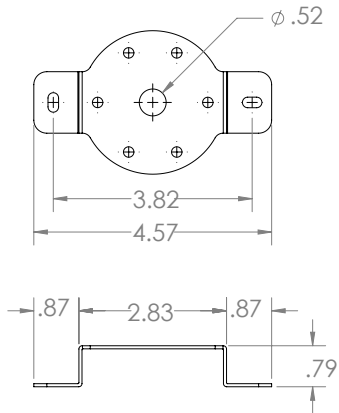
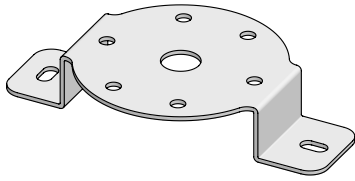


# Mounting Installation Cont.

With Rotational Bracket

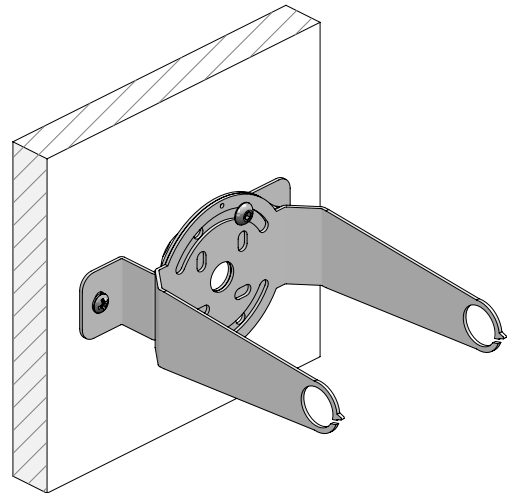
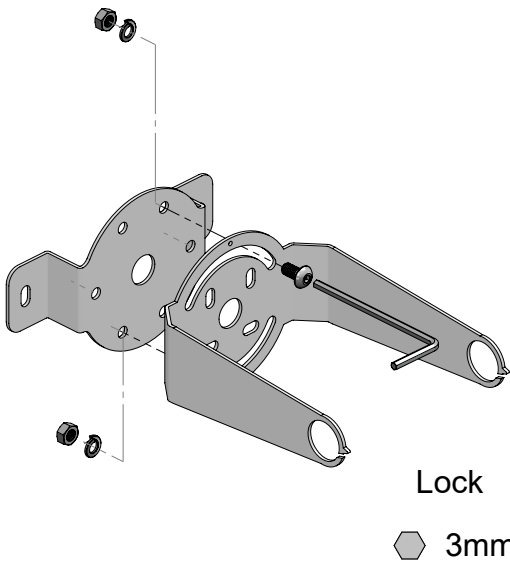
1E3015(\*)

1



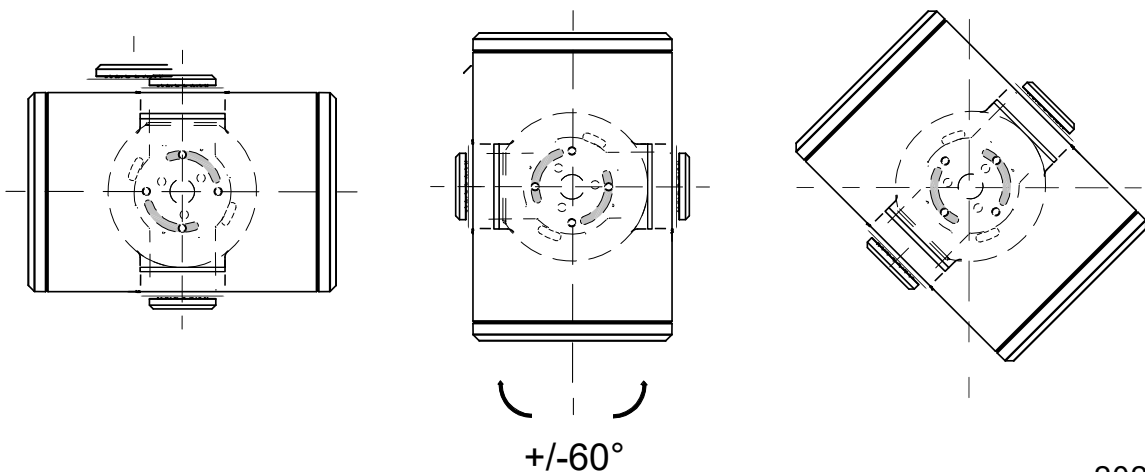
2 Rotation bracket will be leveled, and installed on the mounting surface. Use the appropriate fasteners or anchors to mount the bracket onto mounting surface.

Once the rotation bracket is mounted onto the surface, place the two hex screws through the bracket and rotation plate as shown. Then place the the body of the fixture on top of the mounted bracket. Adjust the fixture to the desire lighting position before locking the two hex screws on top of the mounting bracket.



3

## ADJUSTMENT

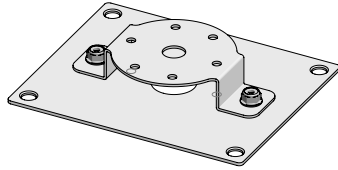


# Mounting Installation Cont.

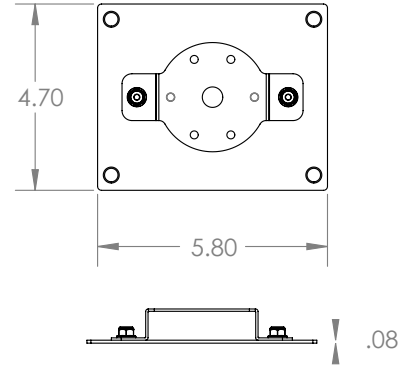
## Back Plate with Rotational Bracket

### 1US3015\*

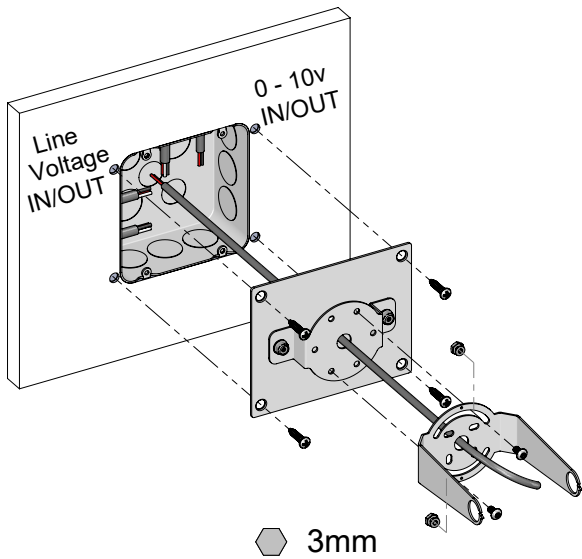
Optional rotation bracket accessory can be mounted onto most surfaces. (Optional 1 per fixture). This accessory is optional to provide complete 360° of mounting positions. Drill 4 holes on the surface at the corresponding distance and then attach the rotation bracket using proper hardware depending on mounting surface.



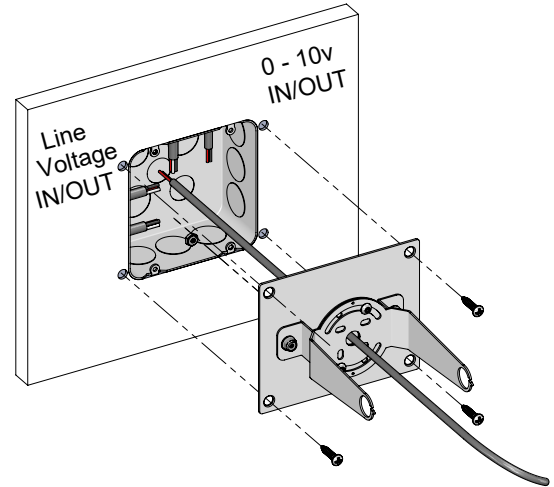
Back Plate



1

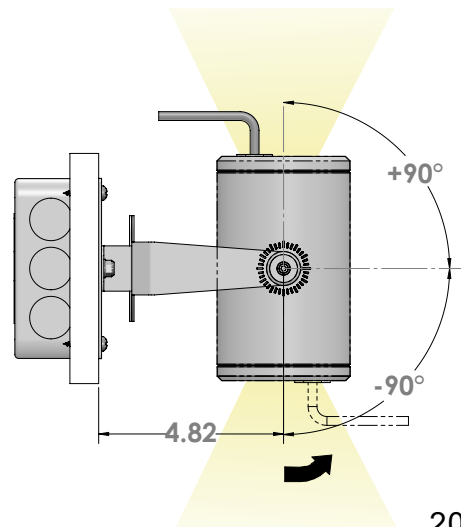
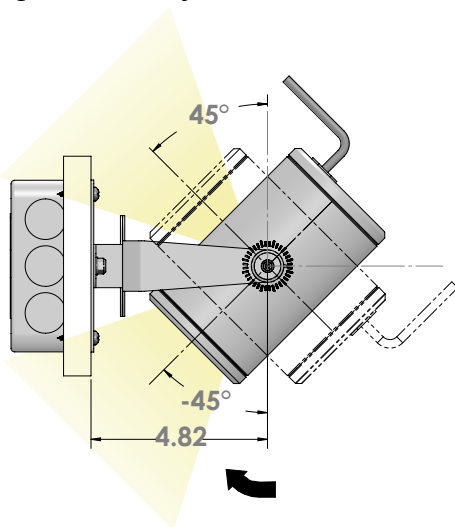


2



3

Attach the fixture bracket onto the rotation bracket using provided hardware as shown on image. Then adjust fixture at desired angle and tighten.

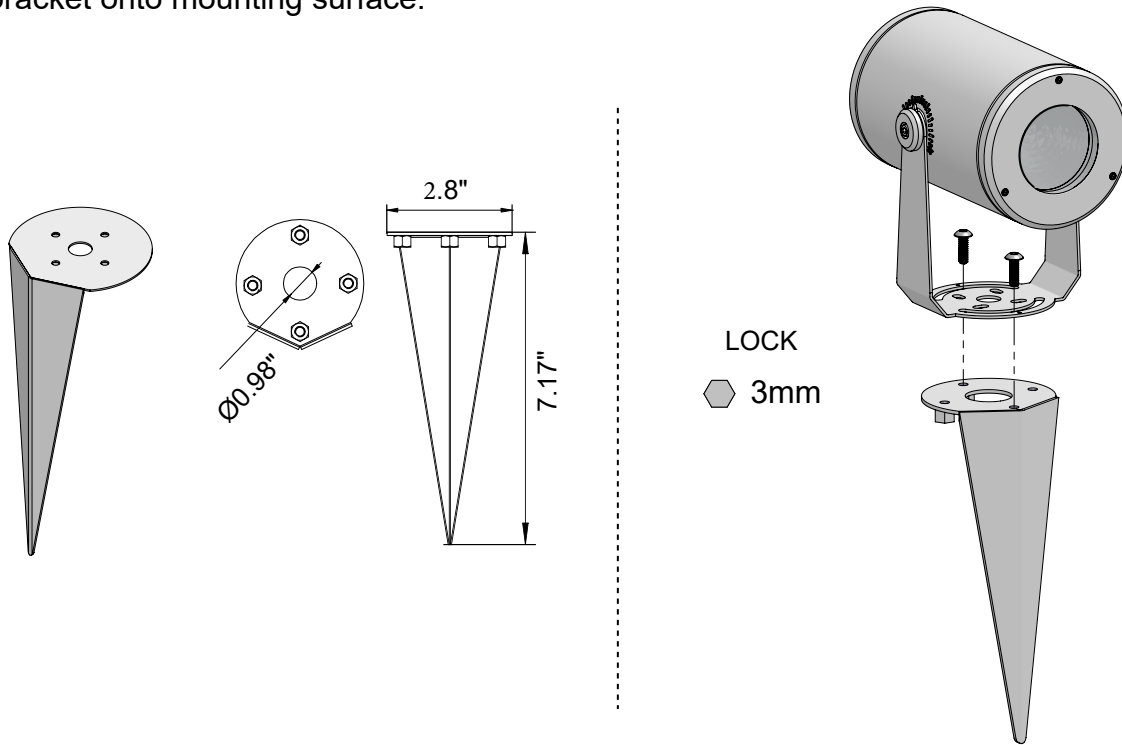


# Mounting Installation Cont.

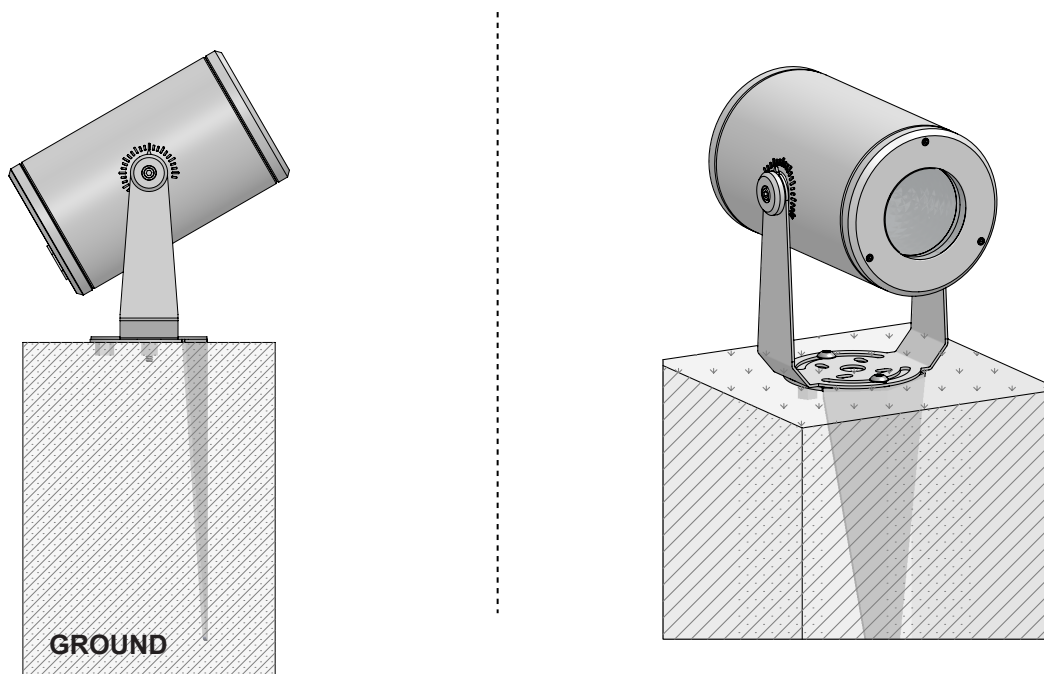
## Earthspike Installation

### 1E3016\*

- ① Earthspike will be installed on the mounting ground and should be stable and sturdy before mounting fixture. Use the appropriate fasteners or anchors to mount the bracket onto mounting surface.



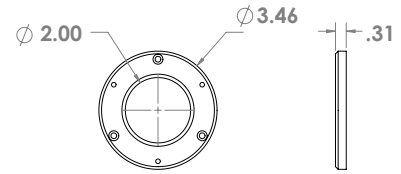
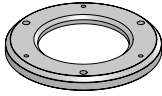
- ② Once the earthspike is mounted onto the surface, place the two hex screws through and place the the body of the fixture on top of the mounted bracket. Adjust the fixture to the desire lighting position before locking the two hex screws on top of the mounting bracket.





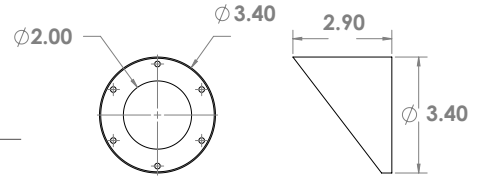
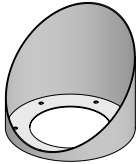
# External Optical Accessories (Optional)

Maximum of Two Accessories Per Fixture



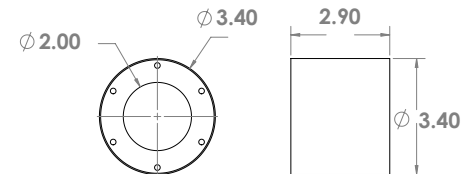
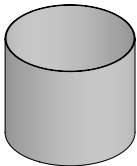
**Blade Light Linear Spread Lens.** PMMA holographic filter.

Part No. **1E4002 (\*)**



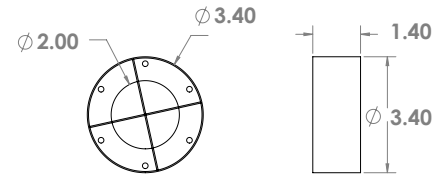
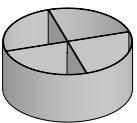
**Asymmetric snoot.** Powder coated stainless steel. Cutoff 53°. **Not compatible with 1E4004, 1E4005 or 1E4057.**

Part No. **1E4003 (\*)**



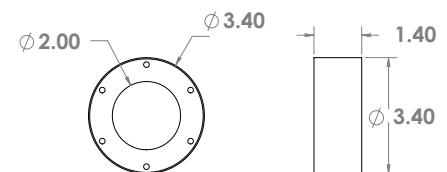
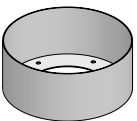
**Symmetric super snoot.** Powder coated stainless steel. Cutoff 53°. **Not compatible with 1E4003, 1E4004 or 1E4005.**

Part No. **1E4057 (\*)**



**Anti glare louver** with removable baffles for different levels of glare control. Powder coat stainless steel. Cutoff 103°. **Not compatible with 1E4003, 1E4004 or 1E4057.**

Part No. **1E4005(\*)**



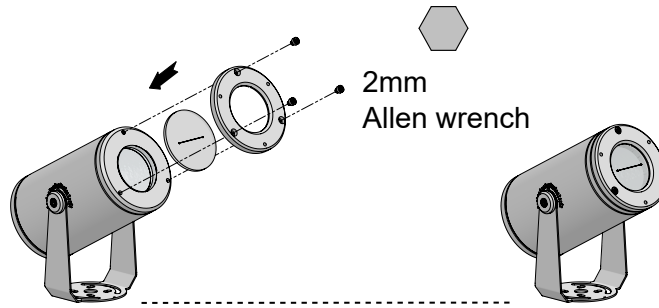
**Symmetric snoot.** Powder coated stainless steel. Cutoff 109°. **Not compatible with 1E4003, 1E4005 or 1E4057.**

Part No. **1E4004 (\*)**

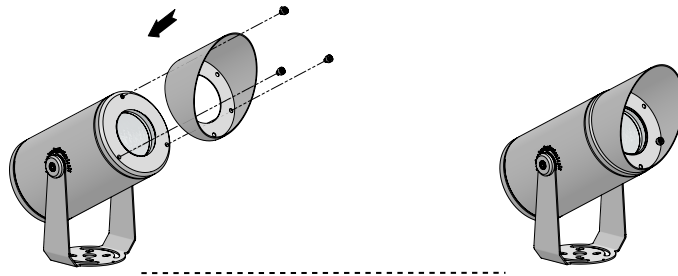
## Confirm Specified Accessory (Sold Separately)

\*\*In order to attach accessories onto the fixture, you must first remove the 3 screw caps from the glass screen. Place the blade light filter onto the LED fixture's face, align holes on accessory to holes on fixture. Once the 3 holes are aligned, insert the 3 screws (provided with asymmetric snoot) into the LED fixture head and tighten with a 2mm Allen wrench to complete installation. Maximum of two accessories per fixture.

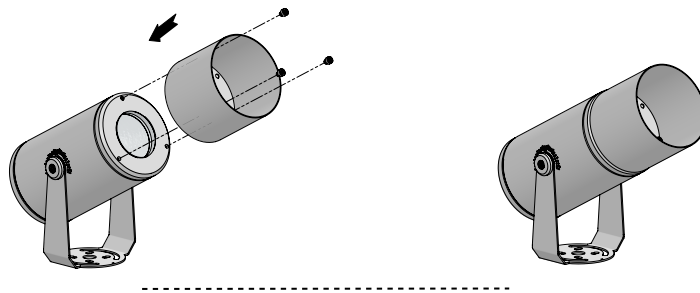
**1E4002\***  
Blade Light Linear



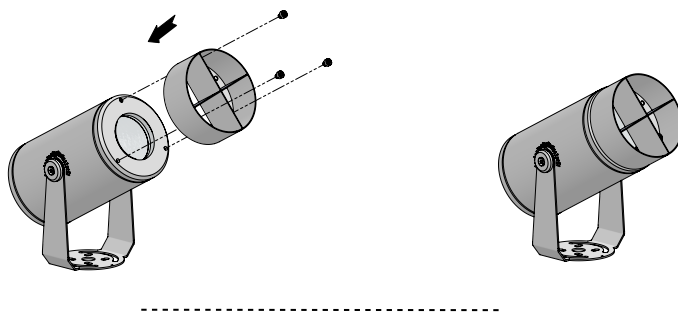
**1E4003\***  
Asymmetric Snoot



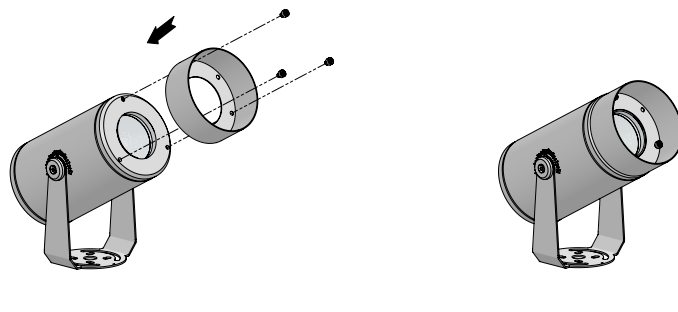
**1E4005\***  
Anti-glare Louver



**1E4057\***  
Symmetric Super Snoot

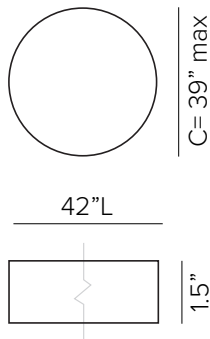


**1E4004\***  
Symmetric Snoot



# Tree Mounting Accessories Installation

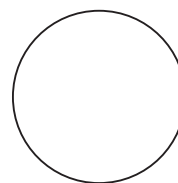
Installation Accessories (Optional) Maximum of one accessory per fixture



Single tree strap comprised of durable Nylon webbing flexible strap with high strength aircraft aluminum V-ring buckle in Gunmetal finish and lock-in loop to prevent slipping. **Strap is made to coordinate with up to 3 fixtures and 1 wiring connection box. Strap fits trees 39" max circumference or smaller. (REQUIRED)**

*Finish* ● Olive Green ● Coyote Brown  
● Graphite Grey

*Part No.* TTS0101 TTS0102 TTS0103



expands  
Ø 0.38" to 1"



Fixture bracket comprised of powder coated stainless steel for use with tree strap. **Maximum of 3 brackets can be per single strap. (REQUIRED)**

*Finish* ● Ferrite Dark Grey ● Bronze

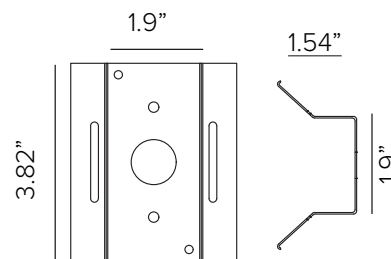
*Part No.* TTBLT0101 TTBLT0102



Fixture bracket comprised of powder coated stainless steel for use with tree strap. **Maximum of 3 brackets can be per single strap. (REQUIRED)**

*Finish* ● Ferrite Dark Grey ● Bronze

*Part No.* TTBLT0101 TTBLT0102



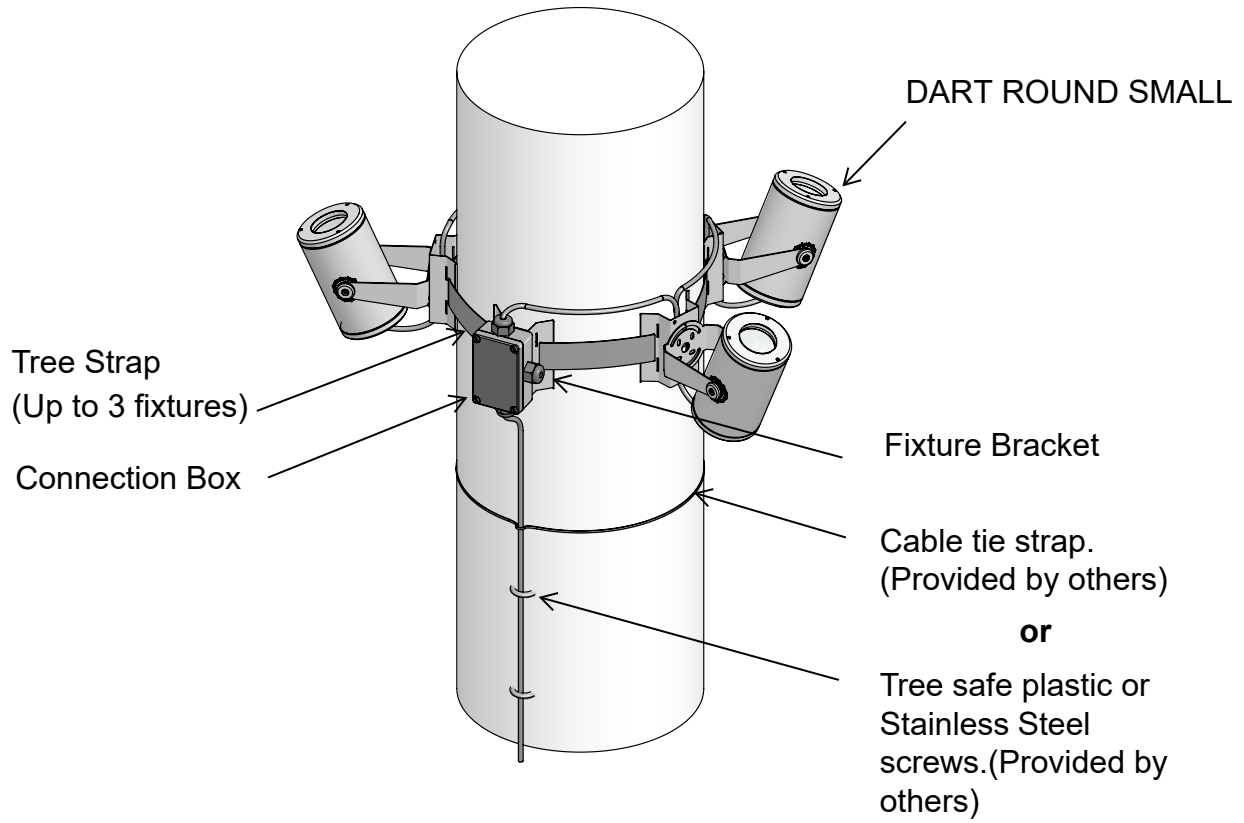
Tree Strap Connection Box. Painted aluminum UL listed 9in3 J-Box with 3ea 3/8" cable glands and 1ea 1/2" cable gland. Mounting bracket for tree strap included. Used to connect multiple 24V DC low voltage cables for one continuous cable connection down the tree to remote driver, additional cable provided by others. **Can be used for up to 3 fixture connections per tree strap. (OPTIONAL)**

*Finish* ● Ferrite Dark Grey ● Bronze

*Part No.* TTCB0103FG TTCB0103BZ

# Tree Mounting Accessories Installation

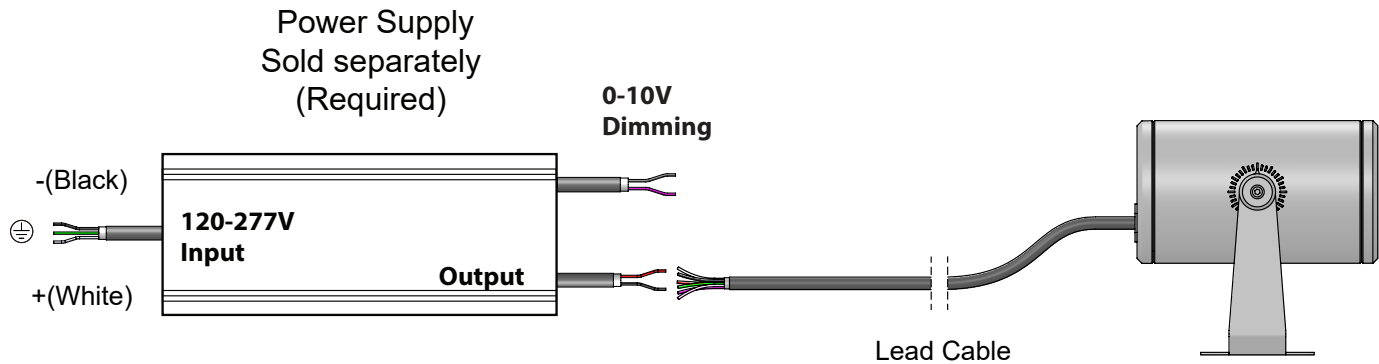
## Wiring Configuration



# Fixture Wiring Diagram

Follow the directions below to complete a successful connection.

- Use proper UL listed waterproof wire connectors depending on conductor size.
- Ground every fixture accordingly.
- Make color coded connections.
- Double check every connection and make sure they are correct and secured.



## Conductor Callout

Black = 120-277V Load  
White = 120-277V Neutral  
Green = Ground  
Red = Do Not Use  
Purple = 0-10V Positive  
Pink = 0-10V Negative



---

## Maintenance

This fixture was designed and manufactured for a durable, long lasting use with minimum care. To ensure the maximum lifespan of this product, we encourage our customers to provide a quality visual inspection of the fixture and installation accessories every six months.

If there are any visible signs of issues (i.e moisture or dust) during the inspection, please clean any of the dust or moisture with a soft cloth and check to make sure that any of the fixtures are still operating normally. If there are any issues regarding the fixture, please contact us as we will assist the situation at hand.

---

## Support

Any questions, problems, or comments you have please feel free to contact our Customer Service department during our business hours Monday-Friday 8am-5pm via: Email: [usaorders@targetti.com](mailto:usaorders@targetti.com)  
Phone: (714) 513-1991

Visit our website: <http://www.targettiusa.com>