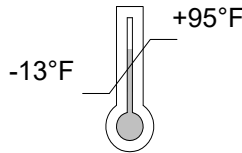
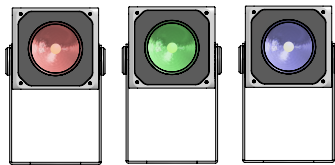
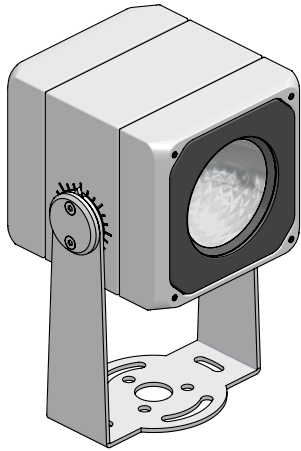




DART MEDIUM RGBW DAMDX-

5" SQUARE PROFESSIONAL ADJUSTABLE DYNAMIC COLOR CHANGING PROJECTOR FLOODLIGHT



WARNING

To ensure a maximum efficiency of the product, read the instructions before proceeding to installation



This fixture must be installed by a licensed and qualified electrician. The installer must comply with NEC and local building codes when installing the fixture

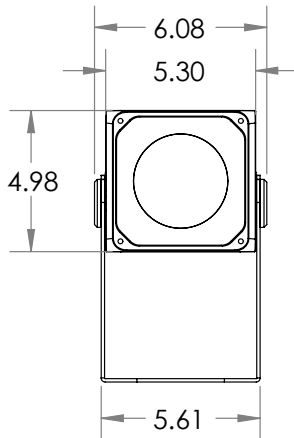


Electrical current can cause painful shock, serious injury, or even death. Make sure you turn off the power supply, ground fixture(s), and make sure all electrical connections are correct and secured tightly

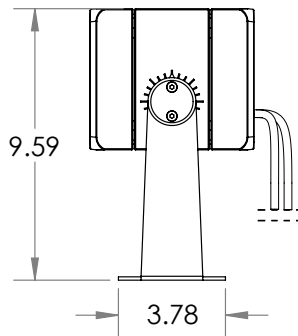


Keep the label of the original packaging if any eventual future claims are needed

If in doubt about the symbols please refer to catalog or website.



BRACKET
POSITION A



BRACKET
POSITION B

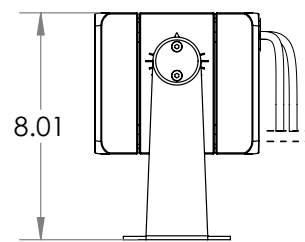
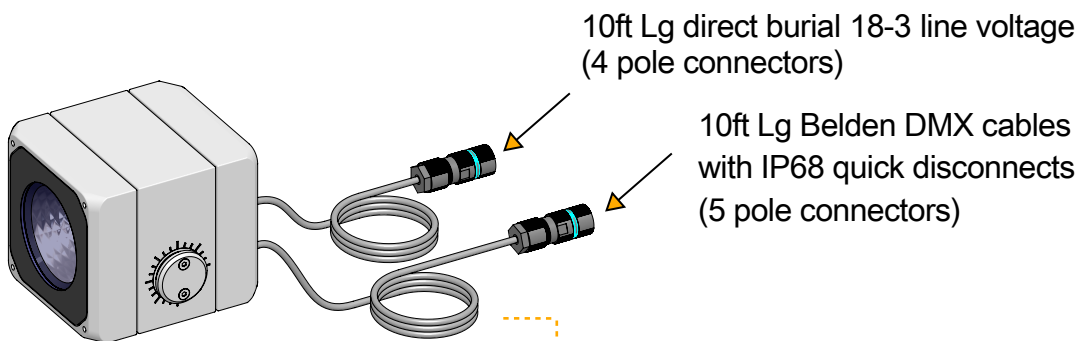


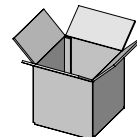
Table of Contents

Packaging Contents	Pg.2/3
Mounting Positioning	Pg.4
Mounting Installations	Pg.5-18
Electrical Roughin / Wiring Diagram	Pg.19
DMX Control	Pg.20
Service Options	Pg.21
Maintenance / Support	Pg.22

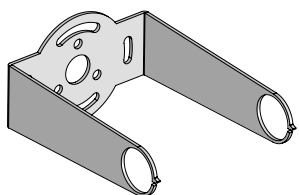
Packaging Contents



DART MEDIUM FIXTURE 1 ea.



BOX 7" x 7" x 7" @ 6.83lbs



MOUNTING BRACKET 1 ea.

● Ferrite Dark Grey (Default) ● Heritage Brown (HB)* ● Bronze (BZ)* ● White (WT)* ● Black (BT)* ● Sandstone Grey (SG)*

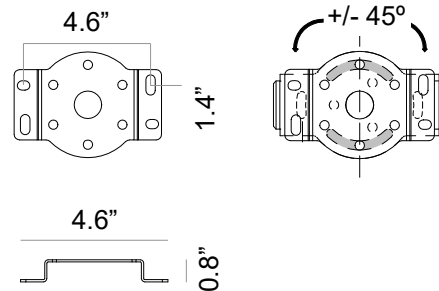
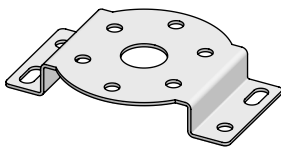
Confirm Specified Mounting (Sold Separately)

Lead cable kit. (2ea) direct burial 18-3 line voltage and 20-5 DMX cables with IP68 quick disconnects.

<p>18-3 line voltage (4 pole connectors)</p>			
<p>20-5 DMX cables (5 pole connectors)</p>			
<p>DRDXLEAD10 (10ft)</p>	<p>DRDXLEAD25 (25ft)</p>	<p>DRDXLEAD50 (50ft)</p>	<p>DRDXPLEAD50 (50ft)</p>

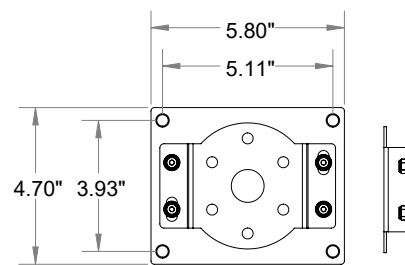
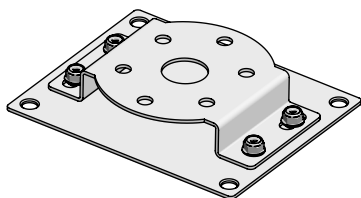
Packaging Contents

Confirm Specified Mounting (Sold Separately)
Maximum of one accessory per fixture



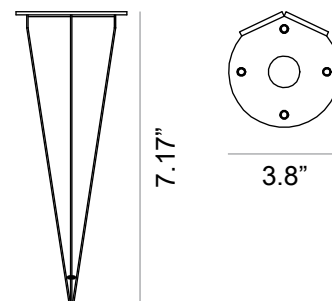
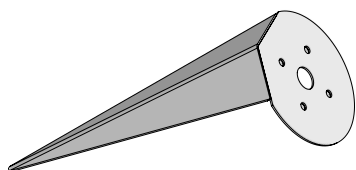
Rotational bracket for surface installation. Powder coated stainless steel.

Part No. 1E3026 (*)



Back plate with rotational bracket for recessed wall J-Box installation. Powder coated stainless steel with Neoprene black foam. Includes 1E3026 and factory attached Stainless Steel black oxide bolts and locking nuts.

Part No. 1DU3026 (*)



Earth spike. Powder coated stainless steel.

Part No. 1E3028 (*)

Textured finish.

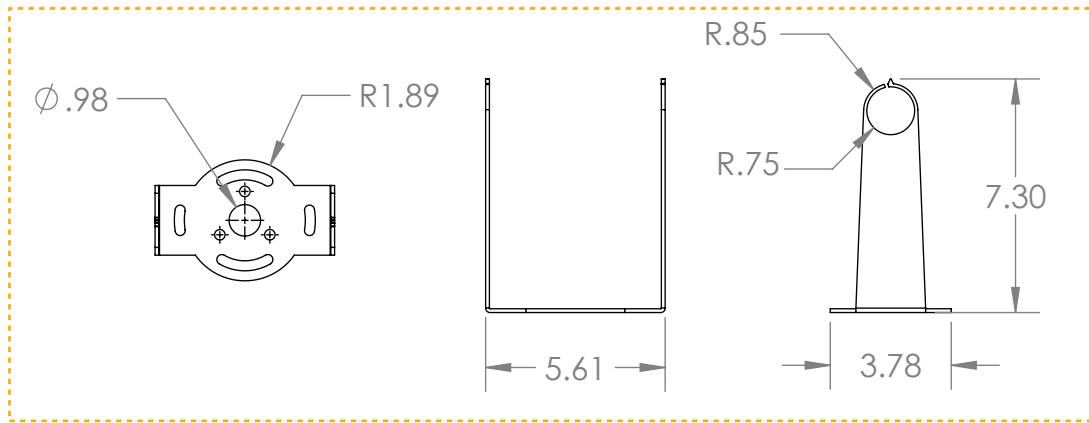
- Ferrite Dark Grey (Default)
- Heritage Brown (HB)*
- Bronze (BZ)*
- White (WT)*
- Black (BT)*
- Sandstone Grey (SG)*



Laser pointing system. To be installed by friction on the projector's body. Powder coated stainless steel. Provided with laser. **Does not apply toward maximum accessory count.**

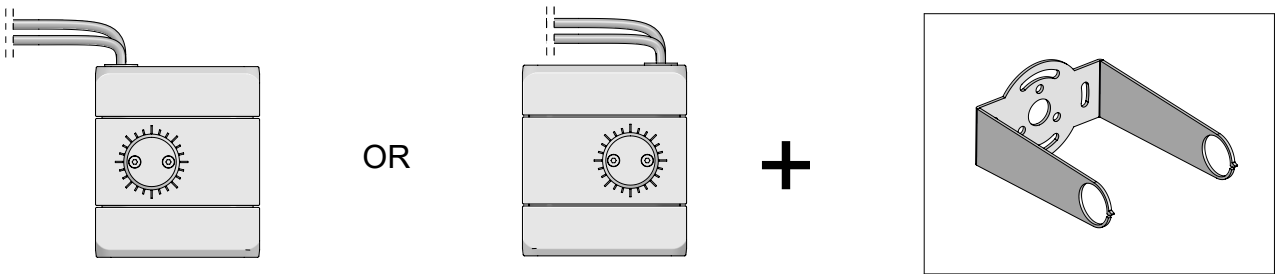
Part No. 1DU3029

Mounting Positioning

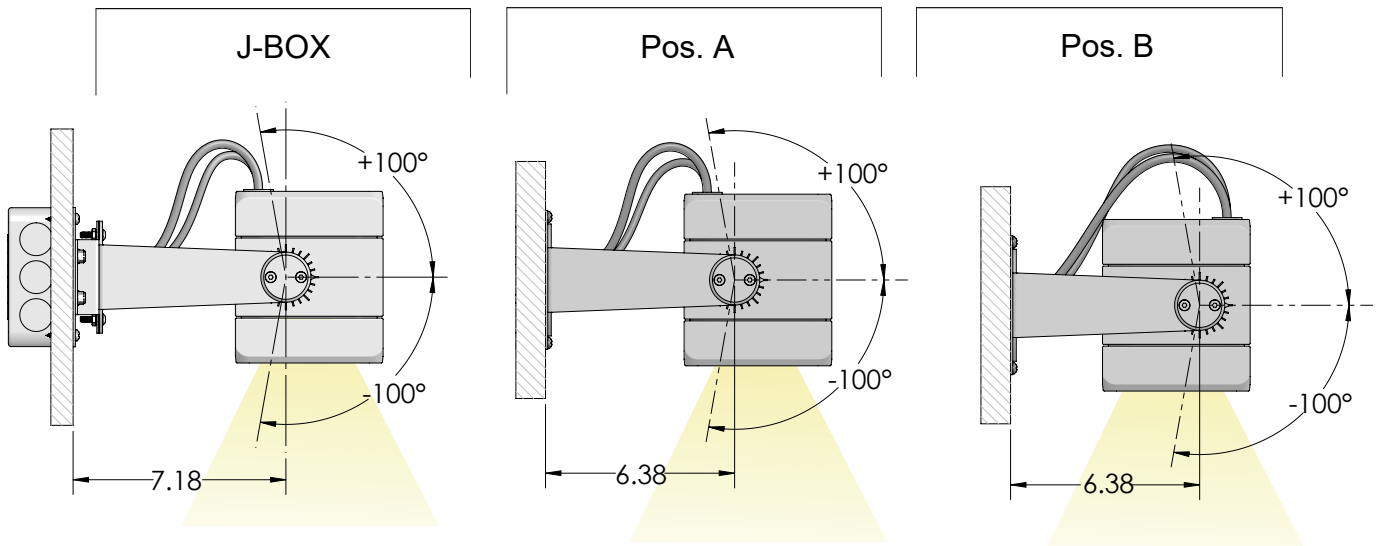


Pos. A

Pos. B



WALL WASHER OBLIGATORY POSITION

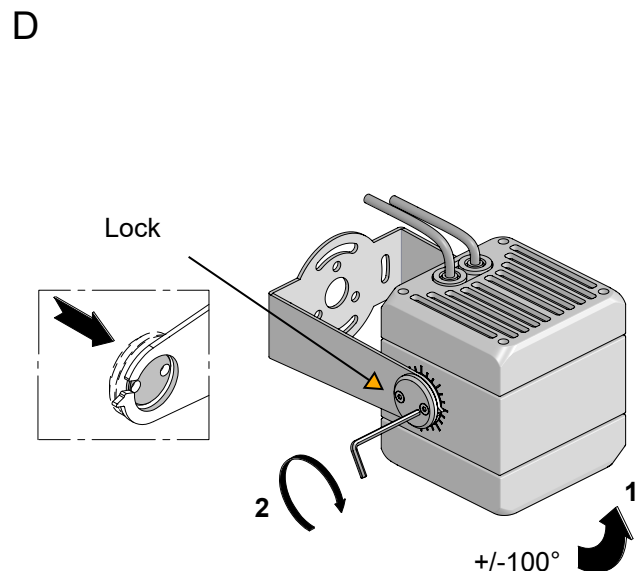
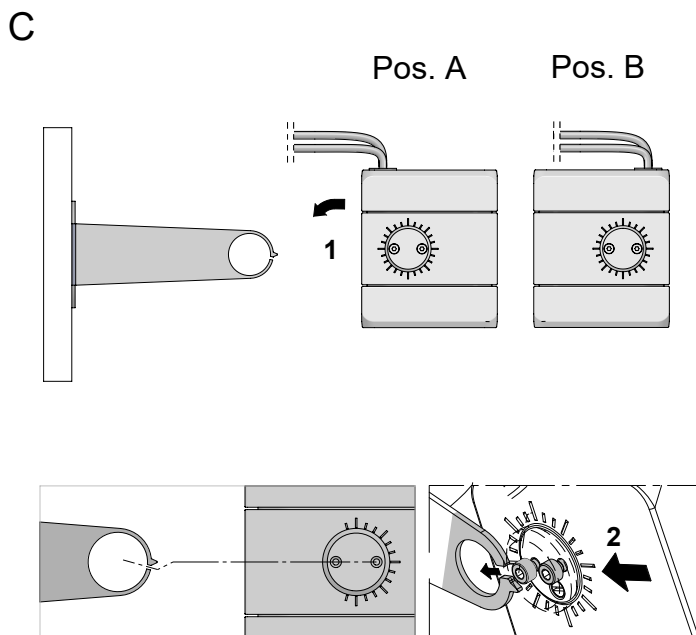
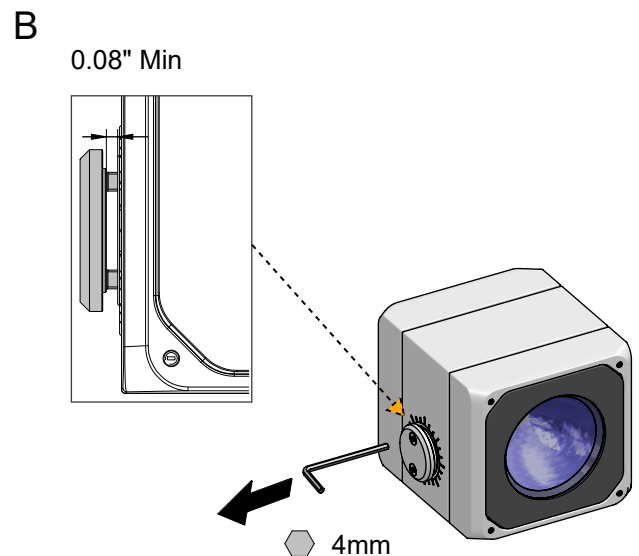
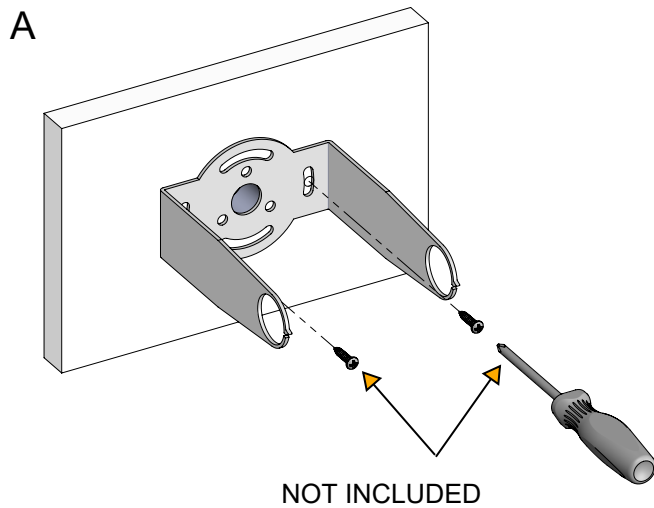


Dart fixture has an adjustable range of illumination when mounting which allows mobility of the fixture's luminescence based on the two mounting positions' parameters.

The position of the fixture will determine the distance from the middle beam to the mounting surface. As shown left, position B mounted position has a closer distance from the mounting surface than position A.

Mounting Installation

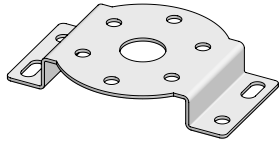
- A) Bracket will be installed level on the mounting surface using the appropriate fasteners or anchors to mount the bracket onto mounting surface.
- B) Loosen the screws for bracket holder wheel using an Allen key to open the gap between the pivot wheel and the body of the fixture. The screw must be loosened up to a minimum gap of at least 0.08" spacing for the mounting bracket to fit between the gap to properly hold the fixture in place.
- C) With the mounting bracket installed, whether installing the fixture in position A or position B, line up the gap of the mounting bracket ring with the screws of the pivot wheel. Be sure you have a clear viewing angle of the gap of the mounting bracket ring with the screws you are slipping the rings into.
- D) Once the mounting bracket rings slip through the pivot wheel screws and are in the correct position, using the Allen key, lock the screws in to secure the pivot wheel with the mounting bracket rings together.



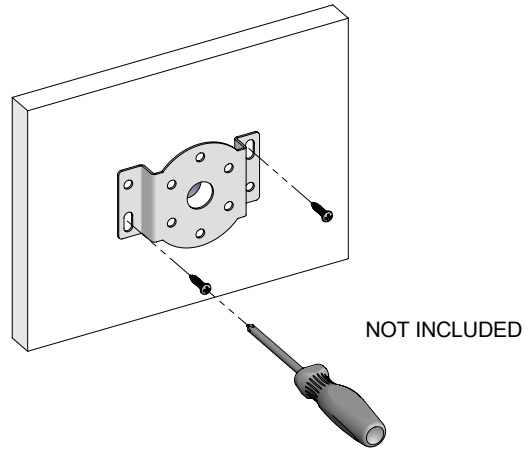
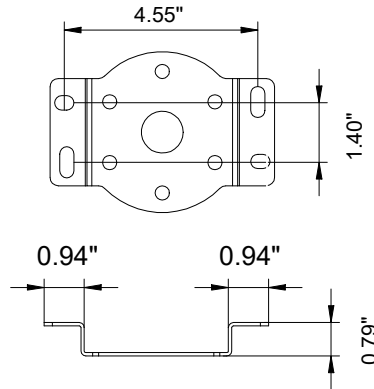
Mounting Installation Cont.

With Rotational Bracket

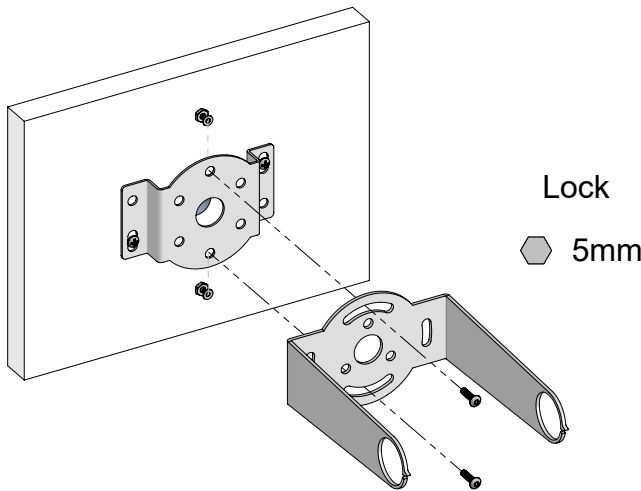
- 1 Rotation bracket will be leveled, and installed on the mounting surface. Use the appropriate fasteners or anchors to mount the bracket onto mounting surface.



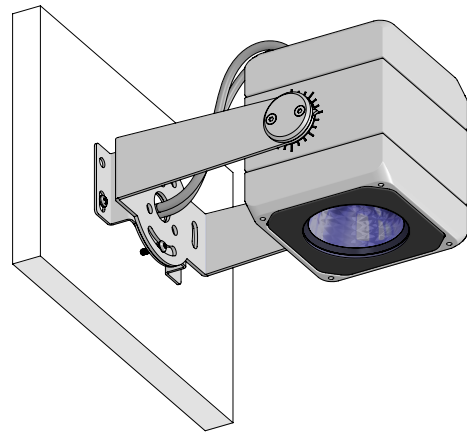
1E3026(*)
Rotation Bracket



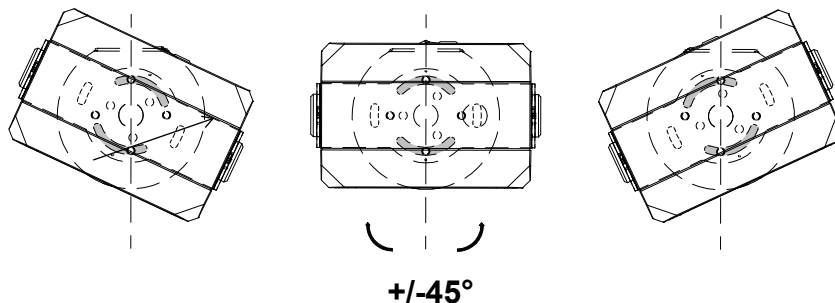
- 2 Once the rotation bracket is mounted onto the surface, place the two hex screws through the bracket and rotation plate as shown. Then place the the body of the fixture on top of the mounted bracket (see page.4 for attachment). Adjust the fixture to the desire lighting position before locking the two hex screws on top of the mounting bracket.



10ft Lead Cable to nearby remote J-Box for connection



- 3 The rotation bracket allows the fixture to rotate horizontally and addition +/- 45 degrees lighting angling capability. This allows the fixture to have a flexible adjusting angle for the user desired positioning of lighting a certain area.



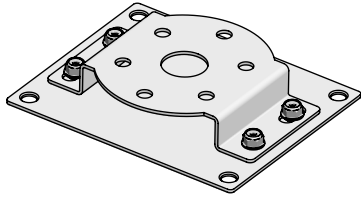
Mounting Installation Cont.

Back Plate with Rotational Bracket

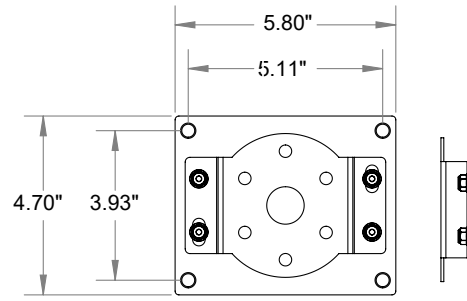
1DU3026*

Optional rotation bracket accessory can be mounted onto most surfaces. (Optional 1 per fixture). This accessory is optional to provide complete 360° of mounting positions.

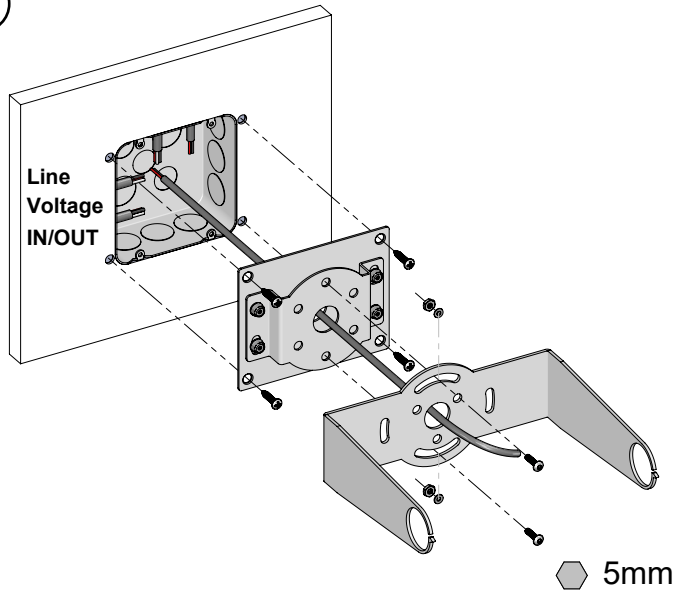
Drill 4 holes on the surface at the corresponding distance and then attach the rotation bracket using proper hardware depending on mounting surface.



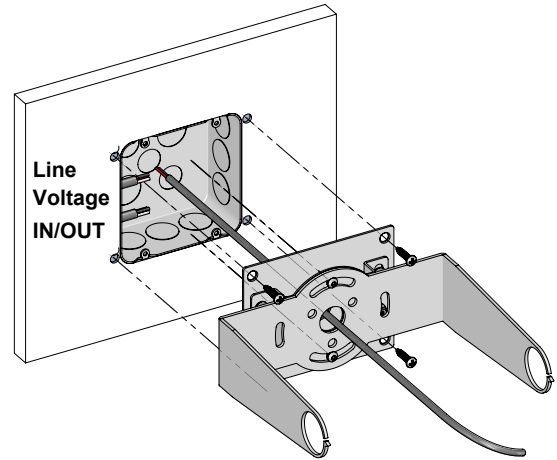
Back Plate



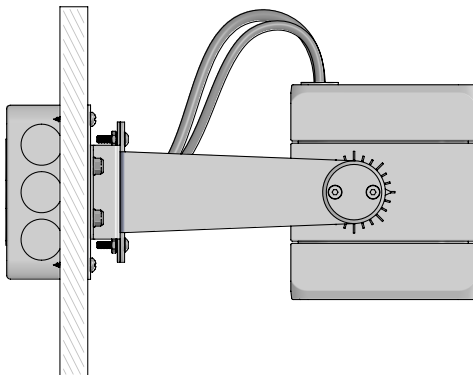
1



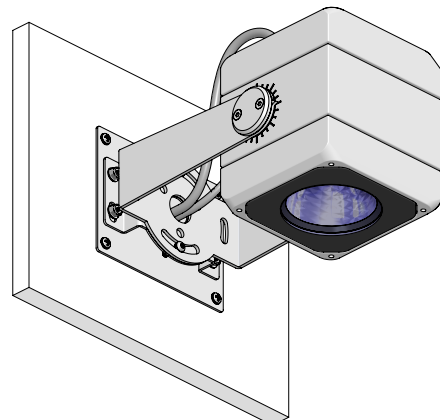
2



3



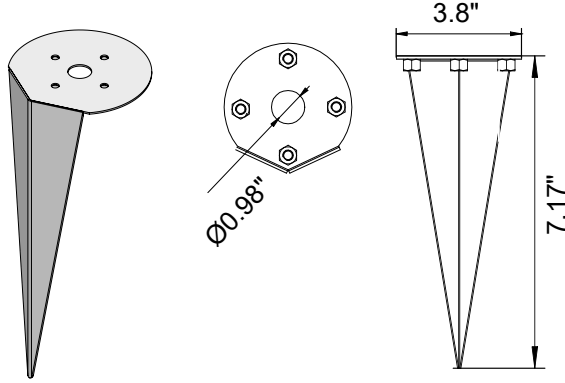
Attach the fixture bracket onto the rotation bracket using provided hardware as shown on image. Then adjust fixture at desired angle and tighten.



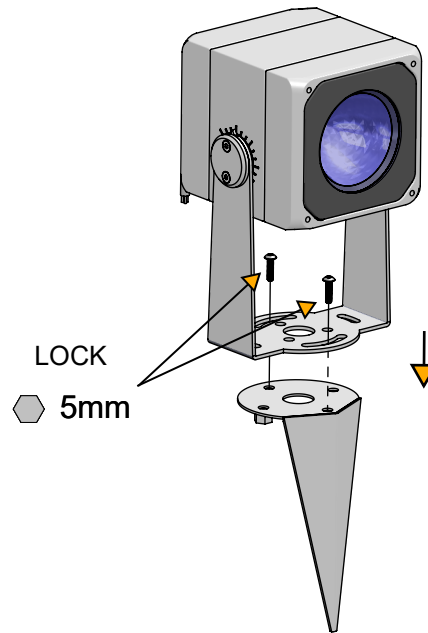
Mounting Installation Cont.

Earthspike Installation

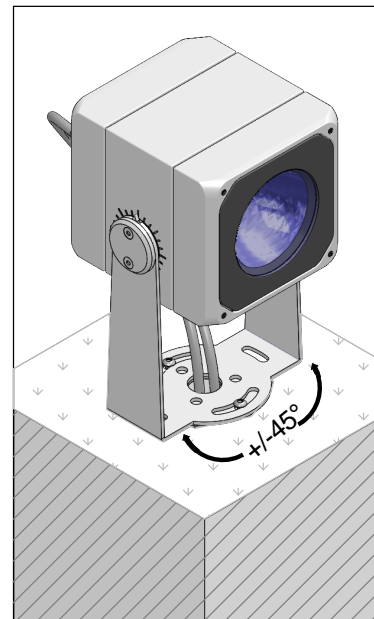
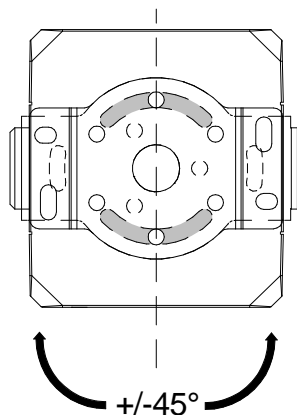
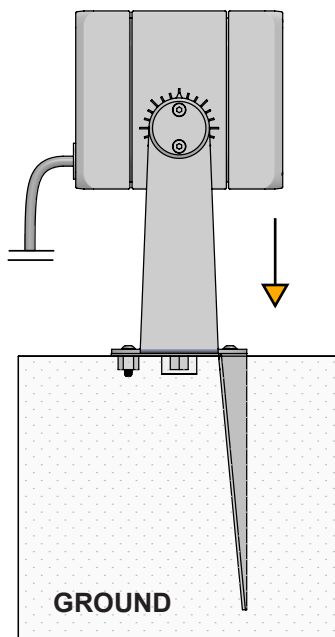
- 1 Earthspike will be installed on the mounting ground and should be stable and sturdy before mounting fixture. Use the appropriate fasteners or anchors to mount the bracket onto mounting surface.



1E3028*
Earth Spike



- 2 Once the earthspike is mounted onto the surface, place the two hex screws through and place the the body of the fixture on top of the mounted bracket. Adjust the fixture to the desire lighting position before locking the two hex screws on top of the mounting bracket.

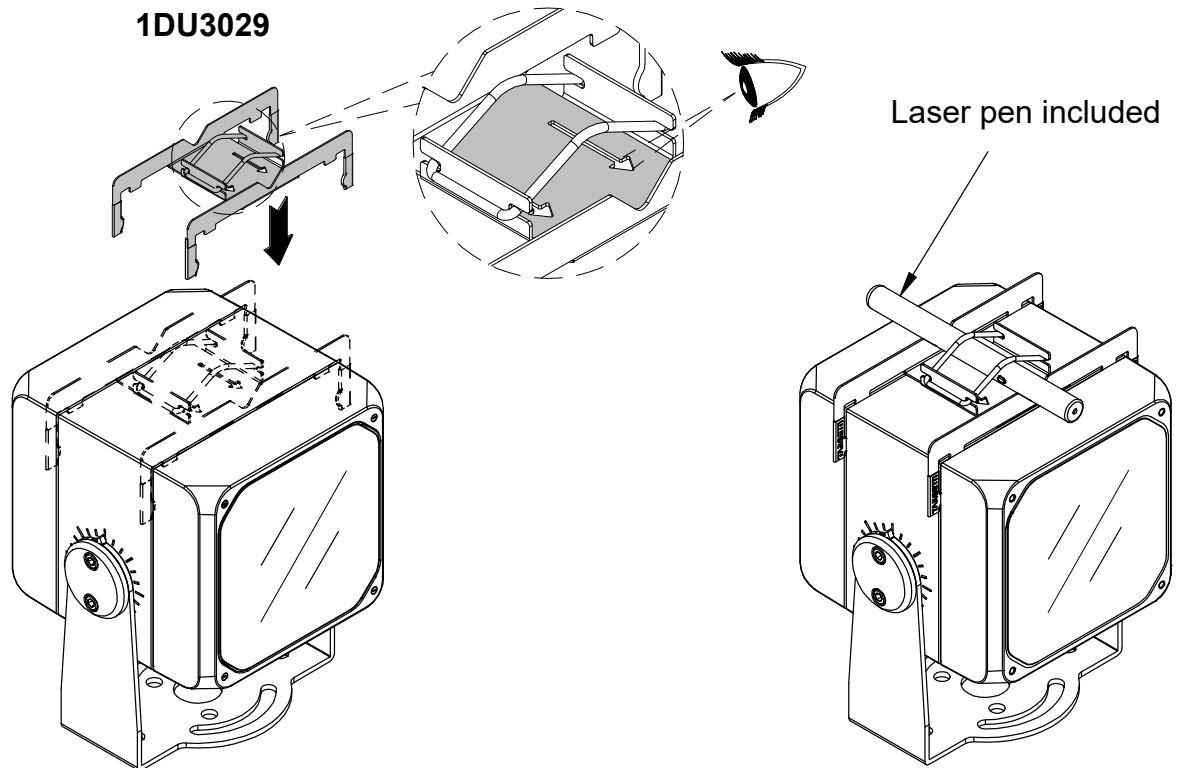


Mounting Installation Cont.

Laser Pointing System

This fixture has the capability of attaching a laser pointing system to efficiently and accurately direct the beam of light to the designated target. Find the laser pointer holder and with the clear band holder side facing up, slide the laser holder down until lays flat on top of fixture.

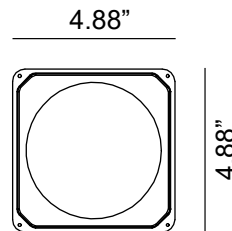
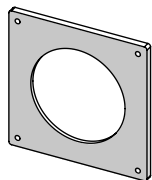
Once the holder is attached on top, you may add the laser pointer on top of the fixture by lifting the band and adding the laser pointing between the groove and the bands as shown by the diagram.



Slide down the positioning bracket from the top side into the grooves on the sides of the fixture and then attach the laser pen for aiming of light.

Optical Accessories

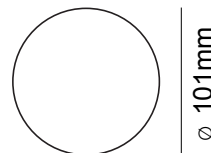
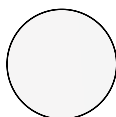
Optical Accessories (Optional)
Maximum of two accessory per fixture



Filter Holder Ring. CNC machined anodized and powder coated aluminum. Required for use of all filters.

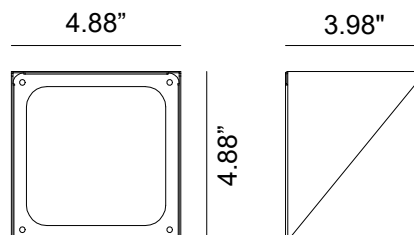
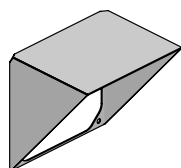
Part No. **1E3022** (*)

- Ferrite Dark Grey (Default)
- Heritage Brown (HB)*
- Bronze (BZ)*
- White (WT)*
- Black (BT)*
- Sandstone Grey (SG)*



'Blade of Light' Linear Spread Lens. PMMA holographic filter. **Not suitable for use with NSP and AYSM optics. To be completed with 1E3022 dedicated holder ring. Does not apply toward maximum accessory count.**

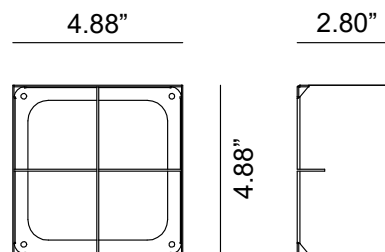
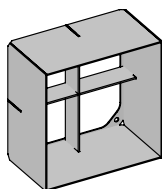
Part No. **1E3023**



Asymmetric Snoot. Powder coated stainless steel. Cutoff 27.6°. **Not compatible with 1E3025.**

Part No. **1E3024** (*)

- Ferrite Dark Grey (Default)
- Heritage Brown (HB)*
- Bronze (BZ)*
- White (WT)*
- Black (BT)*
- Sandstone Grey (SG)*



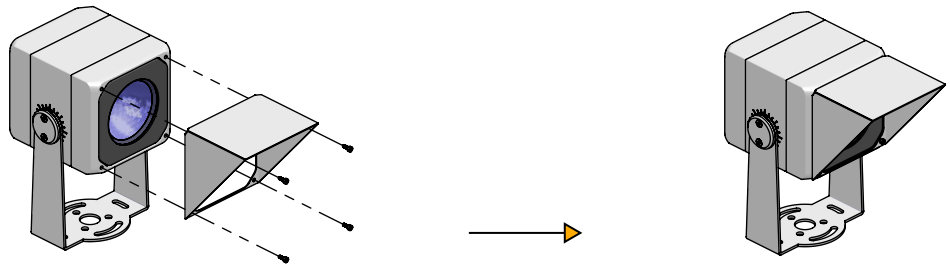
Anti-Glare Louver with removable baffles for different levels of glare control. Extruded powder coat stainless steel. Cutoff 39.2°. **Not compatible with 1E3024.**

Part No. **1E3025** (*)

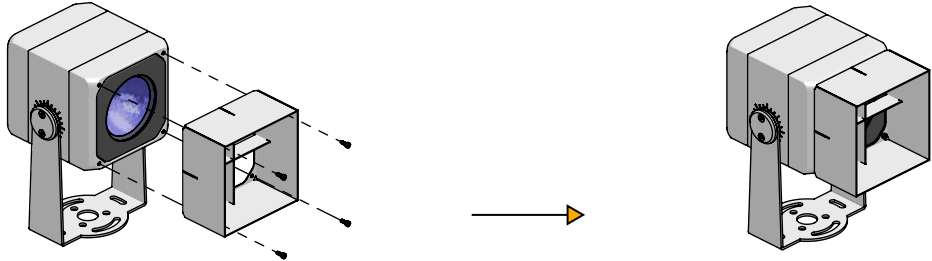
- Ferrite Dark Grey (Default)
- Heritage Brown (HB)*
- Bronze (BZ)*
- White (WT)*
- Black (BT)*
- Sandstone Grey (SG)*

Optical Accessories Installation Options

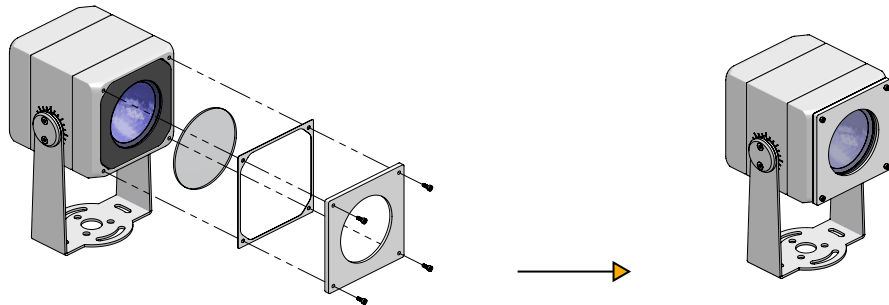
HONEYCOMB ANTI-GLARE LOUVRE



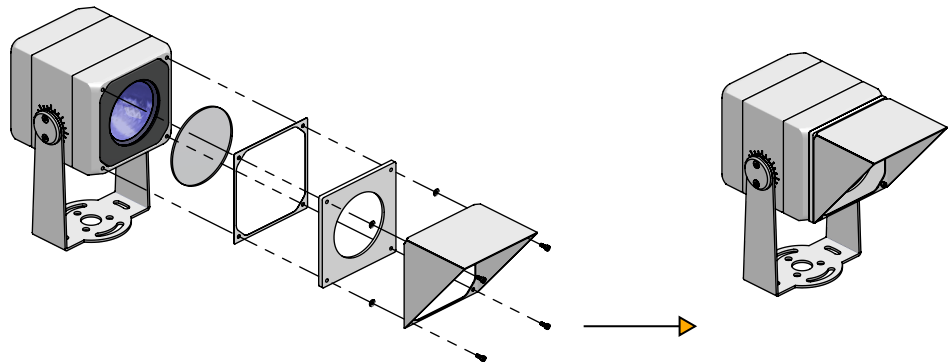
ASYMMETRIC SCREEN



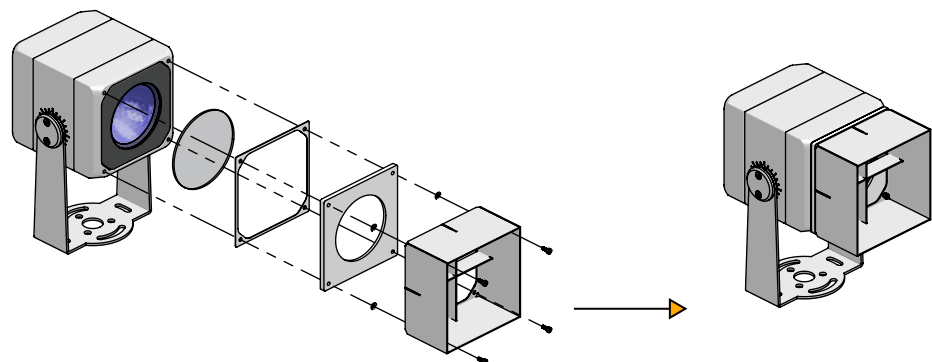
FILTER HOLDER RING



FILTER HOLDER RING AND ASYMMETRIC SNOOT.



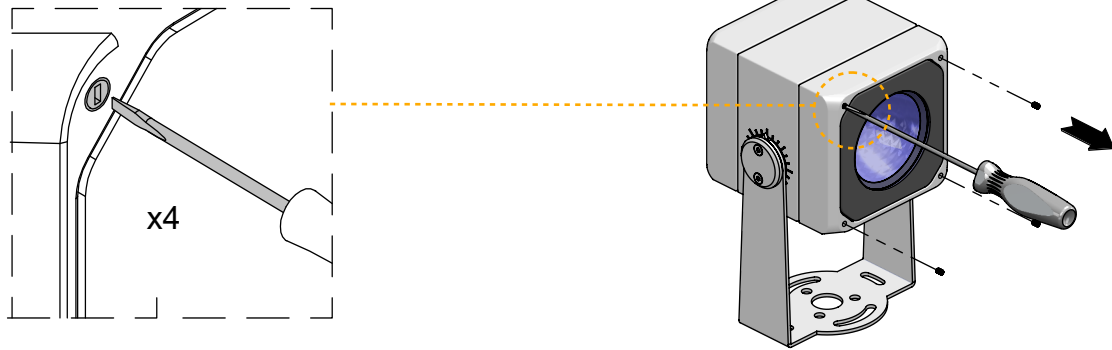
FILTER HOLDER RING AND HONEYCOMB ANTI-GLARE LOUVRE



Optical Accessories Installation

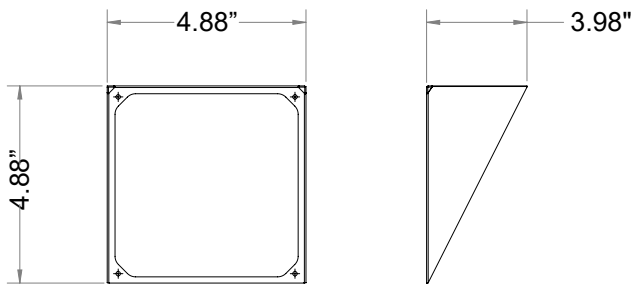
Asymmetric Screen

1

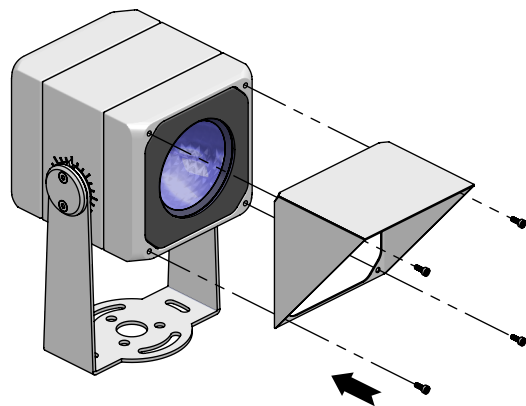


Remove plastic inserts (x4) to fix the accessories

1E3024*

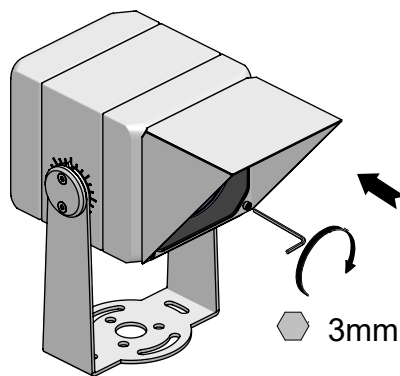


2



Insert Black Spaces between fixture face and Asymmetric Screen

3



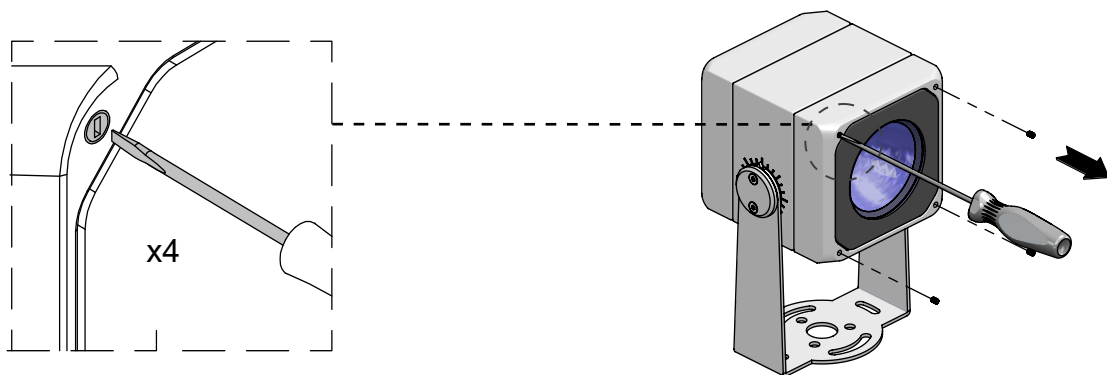
In order to attach accessories onto the fixture, you must first remove the four screw caps off the glass screen.

For the asymmetric screen, use the four hex screws and spaces with the Allen wrench to secure the screen on to the fixture's lens.

Optical Accessories Installation

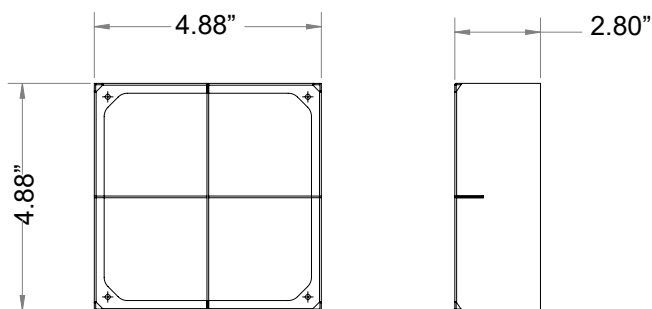
Honeycomb Anti-Glare Louver

1

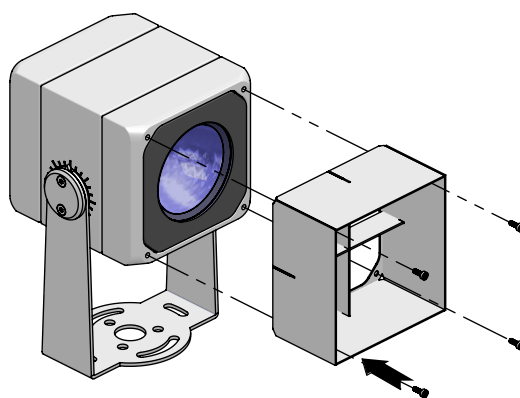


Remove plastic inserts (x4) to fix the accessories

1E3025*

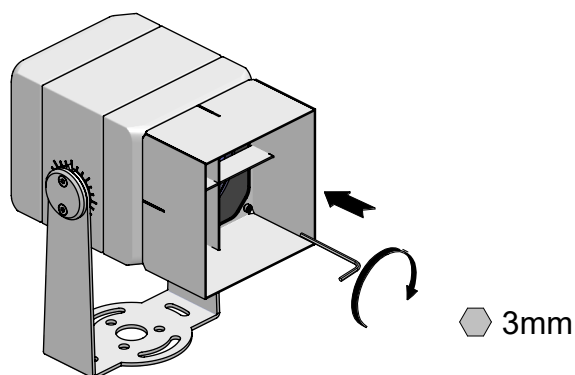


2



Insert Black Spaces between fixture face and Asymmetric Screen

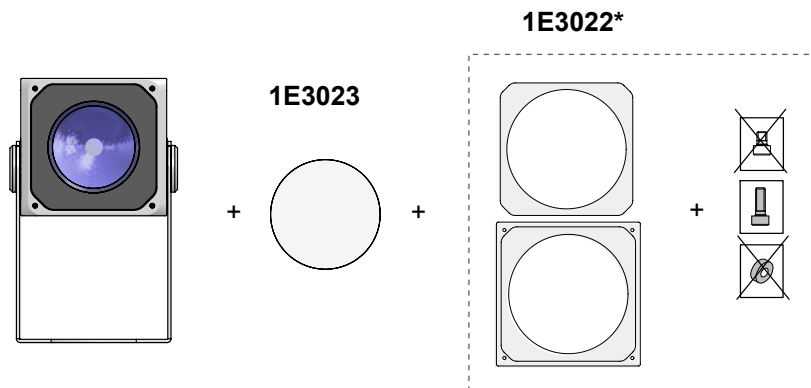
3



In order to attach accessories onto the fixture, you must first remove the four screw caps off the glass screen. Assemble Anti-Glare Louver by forming a "Cross" symbol using both metallic plate components and then insert the cross into the squared component. Then secure the assembled Anti-Glare Louver onto LED fixture's face. Once positioned, insert the 4 screws and spacers (provided) onto the LED fixture face and tighten with a 3mm Allen Wrench to complete installation.

Optical Accessories Installation

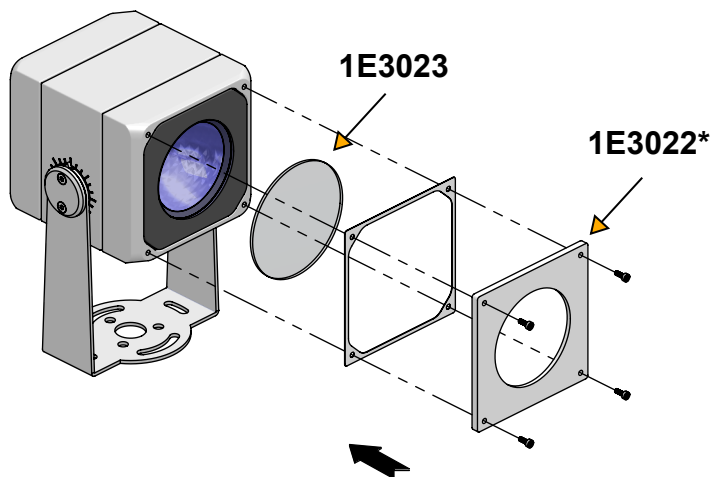
Holder Ring For Filters



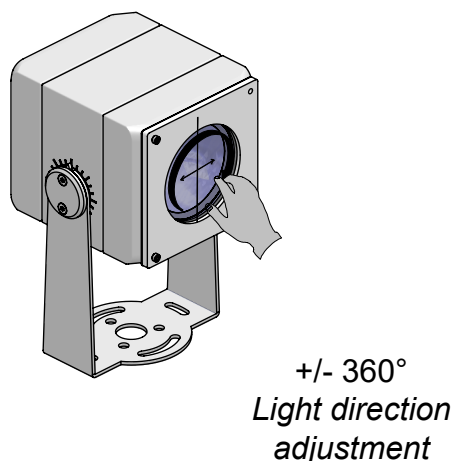
Insert the desired filter in the correct order as shown in the diagram. For the blade of light filter, pick the desired position you want to add the blade of light and attach the filter in the same order as any other filter.

Once the filter, window screen and top glass cover are attached together onto the fixture, use the four hex screws and the Allen wrench to secure the fixture filter together with the body of the fixture. Be sure to tighten the screws to prevent any moisture going into the fixture.

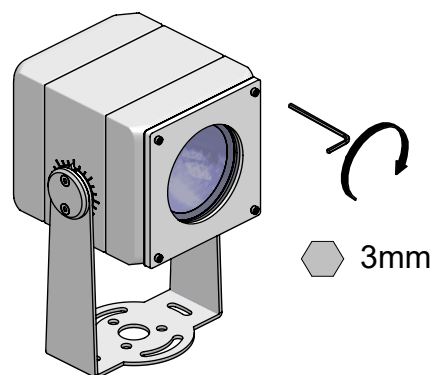
1



2

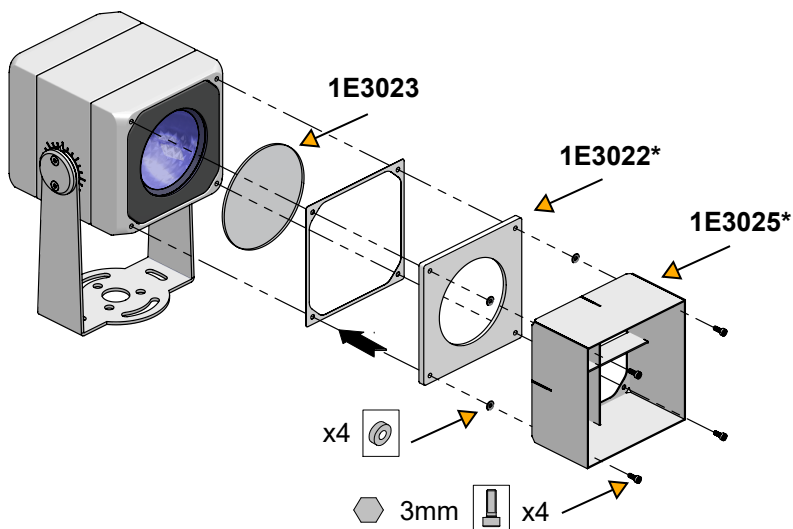
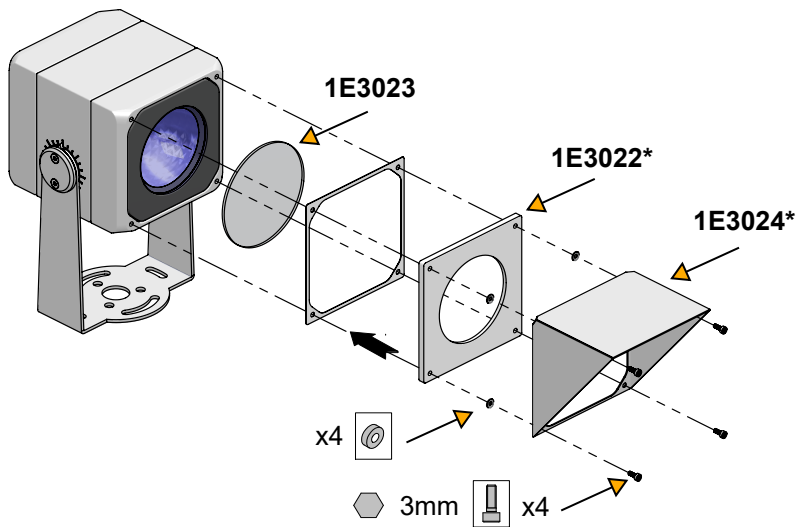
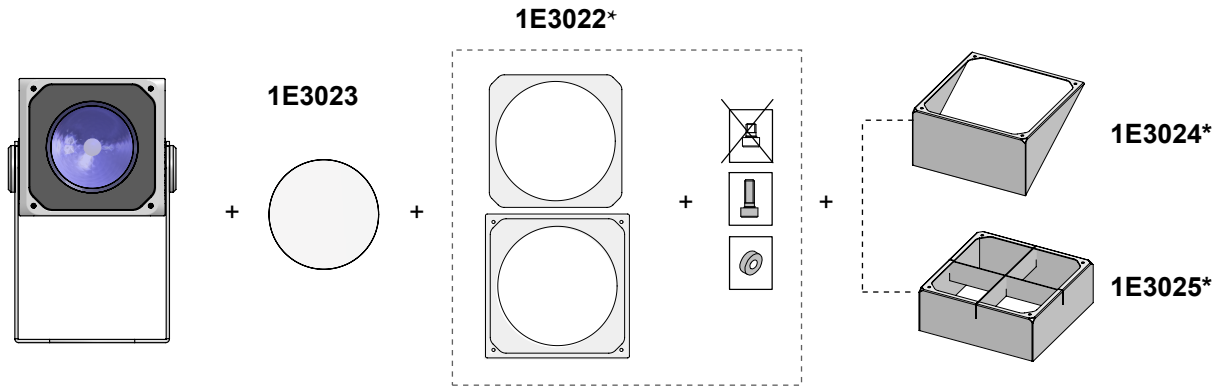


3



Optical Accessories Installation

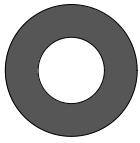
Double Accessories Assembly



This fixture has the feature of attaching two accessories for a vast variety of versatility. Simply place the order of accessories needed before securing the accessories in place. Be sure before securing to provide spacer washers between the two accessories and to use the longer hex screw before attaching and securing in place.

Lumishape Accessories

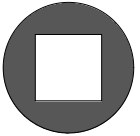
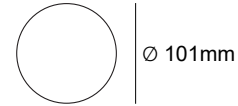
Optical Accessories (Optional)



LUMISHAPE CIRCULAR water jet cut stainless steel light shield. **Performs best with SP optic.**

Finish ● Deep Black

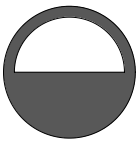
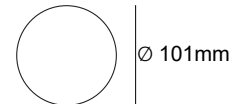
Part No. **LS10102**



LUMISHAPE SQUARE water jet cut stainless steel light shield. **Performs best with SP optic.**

Finish ● Deep Black

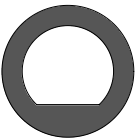
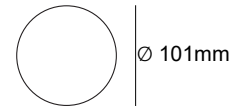
Part No. **LS10104**



LUMISHAPE HALF CIRCULAR water jet cut stainless steel light shield. **Stackable up to 4pcs per fixture; 4pcs accounts to accessory toward maximum accessory count. Performs best with SP optic.**

Finish ● Deep Black

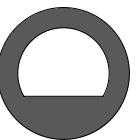
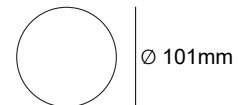
Part No. **LS10105**



LUMISHAPE QUARTER water jet cut stainless steel light shield. **Stackable up to 4pcs per fixture; 4pcs accounts to 1 accessory toward maximum accessory count. Performs best with SP optic.**

Finish ● Deep Black

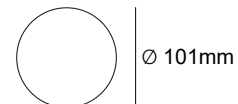
Part No. **LS10106**



LUMISHAPE THRID water jet cut stainless steel light shield. **Stackable up to 4pcs per fixture; 4pcs accounts to 1 accessory toward maximum accessory count. Performs best with SP optic.**

Finish ● Deep Black

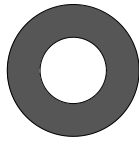
Part No. **LS10107**



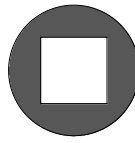
Lumishape Accessories Options

With Lumishape

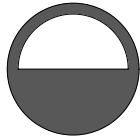
LS10102
Circular Lumishape



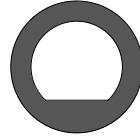
LS10104
Square Lumishape



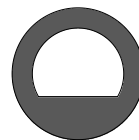
LS10105
Half Lumishape



LS10106
Quarter Lumishape

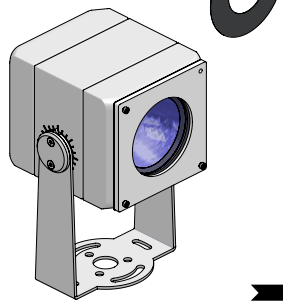


LS10107
Third Lumishape

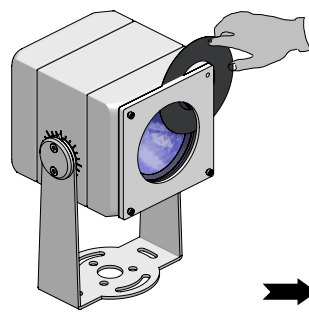


LS101- LUMISHAPE

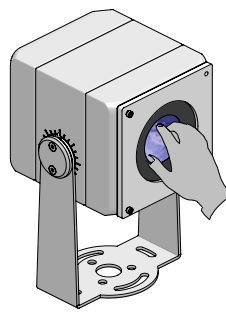
1



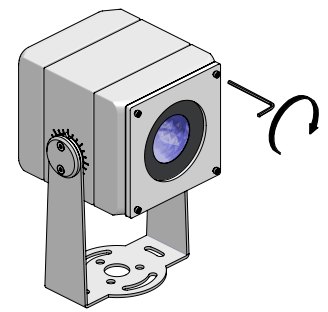
2



3



4

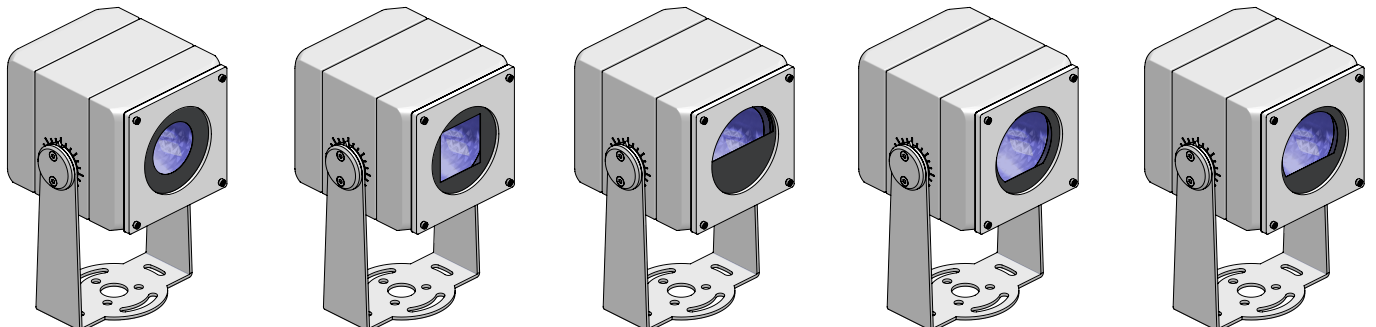


Install Lumishape to between Holder Ring and body of fixture. Sliding under foam gasket.

Adjust Lumishape to center of the Holder Ring and rotate to desired position.

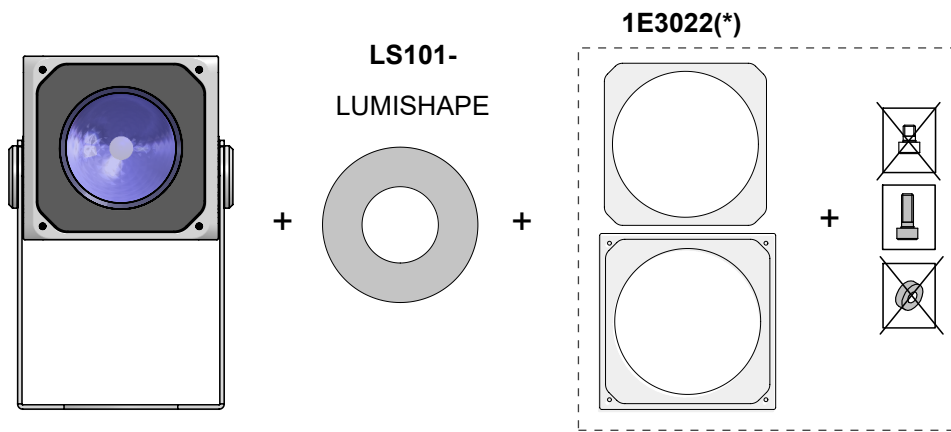
Be sure to tighten the four screws.

Example Installation

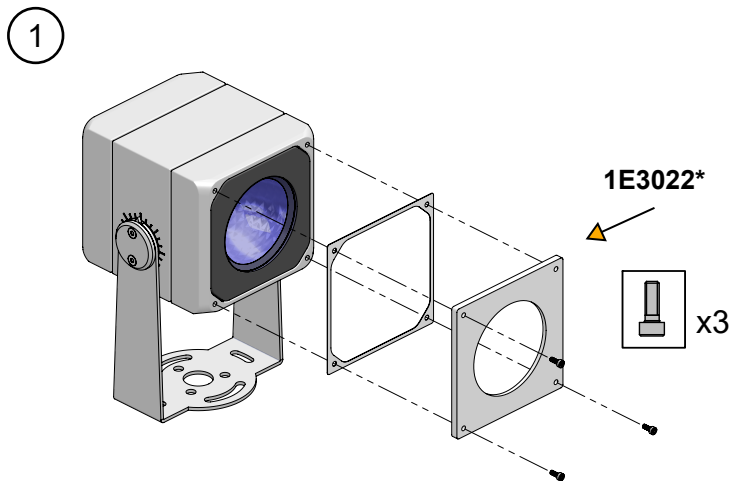


Lumishape Accessories Installation Cont.

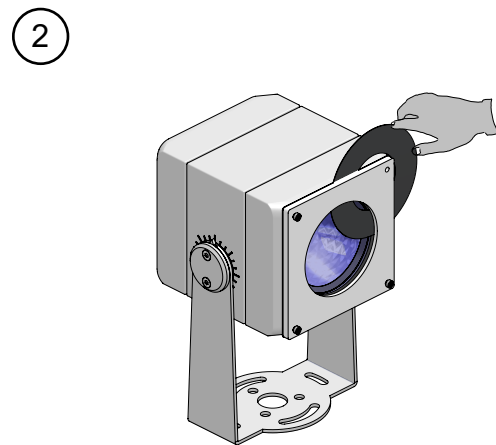
Holder Ring For Lumishapes



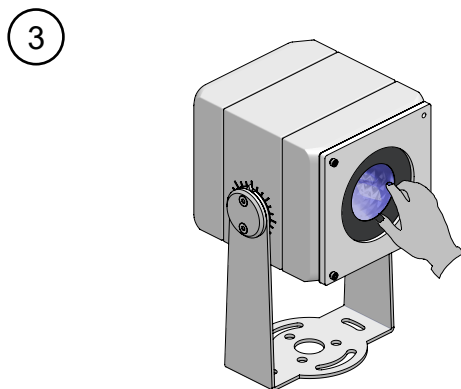
This fixture has the feature of attaching two accessories up to four each lumishape count as accessory for a vast variety of versatility. Simply place the order of accessories needed before securing the accessories in place. Be sure before securing to provide spacer washers between the two accessories and to use the shorter hex screw before attaching and securing in place.



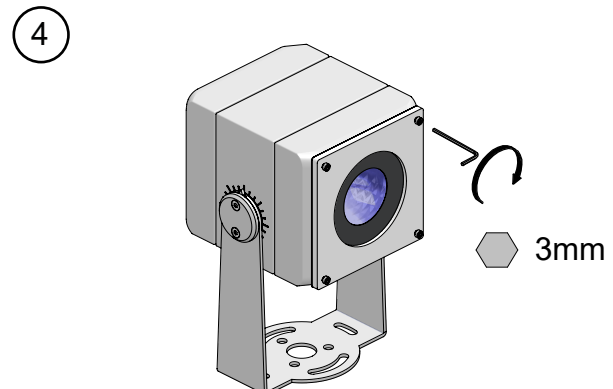
Once Holder Ring is attached onto the fixture, use three hex screws and to loose to secure the Holder Ring together with body of fixture as picture shown.



Install Lumishape to between Holder Ring and body of fixture. Sliding under foam gasket.



Adjust Lumishape to center of the Holder Ring and rotate to desired position.

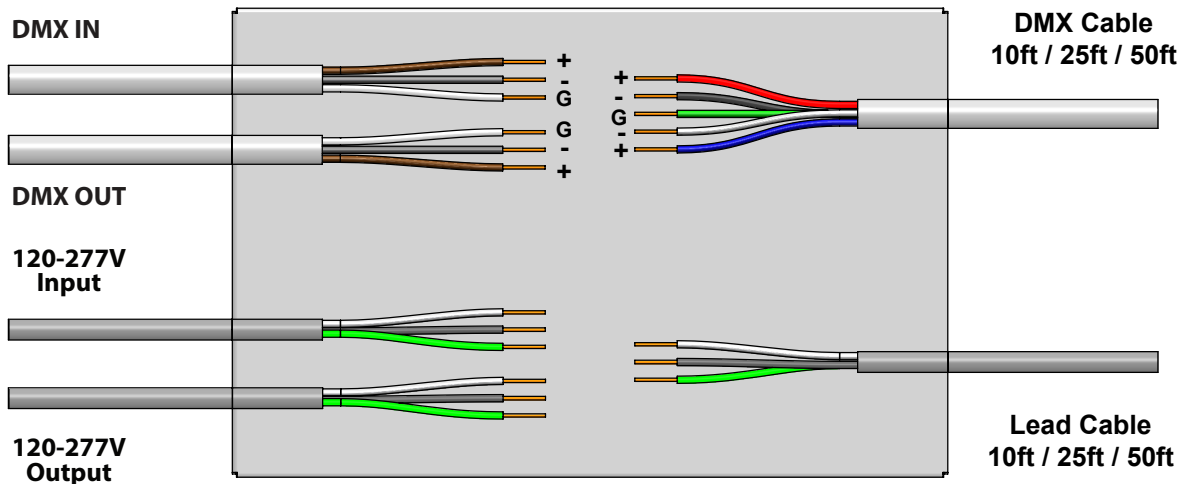
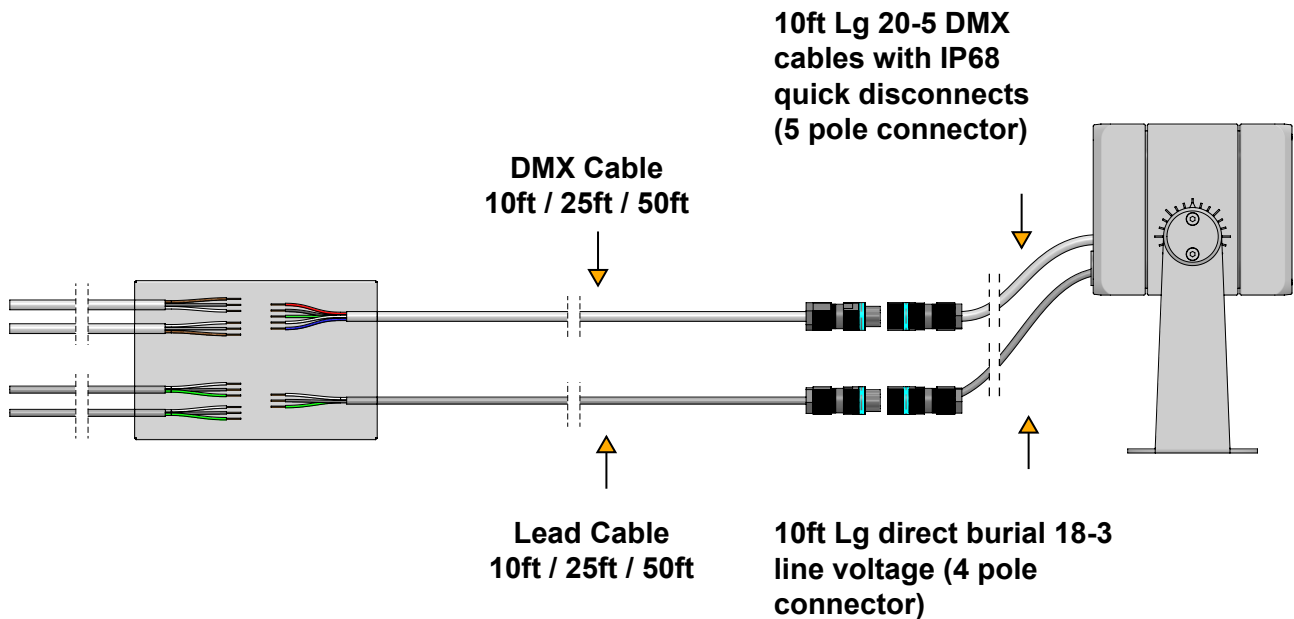


Add fourth screw and tighten the four screws.

Fixture Wiring Diagram

Follow the directions below to complete a successful connection.

- Use proper UL listed waterproof wire connectors depending on conductor size.
- Ground every fixture accordingly.
- Make color coded connections.
- Double check every connection and make sure they are correct and secured.







DMX Control

Targetti DART ROUND MAXI RGBW Fixture are Individually addressable fixtures with direct DMX Connections through each fixture to the next.

It is required that a project layout and address chart of fixture is supplies for factory addressing and labeling of each fixture per clients. Control Specifications Fixture have a preset default to 1/2 power on the red LED if there is no DMX signal corrected. See below for DMX components and suggested factory service options.

CONTROL (OPTIONAL)

Part No.		Channels	Scenes	Zones	Rating	Voltage	Certification	Dimensions	Description
TGDMXSLESAU9		256	20	1	Indoor	5.5V DC	ETL, UL	5.3"W x 5.5"H x 1.9D	Nicolaudio Slesa smart DMX 1/2 universe programmable controller with easy to use software interface.
TGDMXSLESAU11		1024	5	99	Indoor	5VDC 120V AC Plug in power supply included	ETL	6.3" x 3.6" x 1.8"	Nicolaudio Slesa smart DMX interface, 2 DMX 512 universes, intuitive backlit keyboard programmable controller with easy to use software interface.
TGDMXSTICKDE3B		1024	10	500	Indoor	6-7V DC 120V AC Plug in power supply included	ETL	5.8" x 4.2" x 0.5"	Nicolaudio intelligent control keypad with glass touch sensitive graphic display, stand-alone DMX 512, 2 universe programmable controller with easy to use software interface. Black finish.
TGDMXSTICKDE3W		1024	10	500	Indoor	6-7V DC 120V AC Plug in power supply included	ETL	5.8" x 4.2" x 0.5"	Nicolaudio intelligent control keypad with glass touch sensitive graphic display, stand-alone DMX 512, 2 universe programmable controller with easy to use software interface. White finish.



USB-RDM Programmer code. DMX-RDM (Remote Device Management) address planner. Used with the "RDM Targetti" software that can be [downloaded for free from the Targetti USA website](#). To be used with all RGBW products. The USB-RDM programmer manages to direct DMX-RDM fixtures if there are no BUFFER or Splitter DMX on the section.

Part No. **1E2767**

DMX CABLE RECOMMENDATION

Targetti USA recommends use of Belden 3105A DMX outdoor cable for homeruns from controller to first fixture. Max distance of 800ft from controller to last fixture.

Service Options

PRE-SHIP ADDRESSING

A Targetti technician shall factory address each fixture per the project addressing chart (provided by customer) prior to shipping. The project addressing chart shall be received prior to fixture shipping. If fixture addressing chart is not received, fixture will be default addressed at 001. Targetti shall not be responsible for delays due to the requested addressing configuration not being provided within the requested time-frame.

ALTERNATIVE

PRGM02

Before, during or after fixture rough in installation is completed, a Targetti technician shall travel to the installation site. The project is reviewed and checked for proper wiring, installation and functionality of the primary power and control systems before Control system operation is switched on. Any installation issues are addressed and resolved with the onsite contractors. All fixture addressing is confirmed and can be changed as required, the the Targetti technician will perform this task in accordance to the intended lighting design. For local installations (within 50mi of Costa Mesa, CA), consult factory. Travel expenses excluded and billed separately.

PRGM03

After fixture installation is complete, a Targetti technician shall travel to the installation site to assist contractor and/or systems integrator to trouble shoot issues that are resulting in non-operation or incorrect function of the system when connector into Control Systems Protocols. The project is reviewed and checked for proper wiring, installation and functionality of the system and proper System data flow from Control, Gateways and Fixtures. Any installation/control issues are addressed and resolved with the onsite contractors. If onsite fixture programming is required, the Targetti technician will perform this task in accordance to the intended lighting design. For local installations (within 50mi of Costa Mesa, CA), consult factory. Travel expenses excluded and billed separately.

PRGM04

A Targetti technician shall provide overall control training for end users / the facility maintenance team. This training covers overall usability of the lighting control(s), focusing on functionality and programming.

Maintenance

This fixture was designed and manufactured for a durable, long lasting use with minimum care. To ensure the maximum lifespan of this product, we encourage our customers to provide a quality visual inspection of the fixture and installation accessories every six months.

If there are any visible signs of issues (i.e moisture or dust) during the inspection, please clean any of the dust or moisture with a soft cloth and check to make sure that any of the fixtures are still operating normally. If there are any issues regarding the fixture, please contact us as we will assist the situation at hand.

Support

Any questions, problems, or comments you have please feel free to contact our Customer Service department during our business hours Monday-Friday 8am-5pm via: Email: usaorders@targetti.com
Phone: (714) 513-1991

Visit our website: <http://www.targettiusa.com>