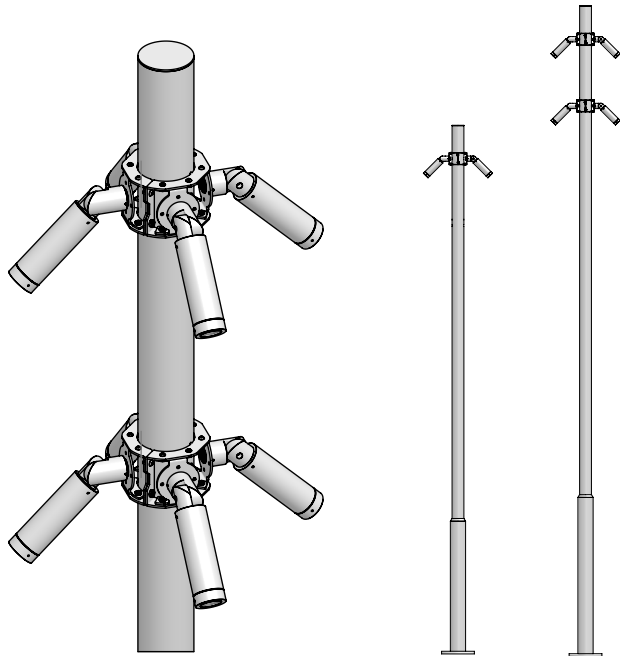




BULLETTO LINE EVENT POLE

BLT41FEL1-
BLT41FEL2-

MULTI-HEADED EVENT POLE WITH
PROFESSIONAL ADJUSTABLE FLOODLIGHT
PROJECTORS



WARNING

To ensure a maximum efficient use of the product, read the instructions before proceeding installment.



This fixture must be installed by a licensed and qualified electrician. The installer must comply with NEC and local building codes when installing the fixture.



Electrical current can cause painful shock, serious injury, or even death. Make sure you turn off the power supply, ground fixture(s), and make sure all electrical connections are correct and secured tightly.



For use in IP66 installations.



Keep the label of the original packaging if any eventual future claims are needed.

120-277V AC K08   -13°F  +95°F

If in doubt about the symbols refer to catalog or website.

BULLETTO LINE FIXTURE

Ferrite Dark Grey

(Must be ordered with "PM" option part number extension for 25ft cable).

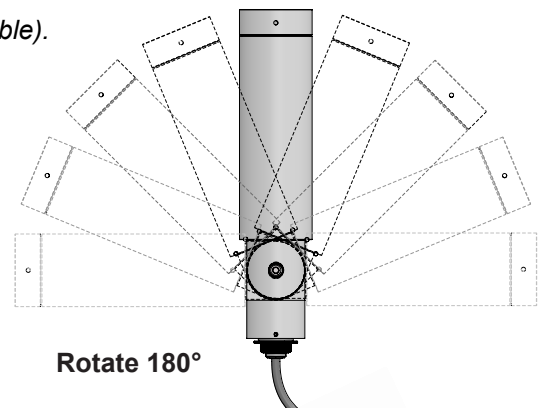
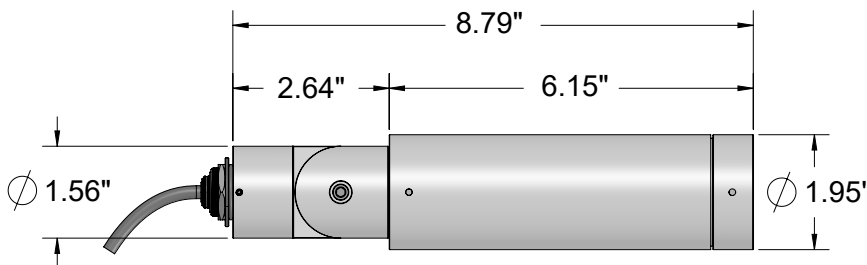


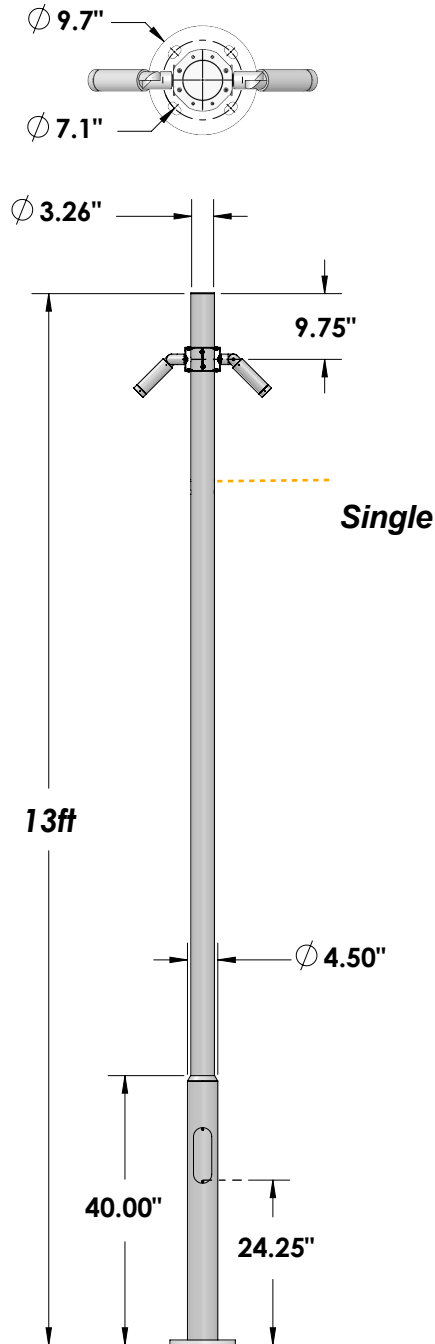
Table of Contents

Packaging Contents
Pole Accessories / Installation
Pole Diagram
Optical Accessories / Installation
Maintenance / Support

Pg.2/5
Pg.6/11
Pg.12/15
Pg.16/19
Pg.20

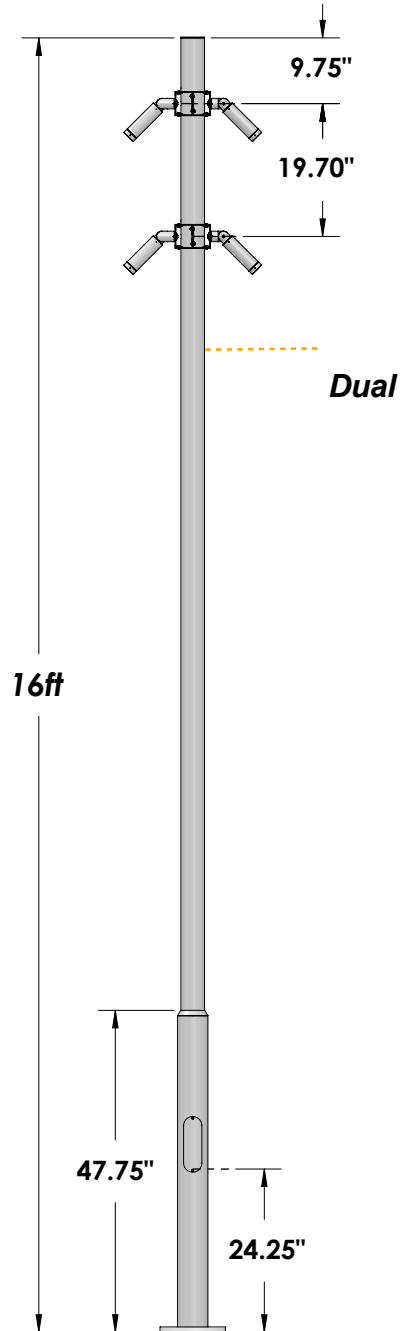
Packaging Contents / Dimensions

EVENT POLE (REQUIRED)



1USP01FE13S - SINGLE

13ft round powder coated steel pole.
 Hot-galvanized EN ISO 1461 with
 integral hatch door for utility power.
Maximum of 1 bracket (4 fixtures).



1USP01FE16S - SINGLE

1USP01FE16D - DUAL

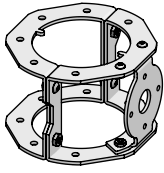
16ft round powder coated steel pole.
 Hot-galvanized EN ISO 1461 with integral
 hatch door for utility power.
Maximum of 2 bracket (8 fixtures).

Textured finish

- Ferrite Dark Grey

Packaging Contents / Dimensions Cont.

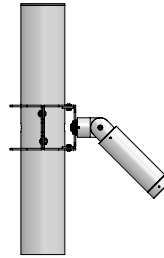
MOUNTING BRACKET (REQUIRED)



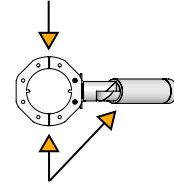
Mounting bracket, 1 fixture

Finish ● Ferrite Dark Grey

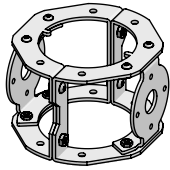
Part No. **1USP01BKTFES**



Pole Bracket Seam



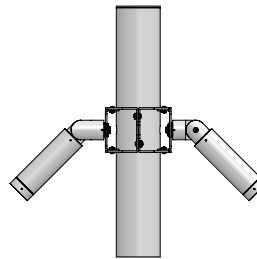
Important to align fixture to mount away from Pole Bracket Seam.



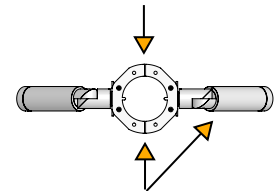
Mounting bracket, 2 fixture

Finish ● Ferrite Dark Grey

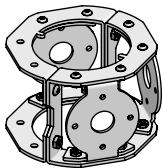
Part No. **1USP01BKTFED**



Pole Bracket Seam



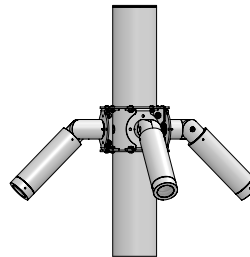
Important to align fixture to mount away from Pole Bracket Seam.



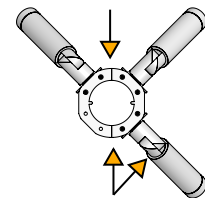
Mounting bracket, 3 fixture

Finish ● Ferrite Dark Grey

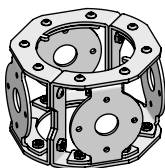
Part No. **1USP01BKTFET**



Pole Bracket Seam



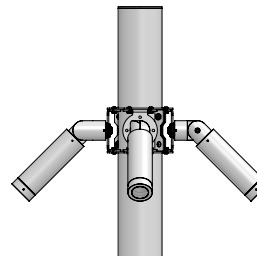
Important to align fixture to mount away from Pole Bracket Seam.



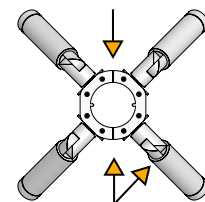
Mounting bracket, 4 fixture

Finish ● Ferrite Dark Grey

Part No. **1USP01BKTFEQ**



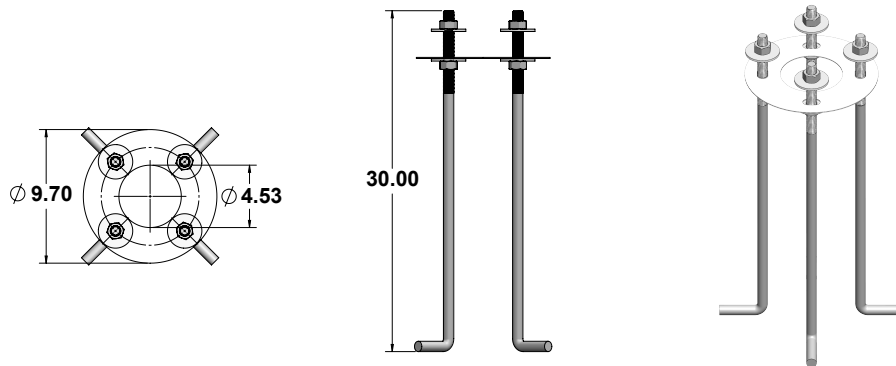
Pole Bracket Seam



Important to align fixture to mount away from Pole Bracket Seam.

Packaging Contents / Dimensions Cont.

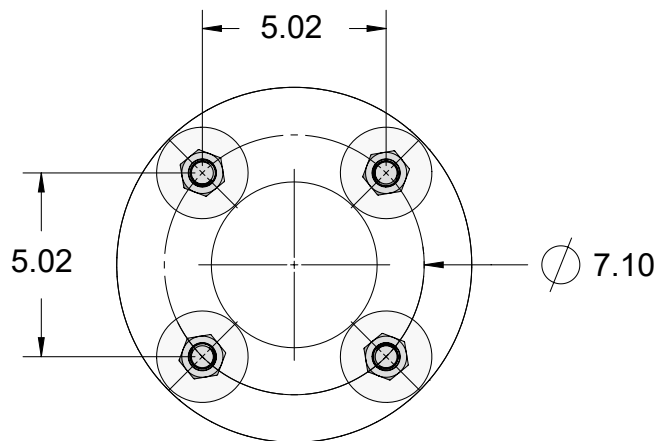
MOUNTING (REQUIRED)



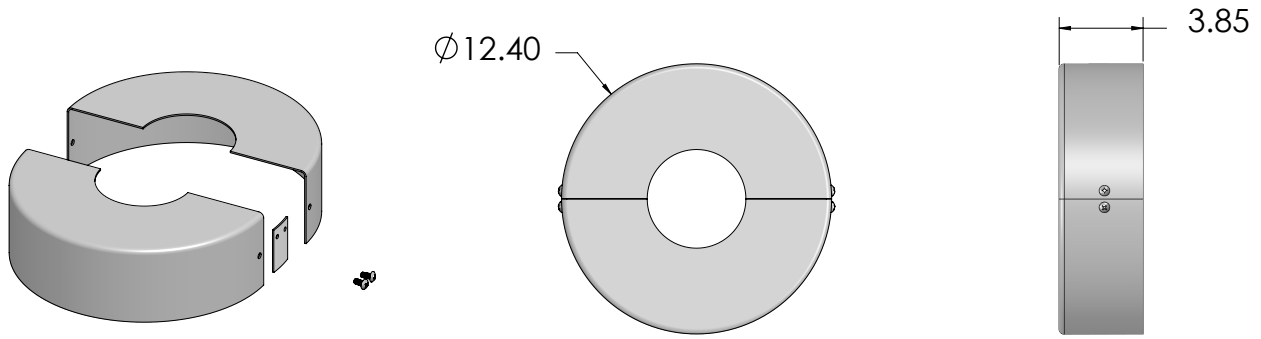
Part No. 1USE001-

Pole anchor kit. 4ea 3/4"x 30" 'J' anchor bolts, 8ea hex nuts and washers, 1ea template. **(REQUIRED per pole)**

Bolt Pattern Template



Pole Accessories (Optional)



Aluminum decorative pole base cover.

Part No. **1USP01CVR02FE**

Iron decorative pole base cover. To be used in environments that may have impact.

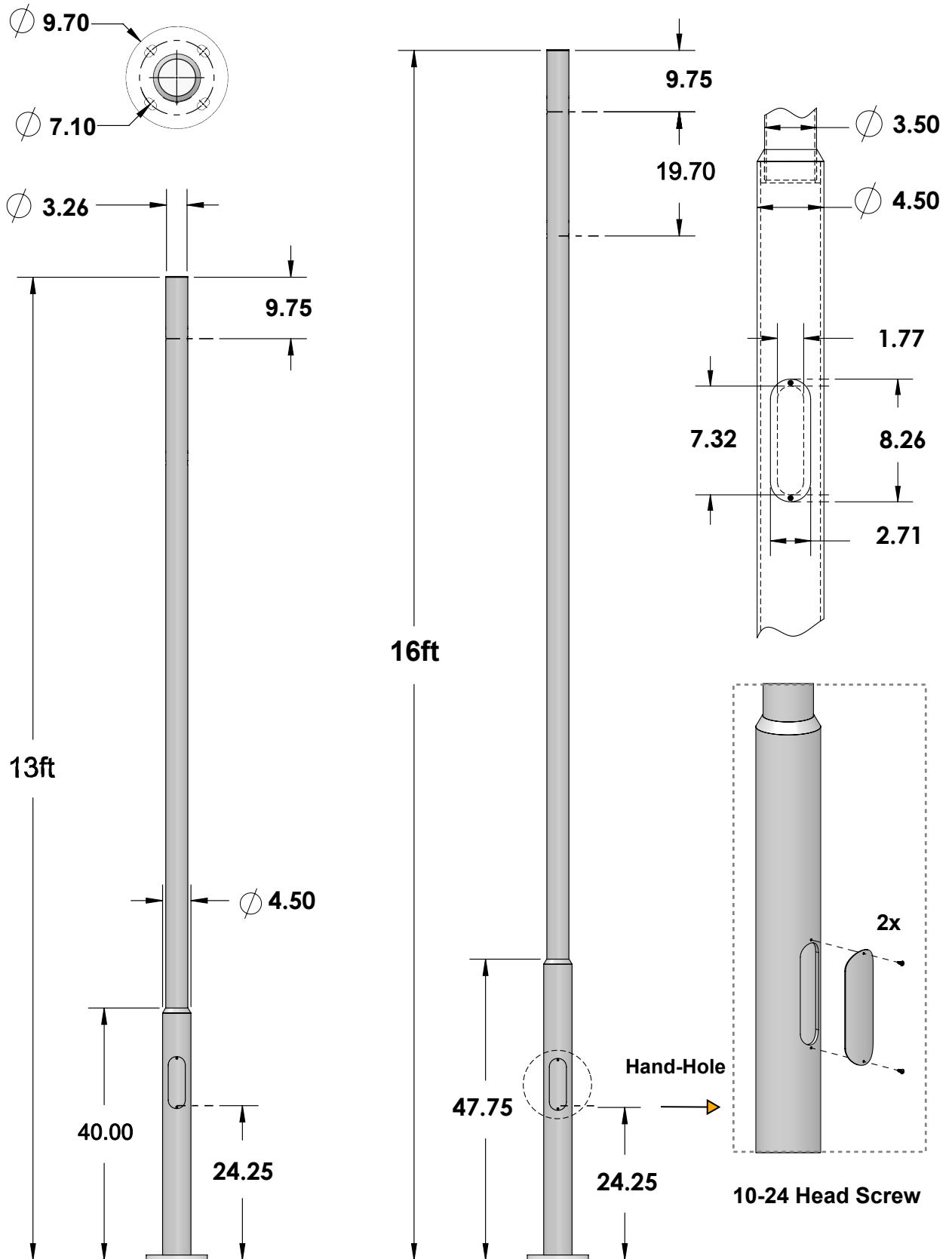
Part No. **1USP02CVR01FE**

Finish ● Ferrite Dark Grey

Pole Accessories Installation

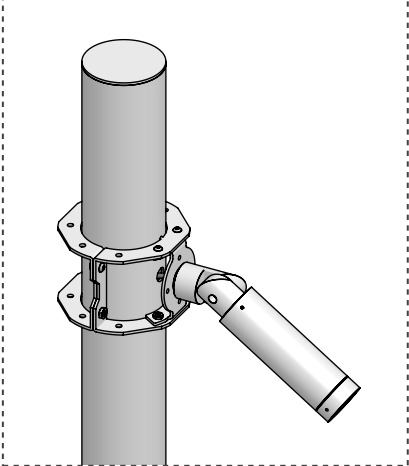
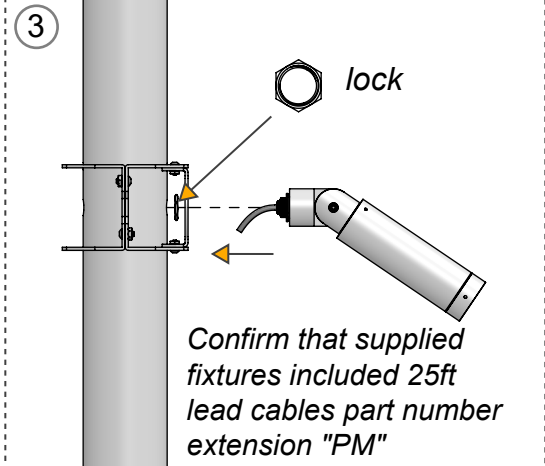
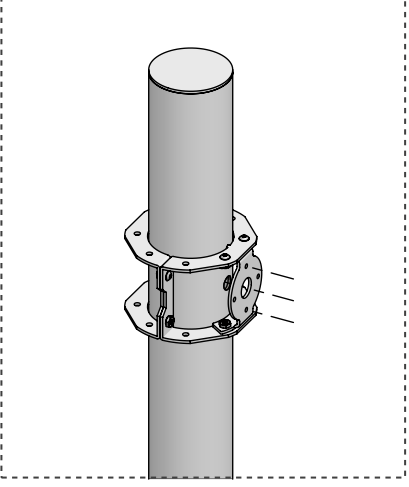
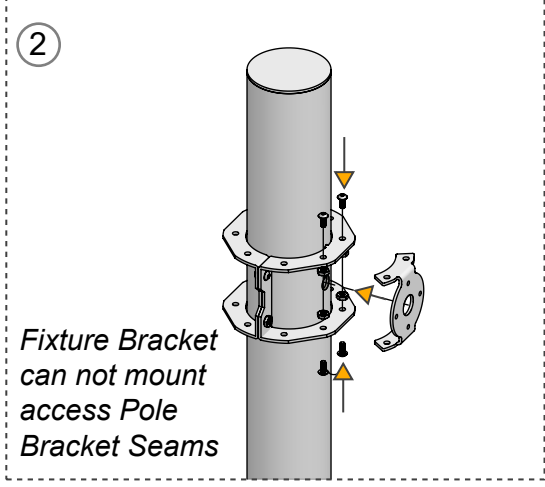
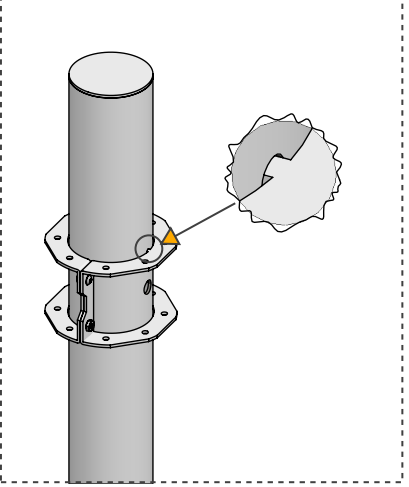
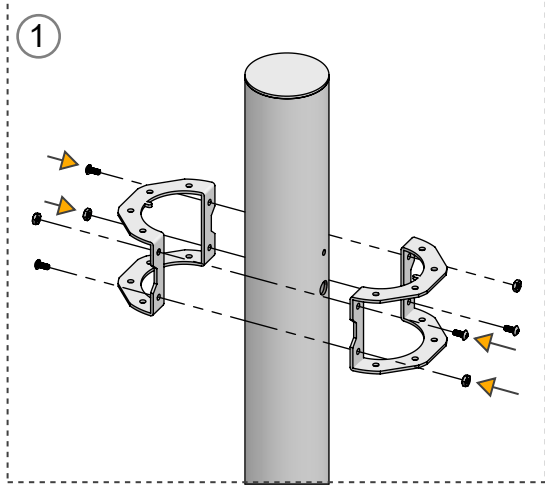
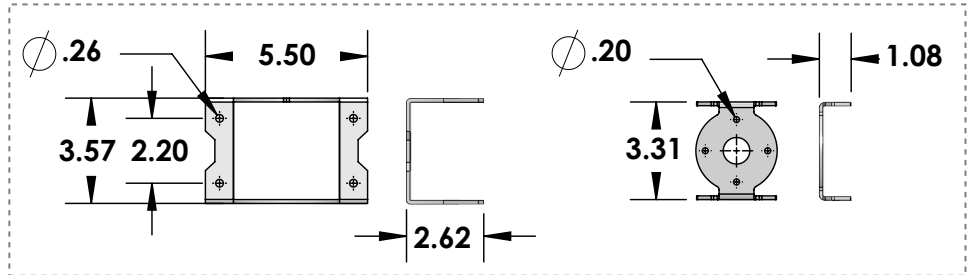
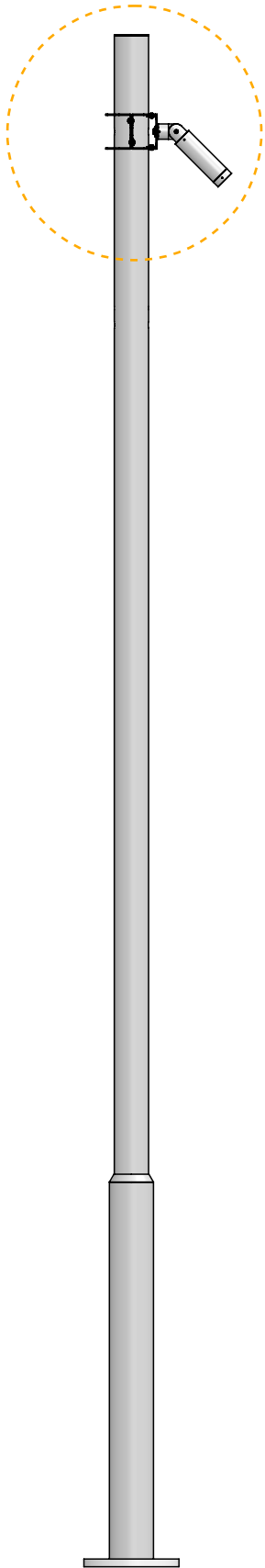
Select height of pole

Dependant on fixture compatibility and configurations.



Pole Accessories Installation Cont.

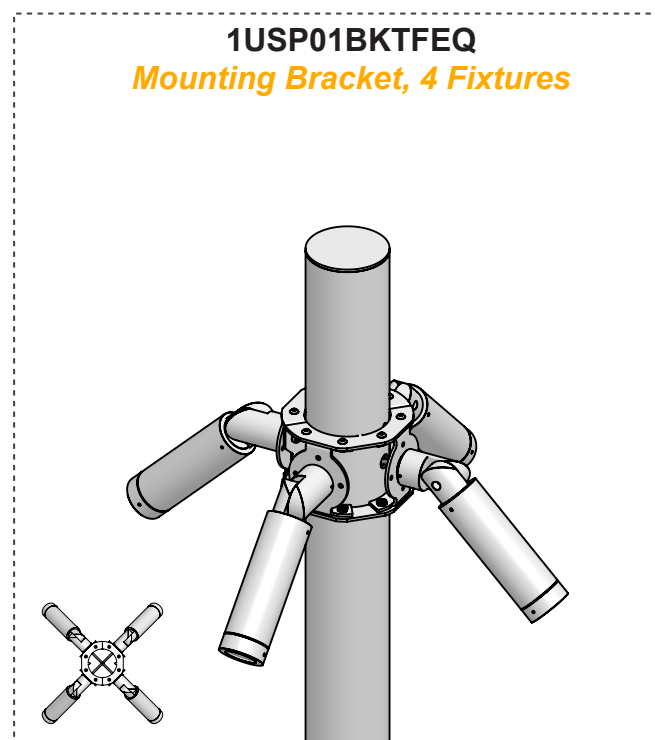
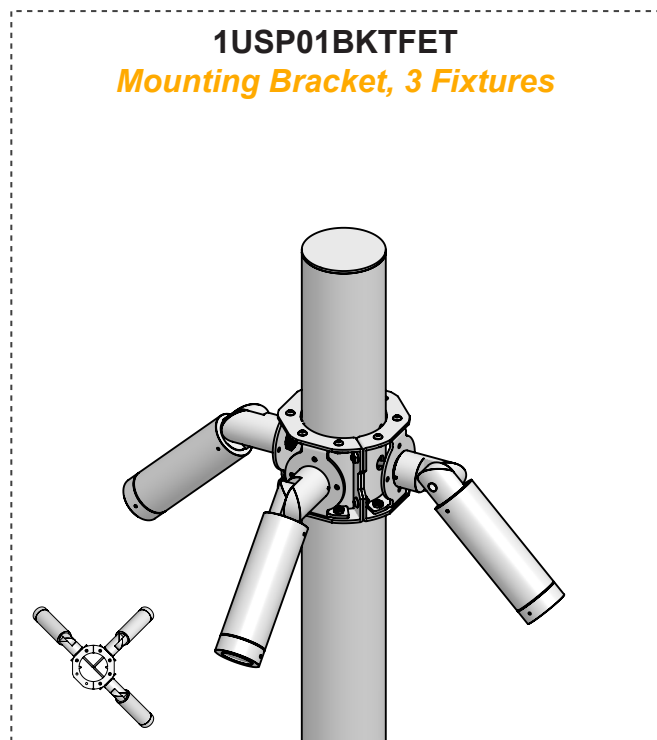
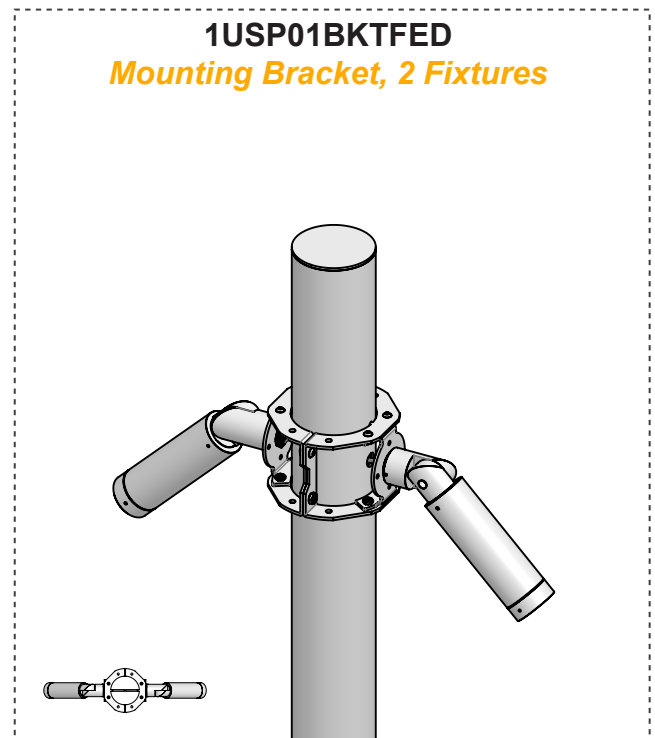
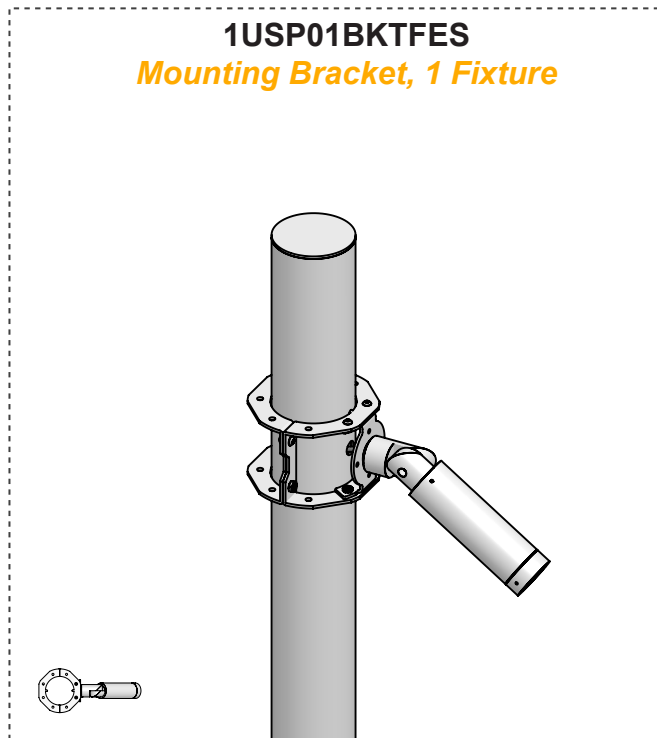
MOUNTING SINGLE BRACKET



Pole Accessories Installation Cont.

Select number of fixtures on each bracket, relative to each level desired.

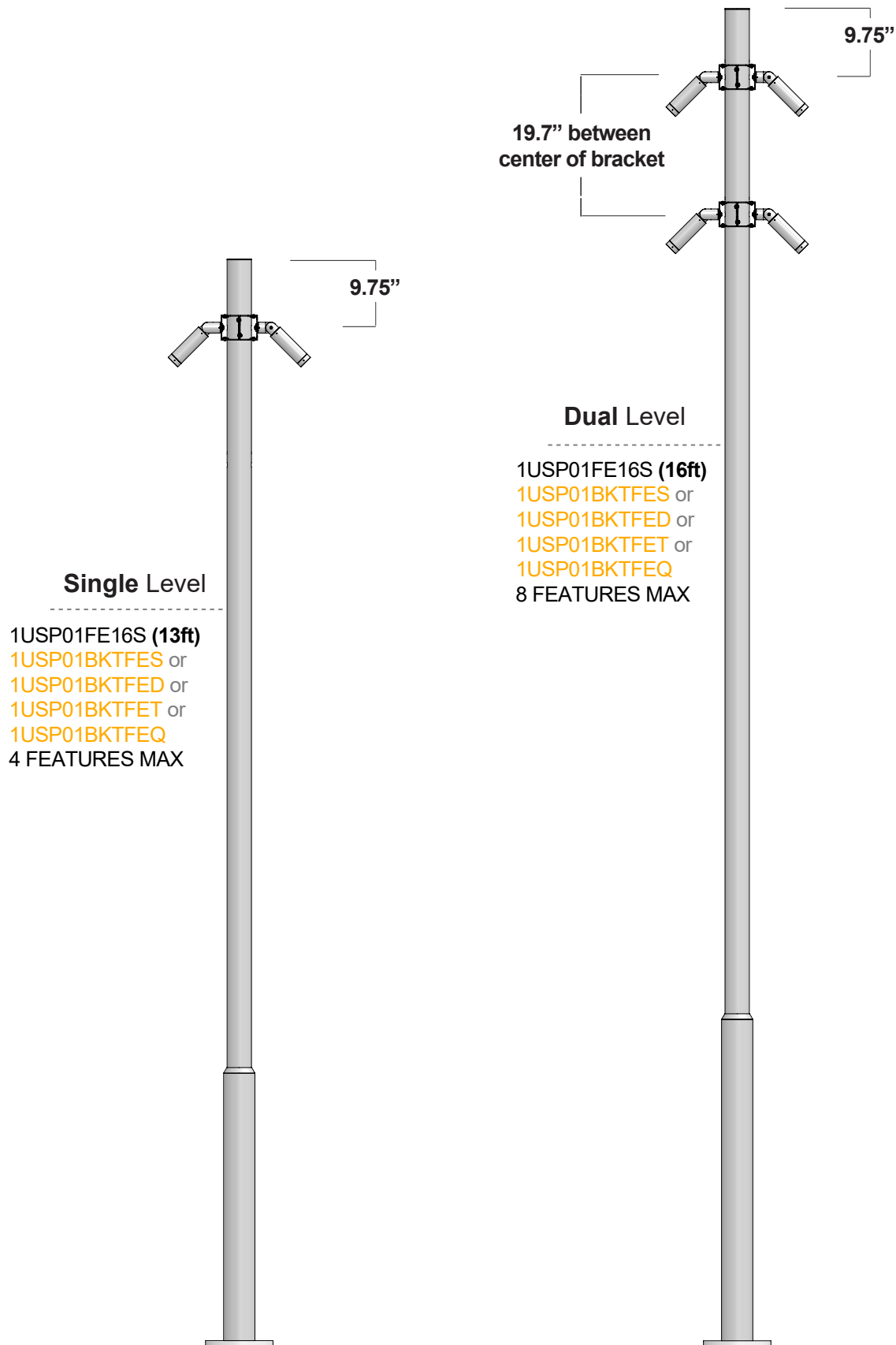
Dependant on fixture compatibility and configurations.



Pole Accessories Installation Cont.

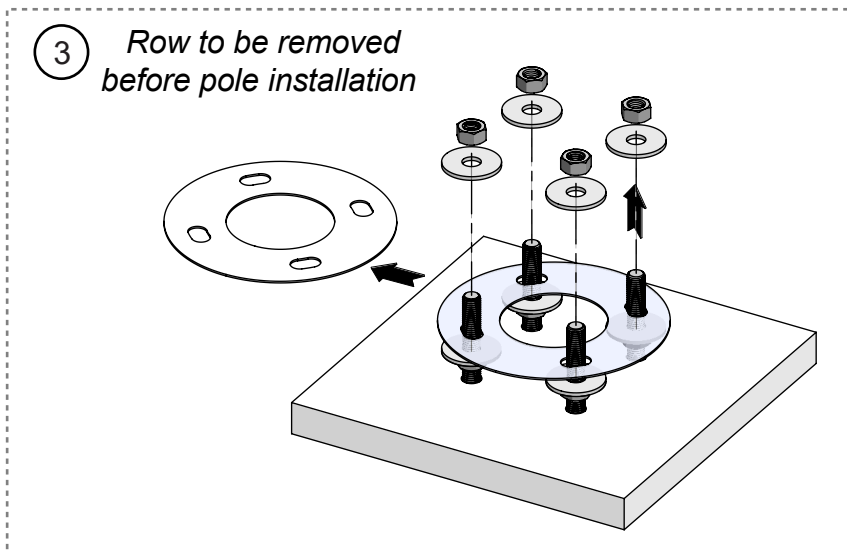
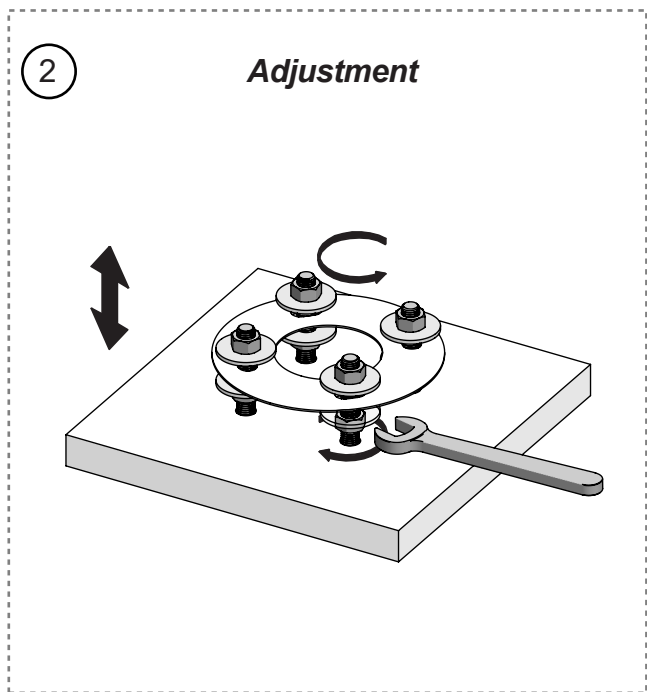
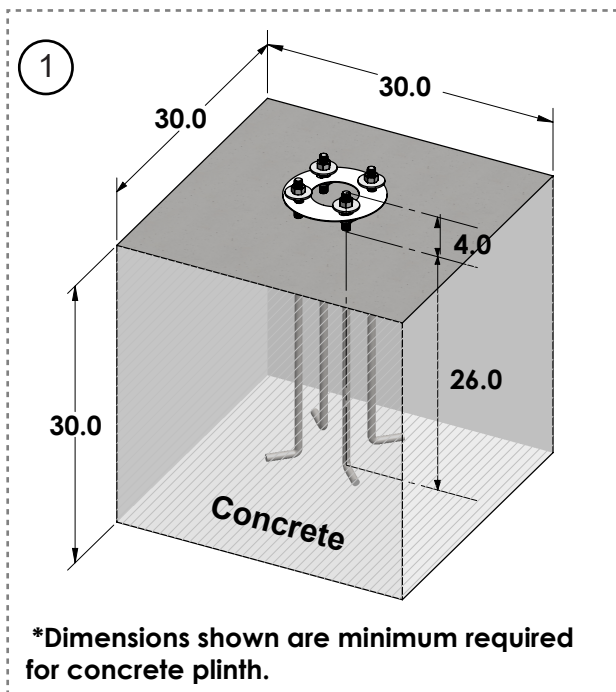
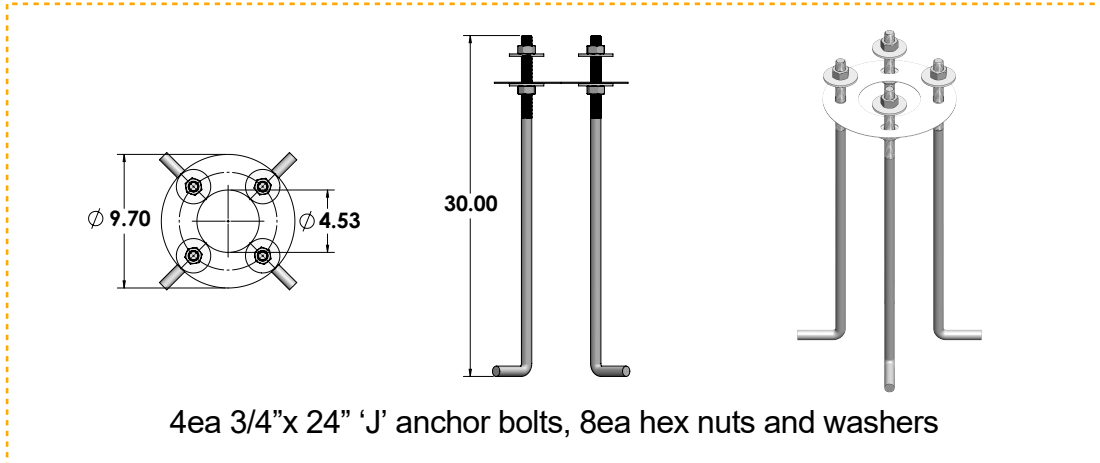
Select number of configuration levels

Dependant on fixture compatibility and configurations.



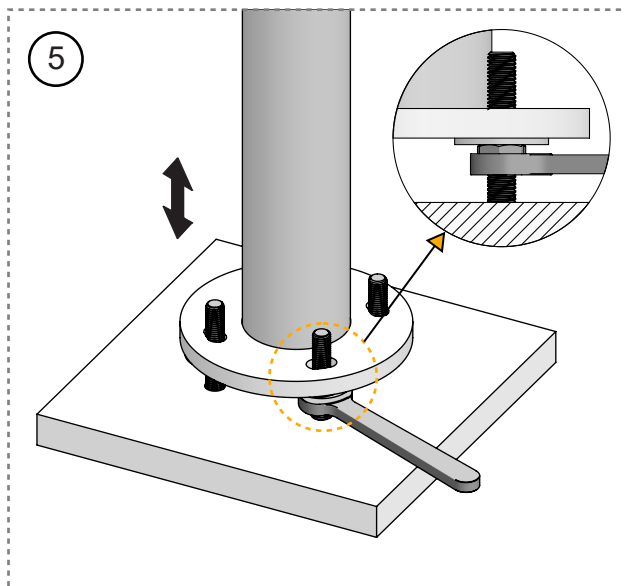
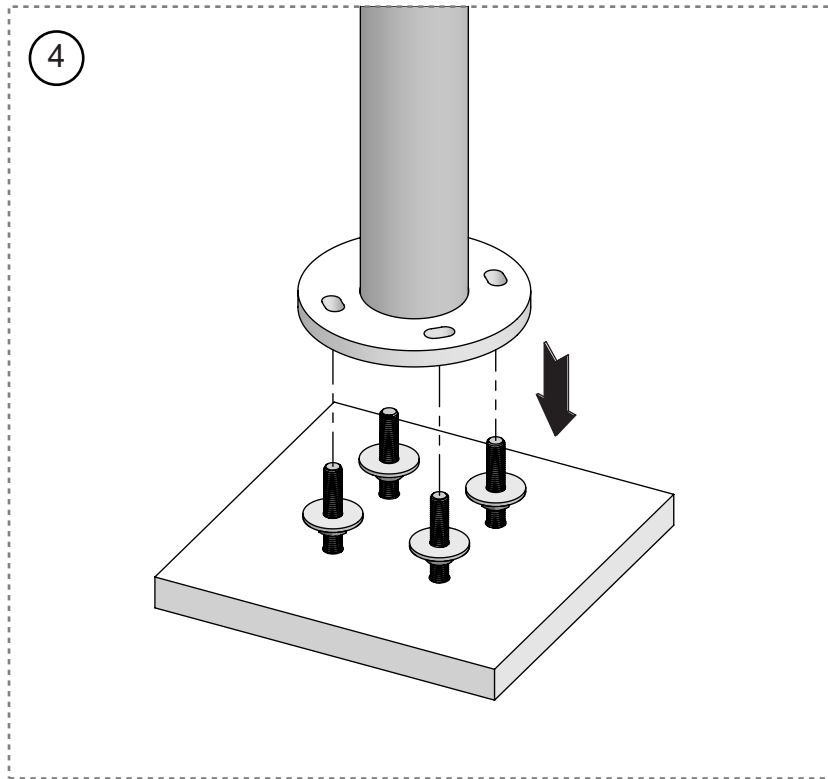
Pole Accessories Installation Cont.

1USE001-

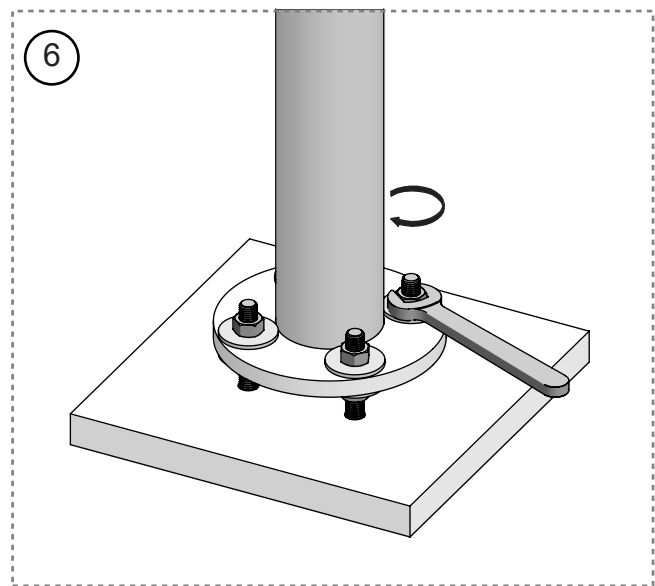


Pole Accessories Installation Cont.

1USE001-



Level

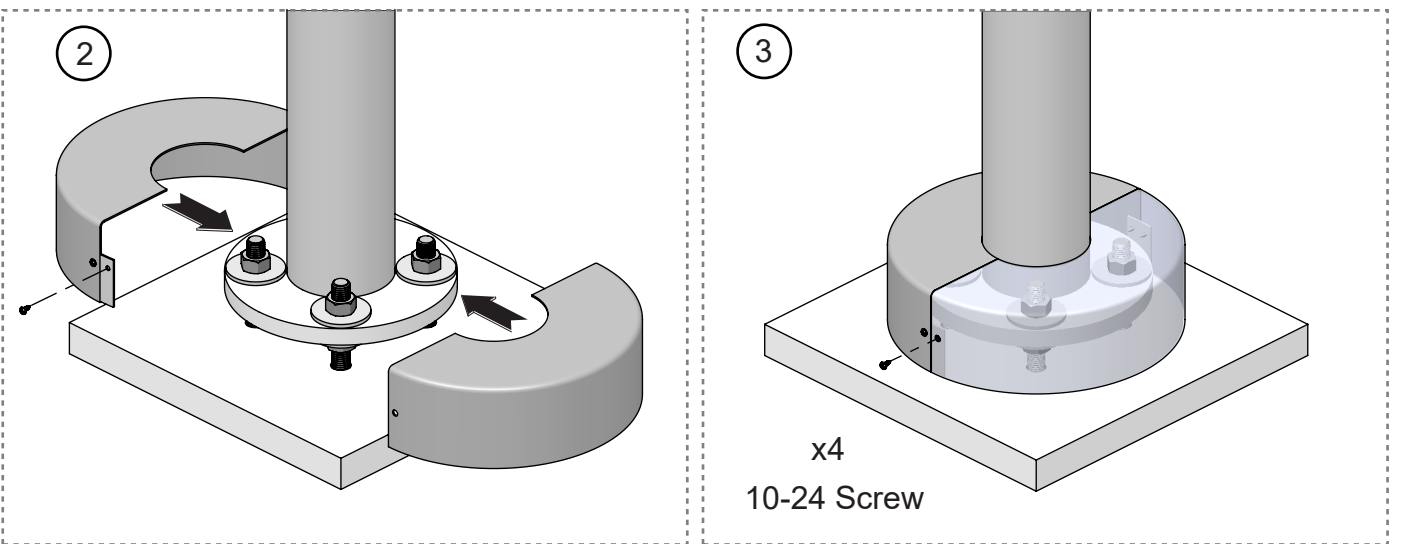
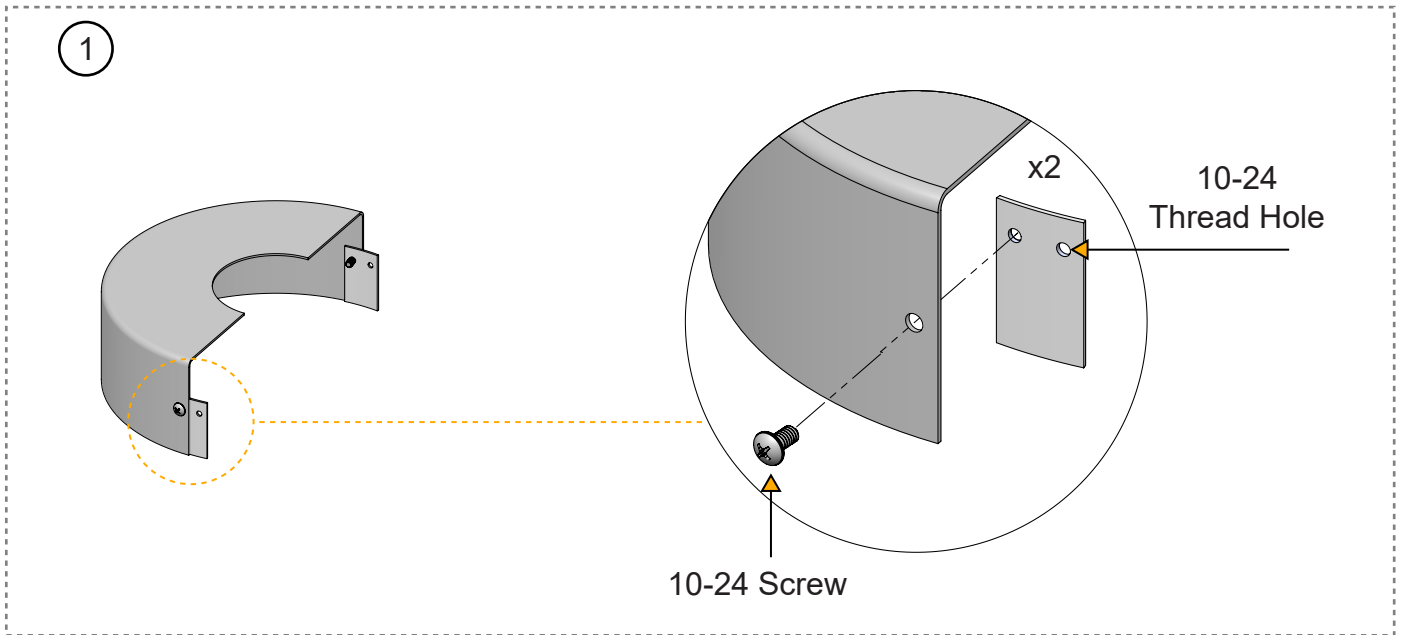
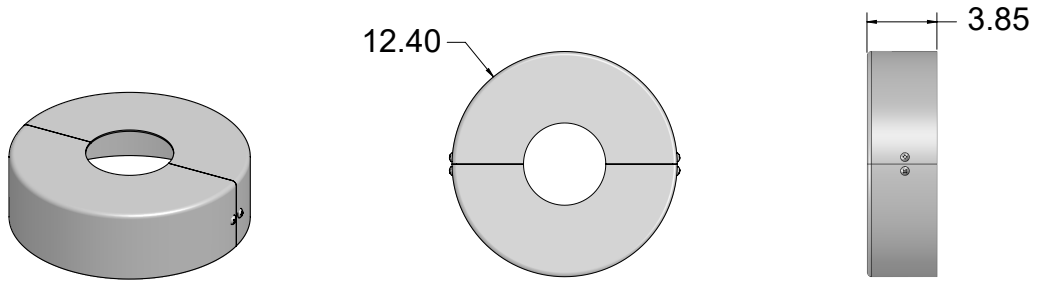


Lock

Cover Accessory Installation

1USP01CVR02FE

1USP02CVR02FE



Electrical Roughin / Wiring Diagram

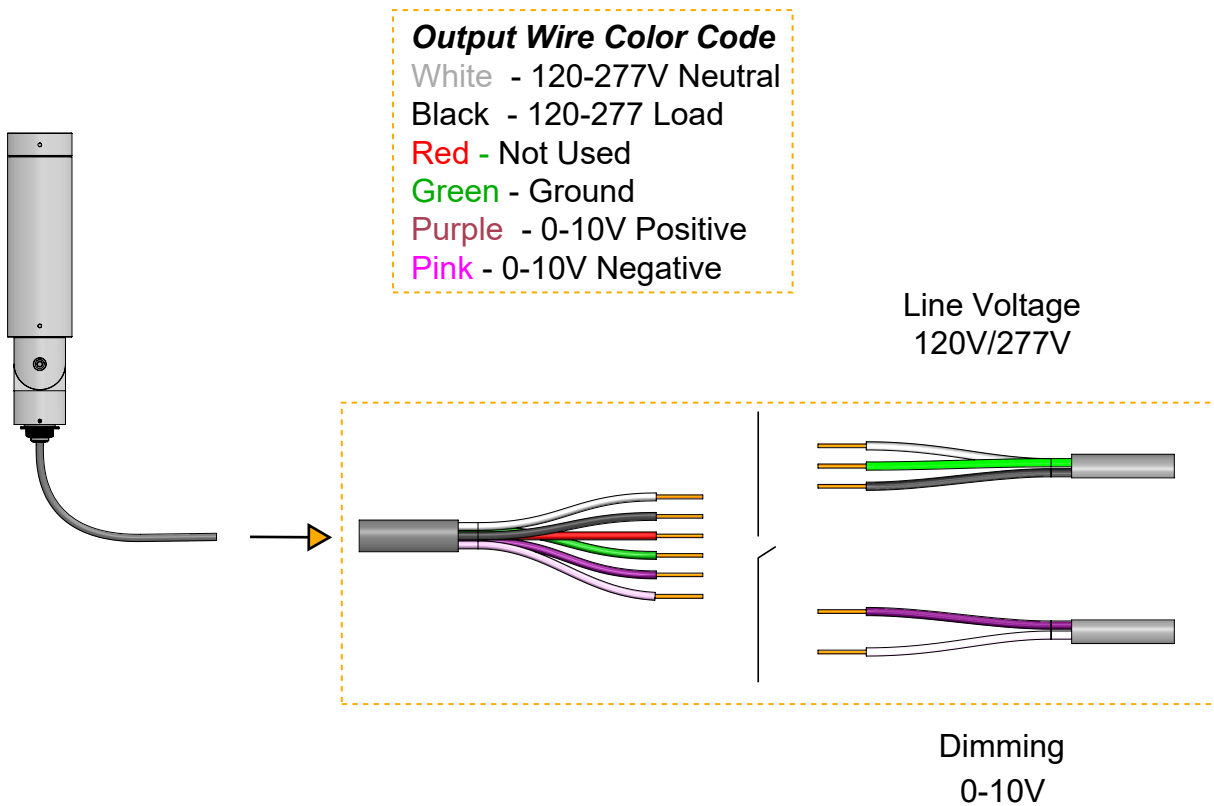
The Bulleto Line fixture are powered by a 120-277VAC line voltage power that is installed to the nearest accessible junction box per local and NEC code. **This installation must be done by a qualified electrician that complies with NEC and local building code. CAUTION: DO NOT CONNECT FIXTURE TO LIVE VOLTAGE! THIS WILL DAMAGE THE FIXTURE AND VOID THE WARRANTY!**

Fixture is powered with a 10 foot 18/6 AWG, 600V outdoor rated cable, for line voltage application with 0-10V dimming. This fixture is equipped to handle 4 different dimming systems. If the line voltage power is 120VAC, fixture can be dimmed with either a ELV or MLV dimmer. If installer wishes to dim with 277VAC, installer can only dim the fixture with the 0-10V dimming option. **Installer cannot use line voltage dimming with 277VAC input.**

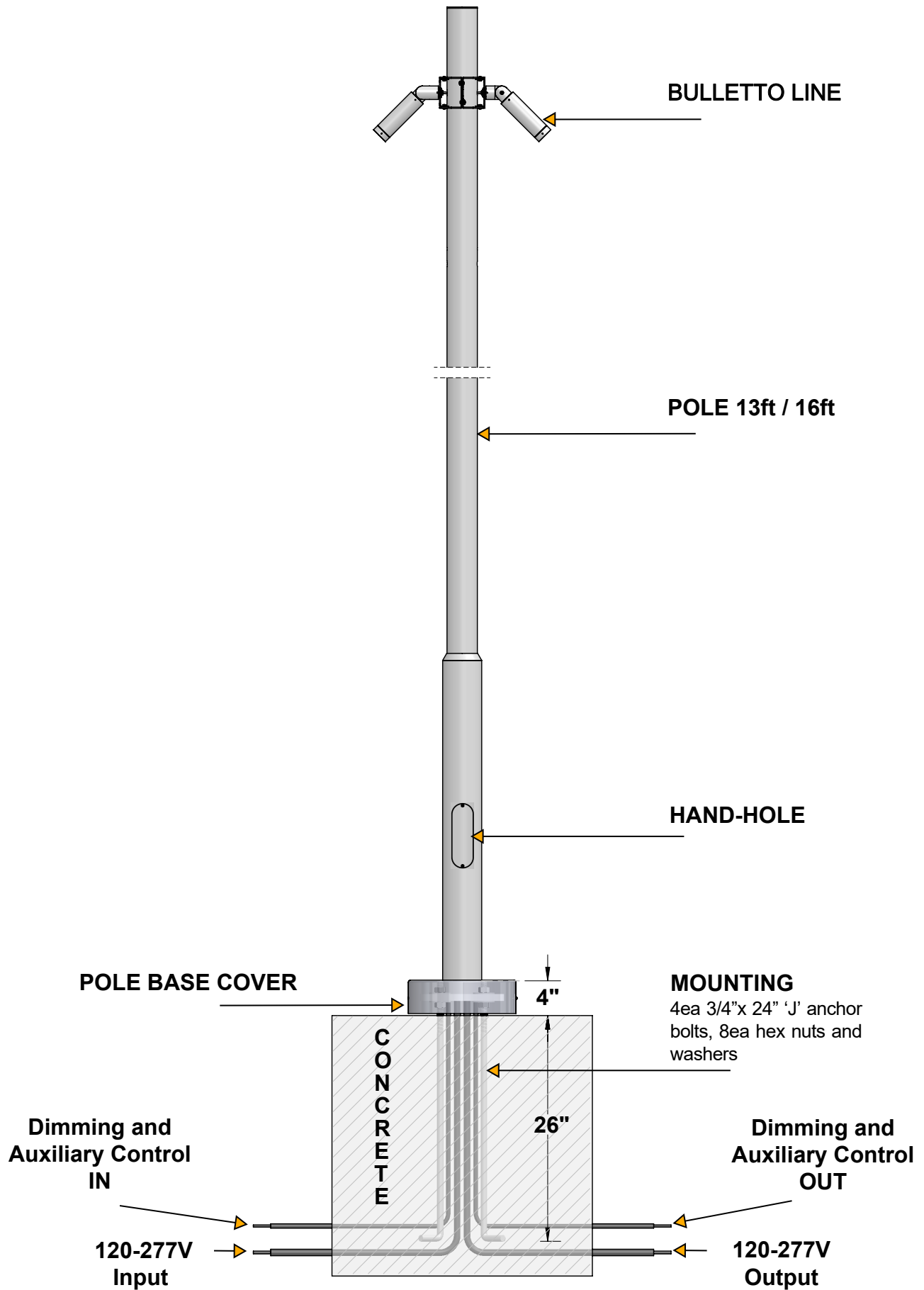
For pole mounting installation, fixture comes with 25 foot 18/6 AWG, 600V outdoor rated cable.

Installer will run the cable from the fixture to the designated junction box and secure the connection with the correct weatherproof connectors. Location of application from the output power feed to the driver. Cable length (A) and gauge (B) will be determined based on installer that complies with NEC, local building code, and voltage drop threshold percentage of <5%.

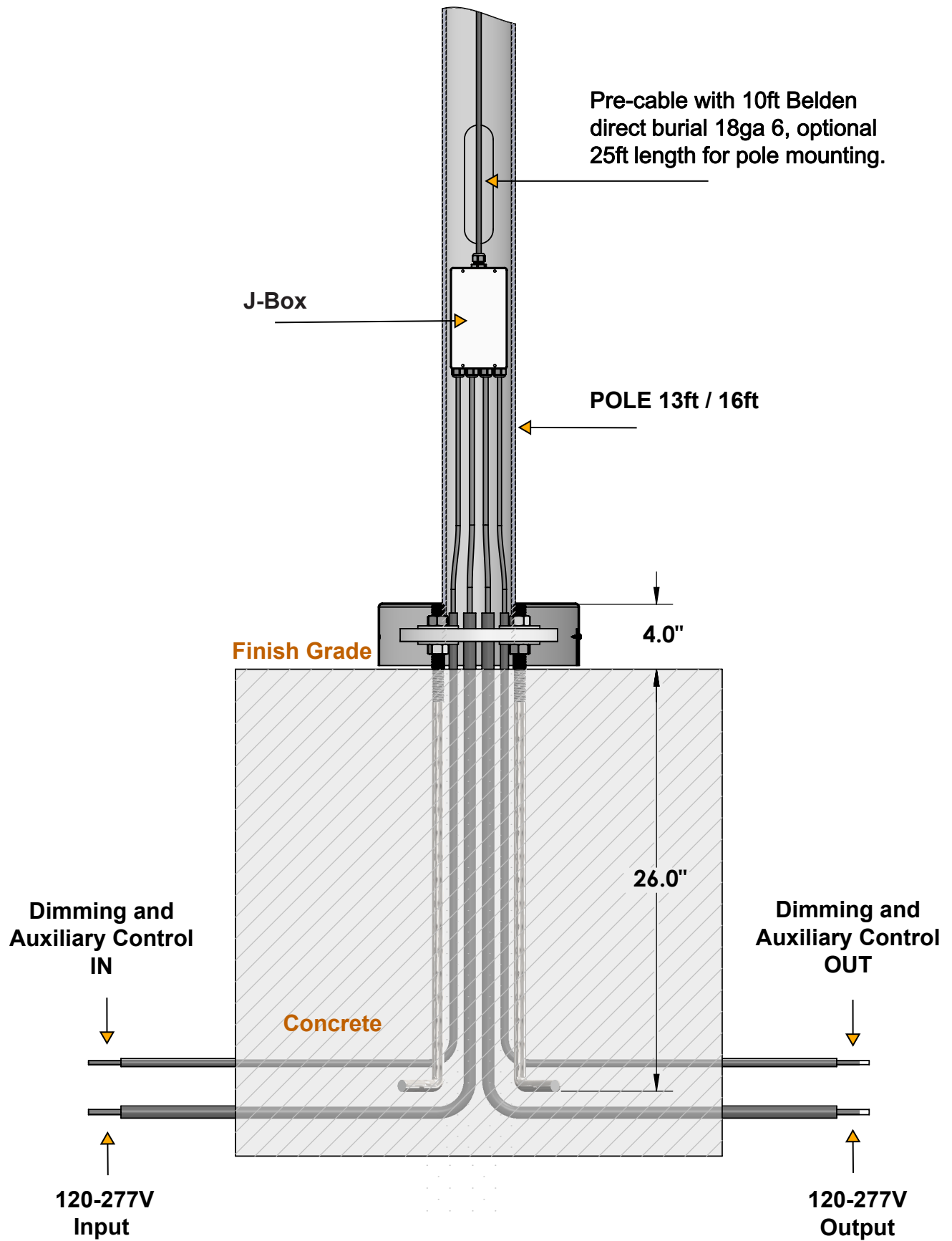
Installer can daisy chain wire the fixture(s) within the junction box. **Caution:** Installer must ensure the amount of fixtures on the circuit does not exceed the calculated rated max circuit amperage on the line. **Overloading the circuit with too many fixtures could damage the fixture(s) and will void the fixture and driver warranty.**



Pole Diagram

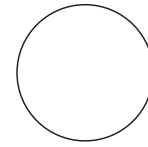


Pole Diagram Detail



Optical Accessories (Optional)

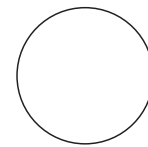
MAXIMUM OF TWO ACCESSORIES PER FIXTURE.



Ø 36mm

Integral 'Blade of Light' linear spread lens PMMA holographic filter.

Part No. **1E3790**

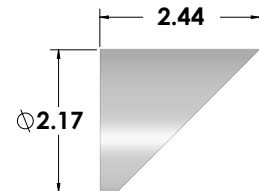
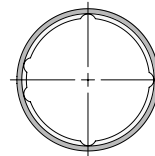
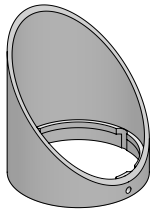


Ø 36mm

Integral honeycomb anti-glare louver.

Finish ● **Deep Black**

Part No. **1E3792**



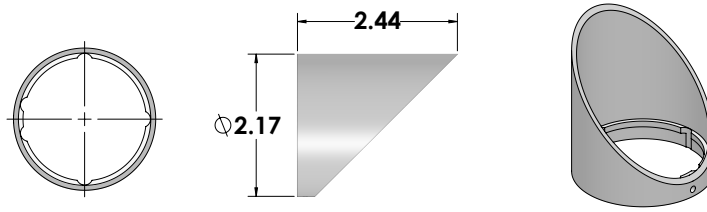
External asymmetric snoot. Powder coated stainless steel. Cutoff 20°.

Part No. **1E3788 (*)**

● Ferrite Dark Grey (Default)

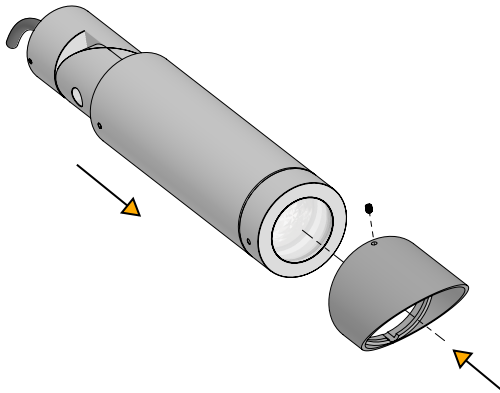
Optical Accessories Installation

External Asymmetric Snoot 1E3788

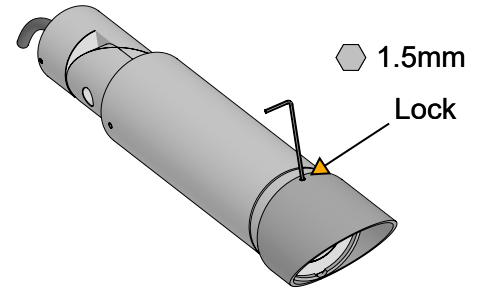


With External Asymmetric Snoot

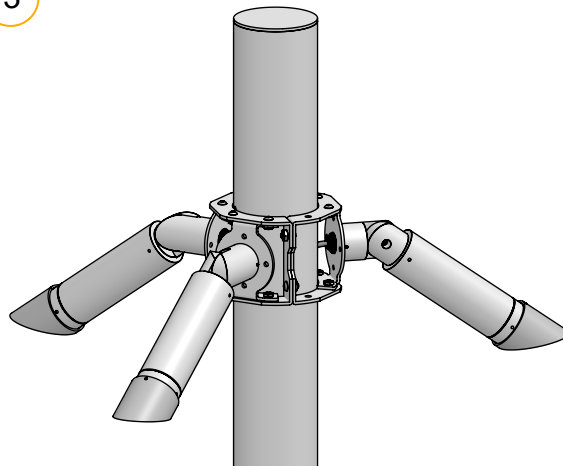
1



2



3



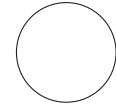
Optical Accessories (Optional)

MAXIMUM OF TWO ACCESSORIES PER FIXTURE.

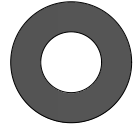


Water jet cut stainless steel **round pinhole LUMISHAPE light shield. Performs best with SP optic.**

Part No. **LS03601**

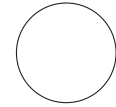


Ø 36mm

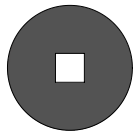


Water jet cut stainless steel **round circular LUMISHAPE light shield. Performs best with SP or FL optic.**

Part No. **LS03602**

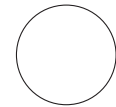


Ø 36mm

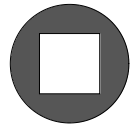


Water jet cut stainless steel **square pinhole LUMISHAPE light shield. Performs best with SP optic.**

Part No. **LS03603**

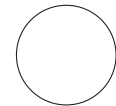


Ø 36mm

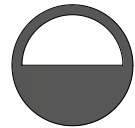


Water jet cut stainless steel **regular square LUMISHAPE light shield. Performs best with SP or FL optic.**

Part No. **LS03604**

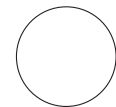


Ø 57mm

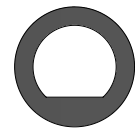


Water jet cut stainless steel **half LUMISHAPE light shield. Stackable up to 4pcs per fixture; 4pcs accounts to 1 accessory toward maximum accessory count. Performs best with FL or MWFL optic.**

Part No. **LS03605**

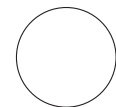


Ø 36mm



Water jet cut stainless steel **quarter LUMISHAPE light shield. Stackable up to 4pcs per fixture; 4pcs accounts to 1 accessory toward maximum accessory count. Performs best with FL or MWFL optic.**

Part No. **LS03606**

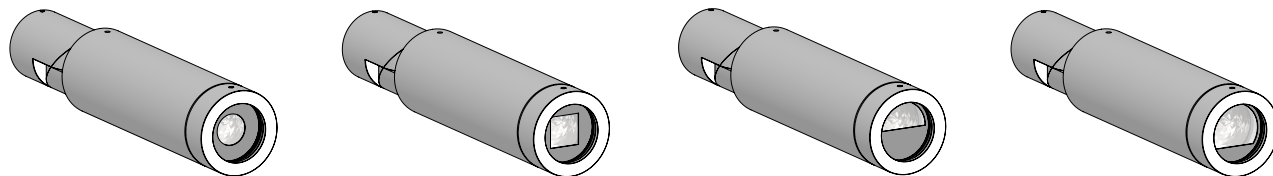
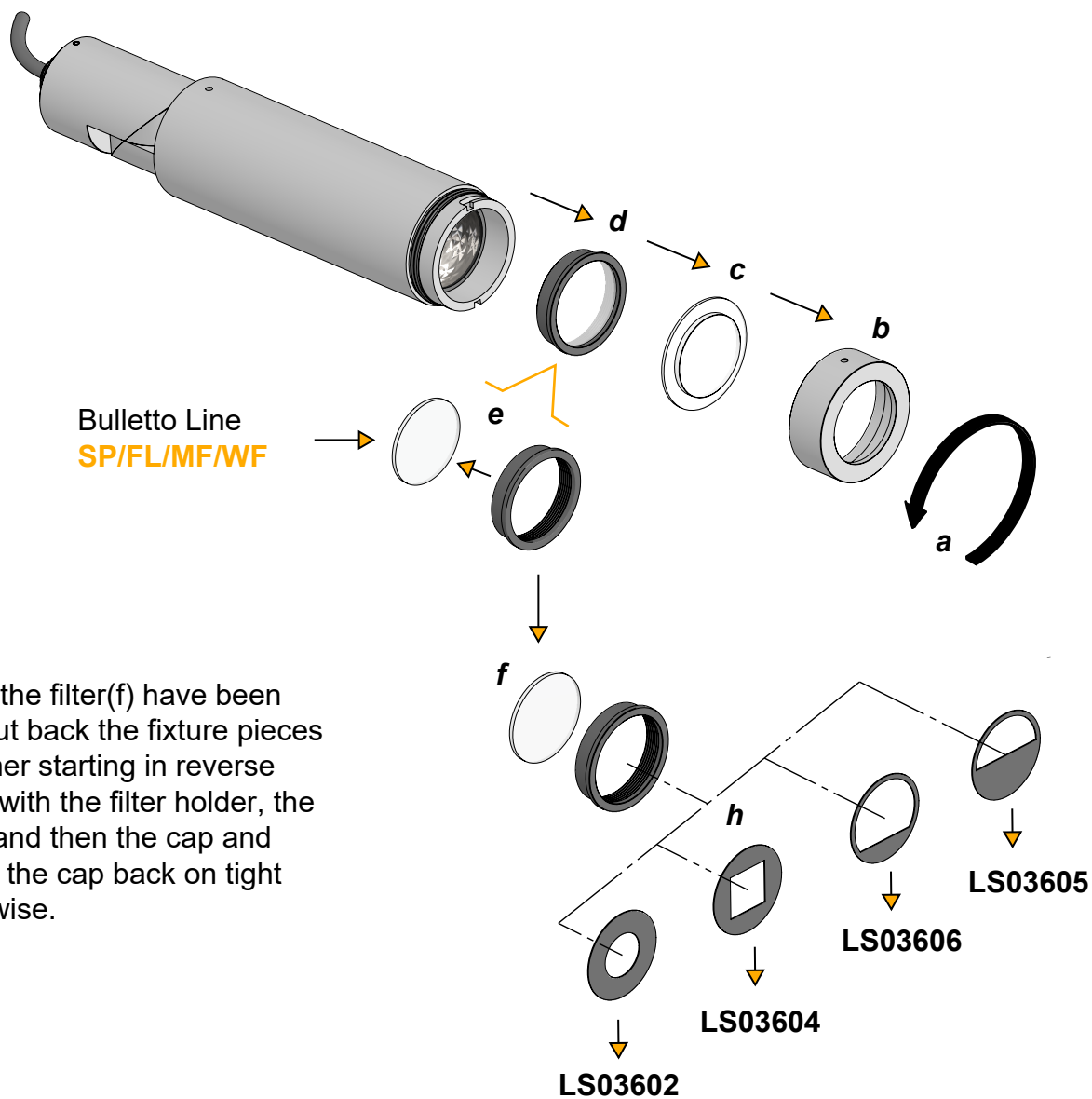


Ø 36mm

Finish ● Ferrite Dark Grey (Default)

Lumishape Accessories Installation

Unscrew the head cap to access the internal optical components inside (a). Remove the cap (b) and the lens (c) to access the optical reflector and filter holder (d). Remove the optical reflector from the filter holder (e) to switch the optic type. Then choose the desired **lumishape (h)** you wish to add in the filter holder. For lumishape, pick the desired position you want to add the blade of light and attach the filter in the same order as any other filter. See chart below for different types of lumishapes available.



Maintenance

This fixture was designed and manufactured for a durable, long lasting use with minimum care. To ensure the maximum lifespan of this product, we encourage our customers to provide a quality visual inspection of the fixture and installation accessories every six months. If there are any visible signs of issues (i.e moisture or dust) during the inspection, please clean any of the dust or moisture with a soft cloth and check to make sure that all fixtures are still operating normally. If there are any issues regarding the fixture please contact us as we will assist the situation at hand.

Support

Any questions, problems, or comments you have please feel free to contact our Customer Service department during our business hours Monday-Friday 8am-5pm via: Email: usaorders@targetti.com

Phone:
(714) 513-1991

Visit our website: <http://www.targettiusa.com>