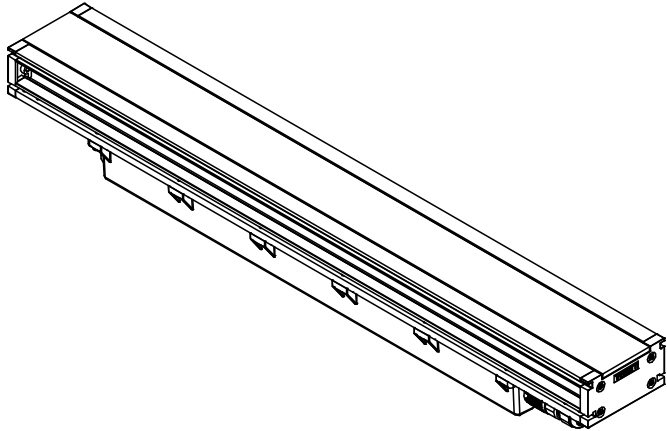




JEDI PROJECTOR RGBW

JEPDX-(WW), (WG), (FL), (SP)

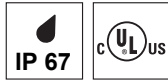
JEDI PROJECTOR RGBW - (WALL WASH),
(WALL GRAZER), (FLOOD), (SPOT)



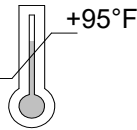
120-277 VAC



IK08

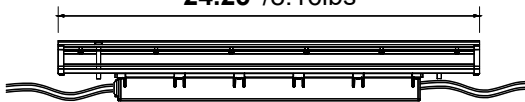


-13°F

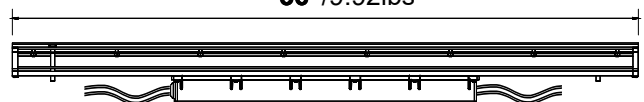


If in doubt about the symbols, please refer to catalog or website.

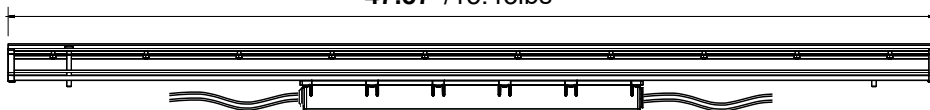
24.25"/8.16lbs



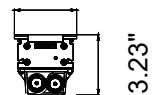
36"/9.92lbs



47.87"/15.43lbs



3.19"



WARNING

To ensure a maximum efficient use of the product, read the instructions before proceeding with installation.



This fixture must be installed by a licensed and qualified electrician. The installer must comply with NEC and local building codes when installing the fixture.



Electrical current can cause painful shock, serious injury, or even death. Make sure you turn off the power supply, ground fixture(s), and make sure all electrical connections are correct and secured.



For use in IP67 installations.



Keep the label of the original packaging if any eventual future claims are needed.

Table of Contents

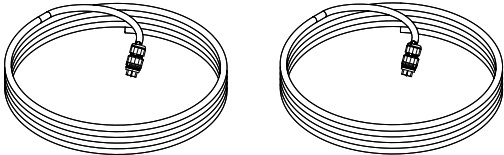
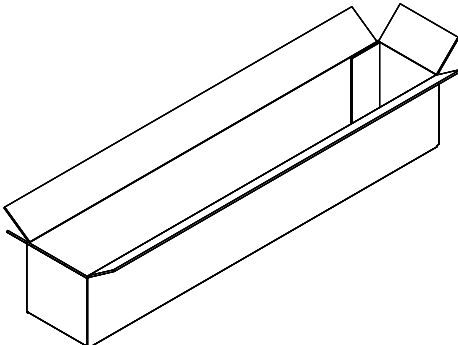
Packaging Contents	Pg.2
JEDI Recessed RGBW Cabling Types	Pg.3
Required Mounting Sold Separately	Pg.4
Optional Lead & Jumper Cable Sets	Pg.5
Mounting Installation	Pg.6-11
Fixture Installation	Pg.12
Electrical Roughin	Pg.13
Optional Side Cove	Pg.14-18
DMX Control	Pg.19
Service Options	Pg.20
Maintenance / Support	Pg.21

Packaging Contents

24" Fixture in 26"x6"x5" Box @8.16 lbs

36" Fixture in 38"x6"x5" Box @9.92lbs

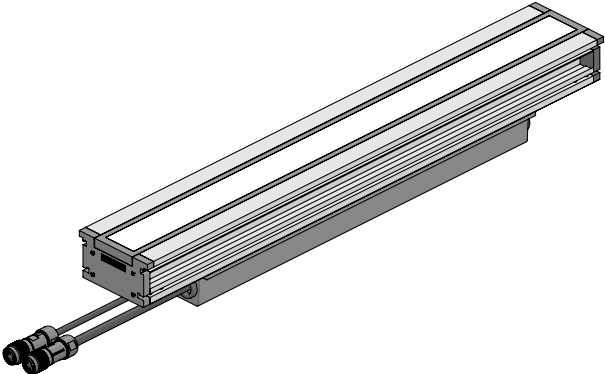
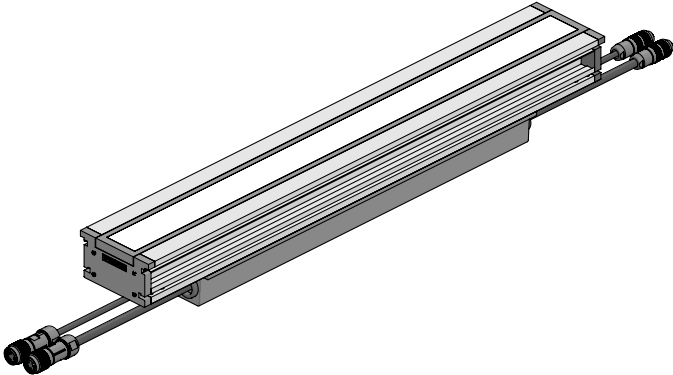
48" Fixture in 50"x6"x5" Box @15.43lbs



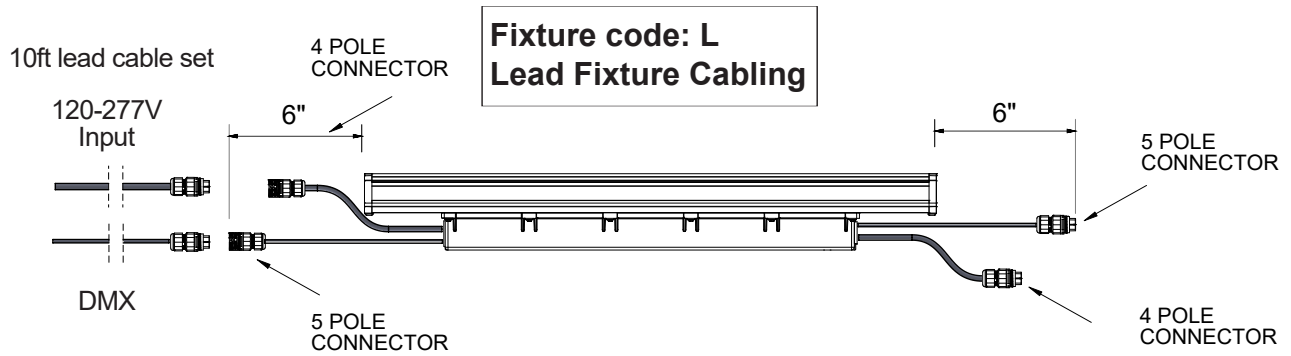
LEAD AND SOLO FIXTURE INCLUDE
1ea. SET OF 10ft POWER AND 10ft
DMX LEAD CABLE

LEAD / CENTER FIXTURE
WITH INPUT / OUTPUT
POWER & DMX CABLES

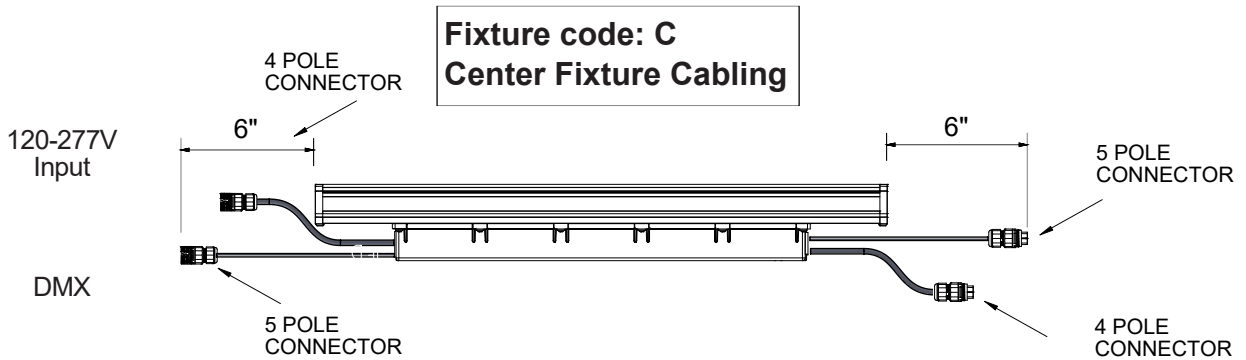
SOLO / END FIXTURE
WITH INPUT ONLY
POWER & DMX CABLE



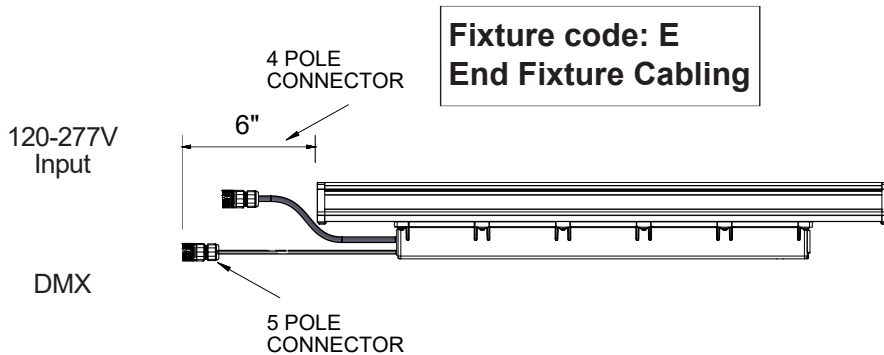
JEDI PROJECTOR RGBW Cabling Types



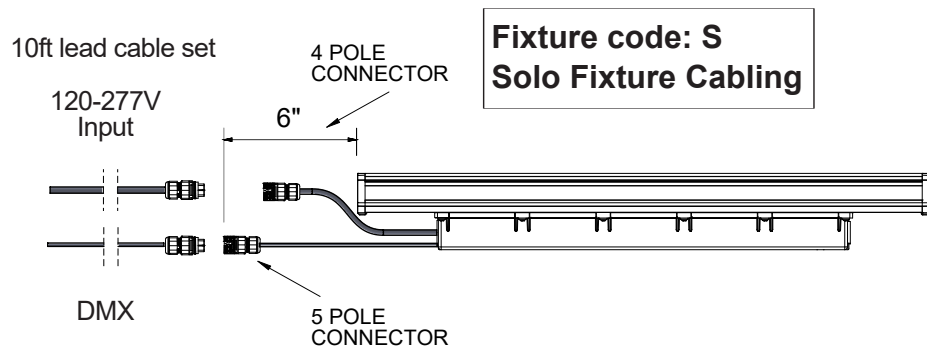
Lead - prewired input/output 18-3 line voltage and 18-2 data lead cables with IP68 quick disconnects. Also includes 1 ea. set power and DMX lead cables with IP68 connector at end.



Center- prewired input/output for inline connections with 18-3 line voltage and 18-2 data lead cables with IP68 quick disconnects included.

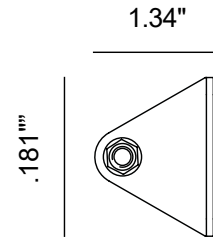


End - prewired input for end of line connections with 18-3 line voltage and 18-2 data lead cables with IP68 quick disconnects.



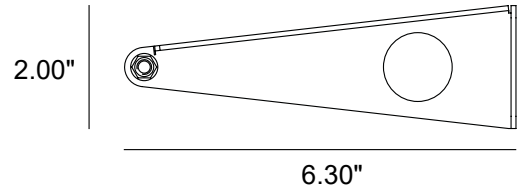
Solo - prewired input 18-3 line voltage and 18-2 data lead cables with IP68 quick disconnects. Also includes 1 ea. set power and DMX lead cables with IP68 connector at end.

Required Mounting Sold Separately



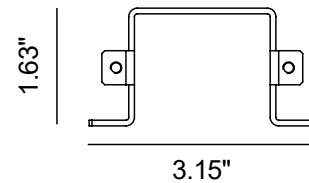
JEDI short stainless steel surface mounting bracket, set of two.

Part No. **1E2752**



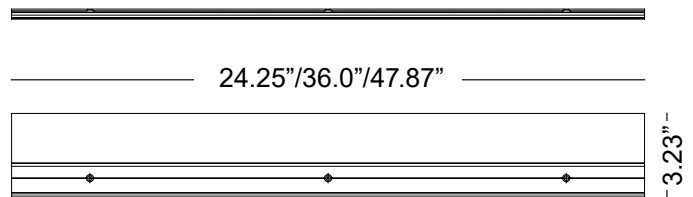
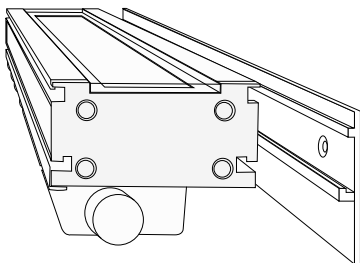
JEDI long stainless steel surface mounting bracket, 2ea.

Part No. **1E2753**



JEDI surface mounting bracket, 2ea.

Part No. **1E2754**



JEDI flush mount bracket with countersink screw holes for attachment.

Length	24.25"	36.00"	47.87"
Part No.	1DU2755	1DU2756	1DU2757

Optional Lead and Jumper Cable Sets

ADDITIONAL LEAD CONNECTION CABLE (OPTIONAL))



JEDI RGBW additional lead kit includes 1ea 18-3 line voltage and 1ea Belden 3105A out door DMX cable with IP68 quick disconnects.

<i>Length</i>	10ft	25ft	50ft
---------------	------	------	------

Part No. **JERDXLEAD-10** **JERDXLEAD-25** **JERDXLEAD-50**

ADDITIONAL JUMPER CONNECTION CABLE (OPTIONAL)



JEDI RGBW jumper kit includes 1ea 18-3 line voltage and 1ea Belden 3105A out door DMX cable with IP68 quick disconnects.

<i>Length</i>	4ft	10ft	25ft
---------------	-----	------	------

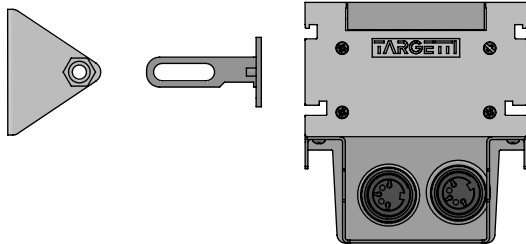
Part No. **JERDXJUMP-04** **JERDXJUMP-10** **JERDXJUMP-25**

Mounting Installation Cont.

WITH STAINLESS STEEL SURFACE MOUNTING BRACKET - 1E2752 AND 1E2753

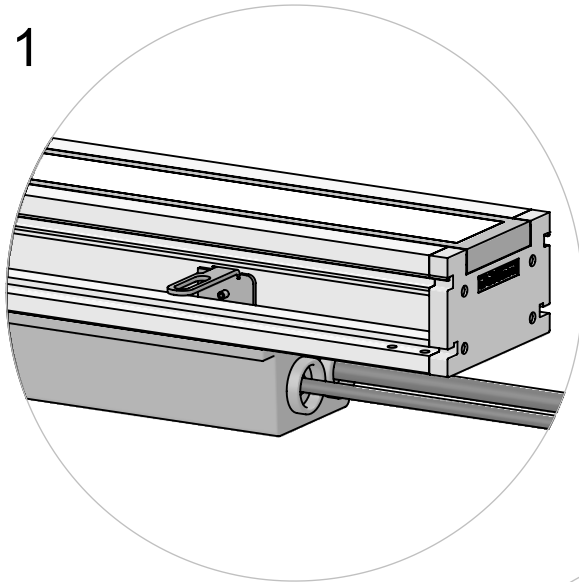
- Remove the bolt that connects the mounting bracket to the pivot bracket and separate the two pieces to begin the mounting process
 - Be sure to check the pivot bracket to make sure that the groove to lock into the fixture is at the bottom to ensure the correct orientation of installation. **Failure of no pre-visual inspection may lead to damage of the pivot bracket when installing**

1E2752

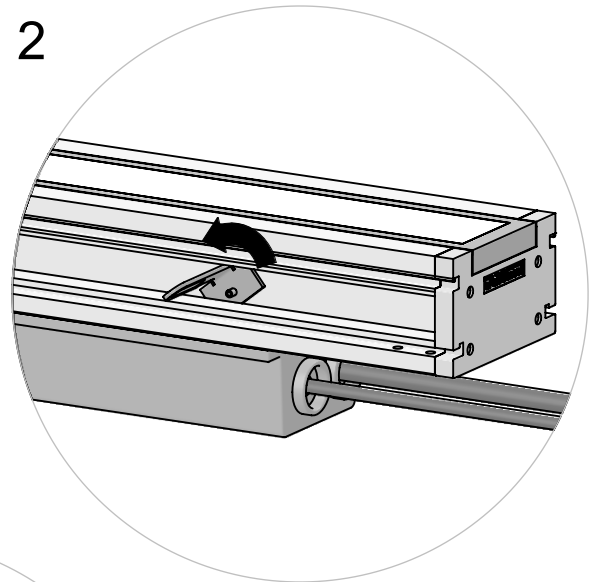


- With the pivot bracket piece, insert it into the side of the fixture and turn the piece counter clockwise until the clip locks tight into position (sketches 1 & 2).
- The pivot gap where the mounting bracket attaches will be vertical to allow the bolt to secure the pivot bracket to the wall mount bracket with supplied hardware.

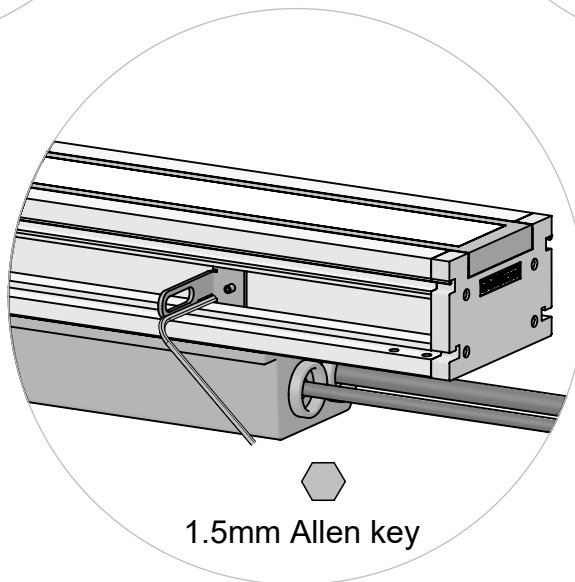
1



2



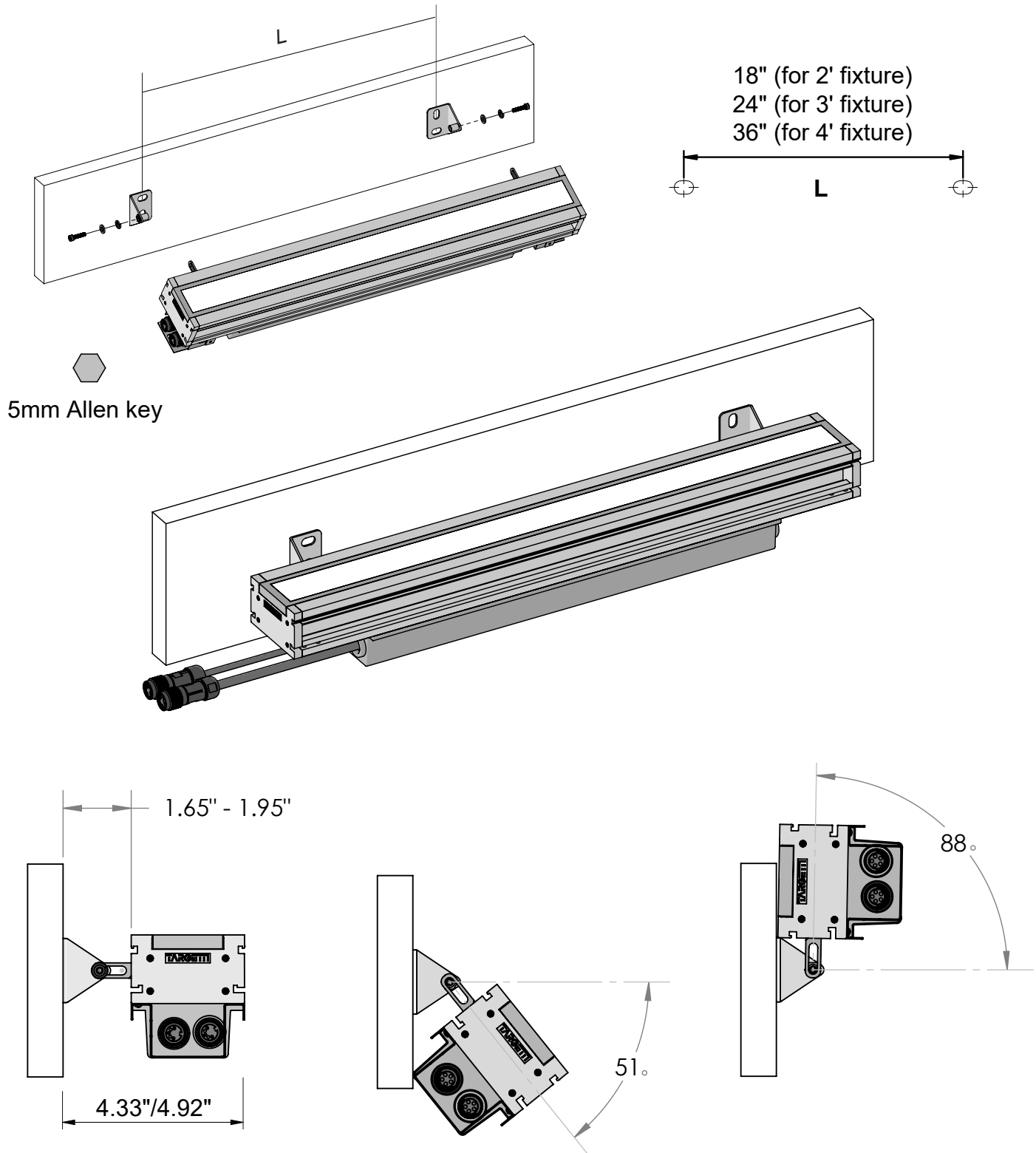
3



Mounting Installation Cont.

WITH SHORT STAINLESS STEEL SURFACE MOUNTING BRACKET - 1E2752

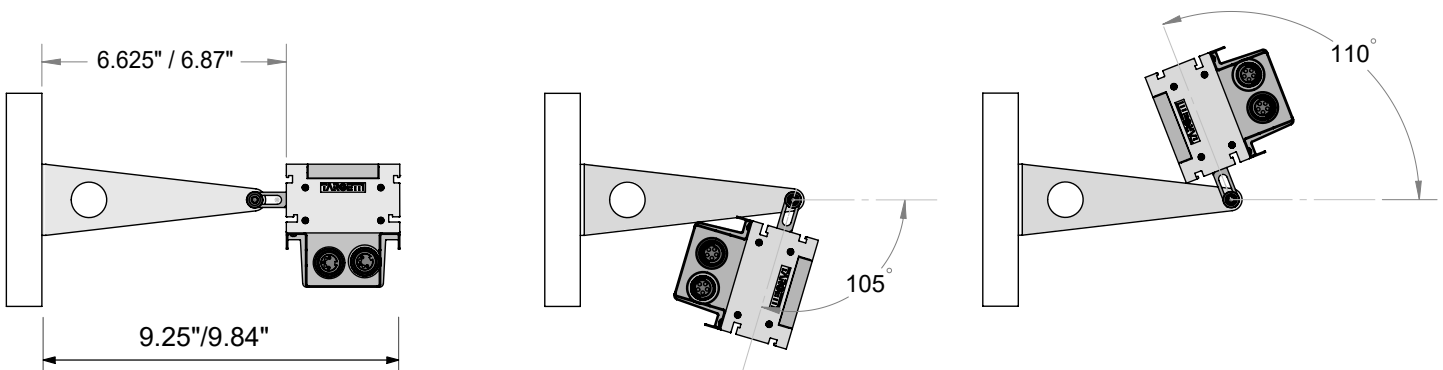
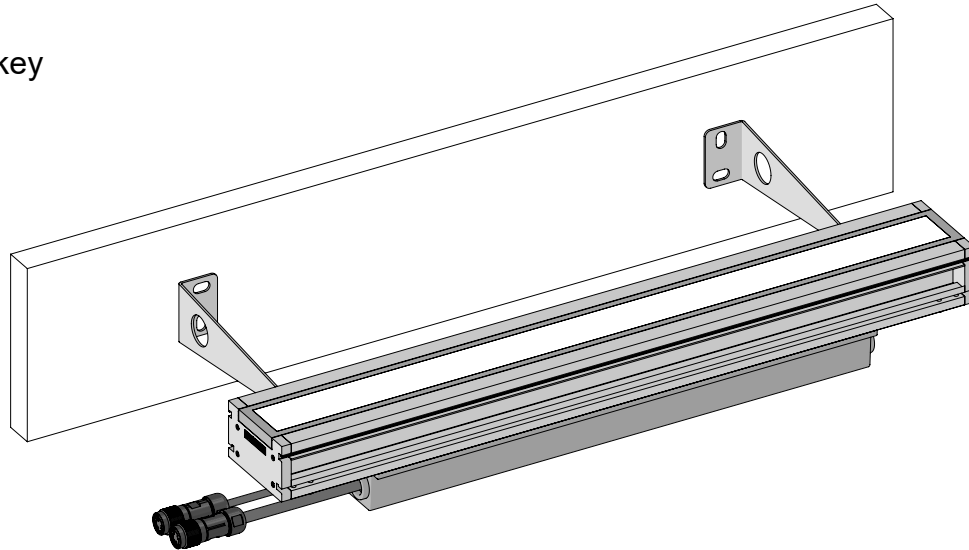
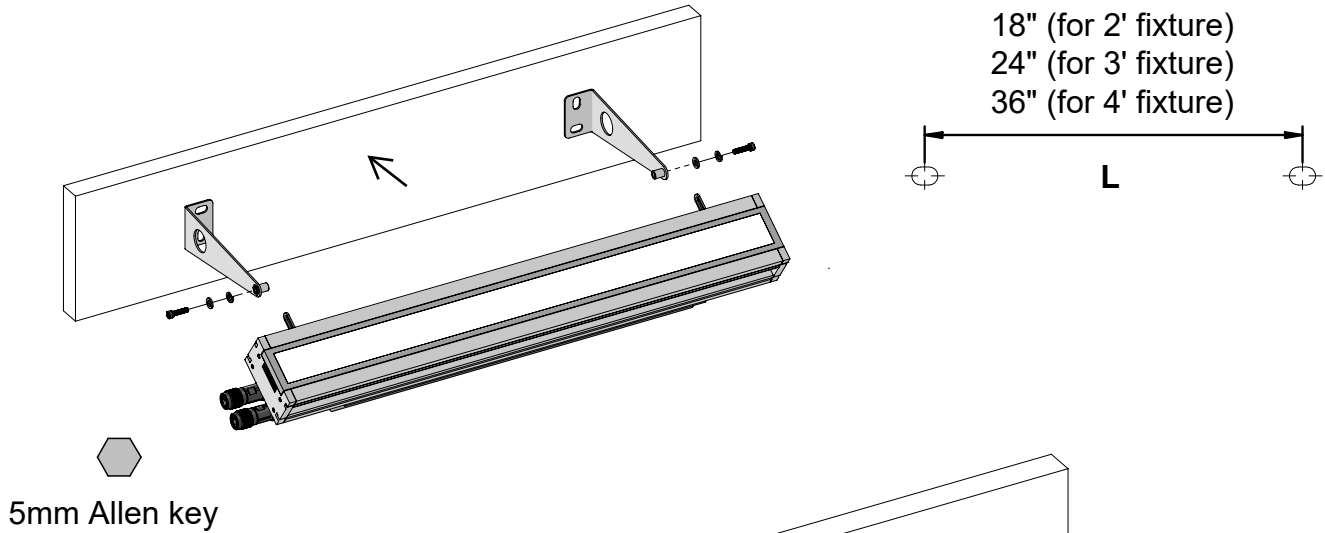
- Attach the mounting brackets on the wall with appropriate fasteners to secure the bracket onto the mounting surface (use correct screw size or anchor based on surface material).
- Lock the mounting bracket with the fixture bracket clip together with the bolt and washers provided to tightened and secure fixture into place.
- If attaching multiple fixtures in line, adjust bolt and mounting bracket accordingly for linear installation before securing bolt into place.



Mounting Installation Cont.

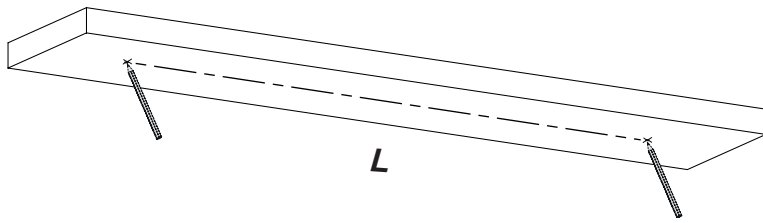
WITH LONG STAINLESS STEEL SURFACE MOUNTING BRACKET - 1E2753

- Attach the mounting brackets on the wall with appropriate fasteners to secure the bracket onto the mounting surface (use correct screw size or anchor based on surface material).
- Lock the mounting bracket with the fixture bracket clip together with the bolt and washers provided to tightened and secure fixture into place.
- If attaching multiple fixtures in line, adjust bolt and mounting bracket accordingly for linear installation before securing bolt into place.



Mounting Installation

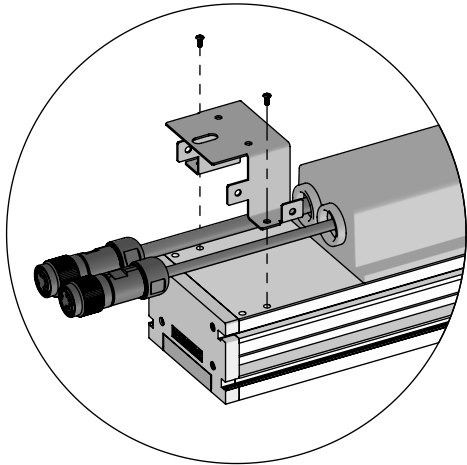
WITH SURFACE MOUNTING BRACKET - 1E2754



22" (for 2' fixture)
33.9" (for 3' fixture)
45.7" (for 4' fixture)



3mm Allen key

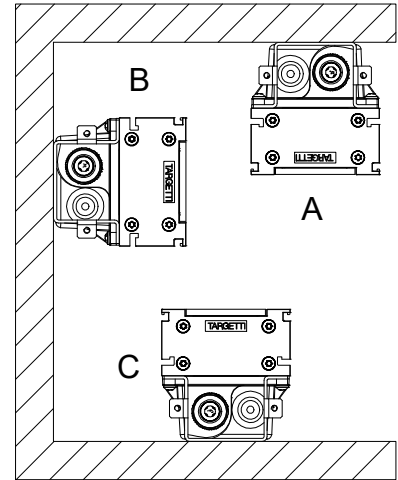


Mounting Positions:

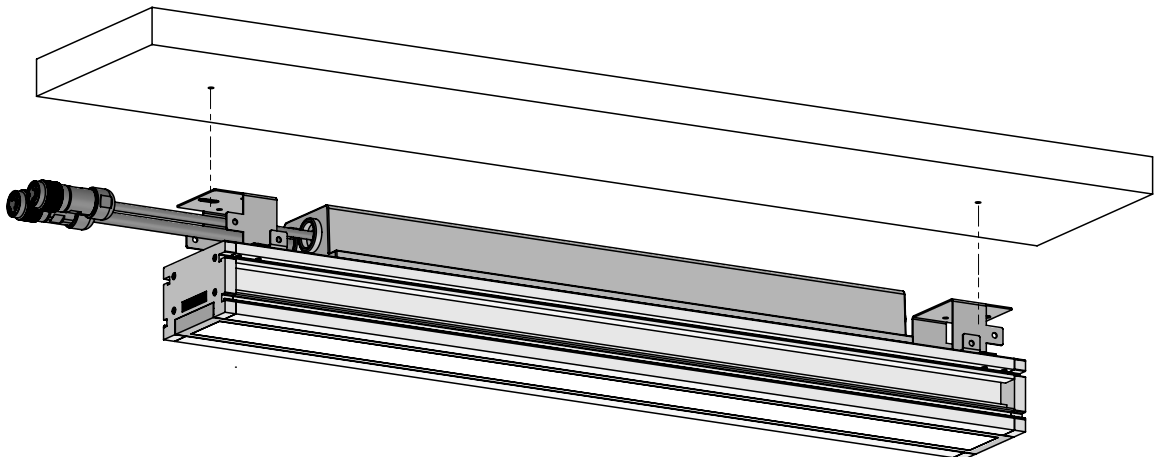
A: Ceiling Mount

B: Wall Mount

C: Floor Mount

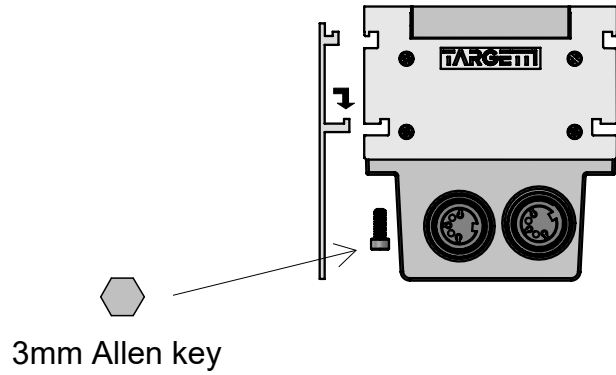


- 2 brackets will be installed on the mounting surface with a gap between the two brackets based on the size of the fixture.
- Use the appropriate fasteners or anchors to mount brackets onto mounting surface
- Provided with two hex screws for each bracket, use 3mm Allen key to tightened and secure the brackets to the both ends of each fixture.

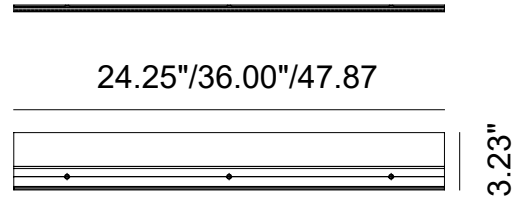


Mounting Installation Cont.

Flush Mount Wall Bracket

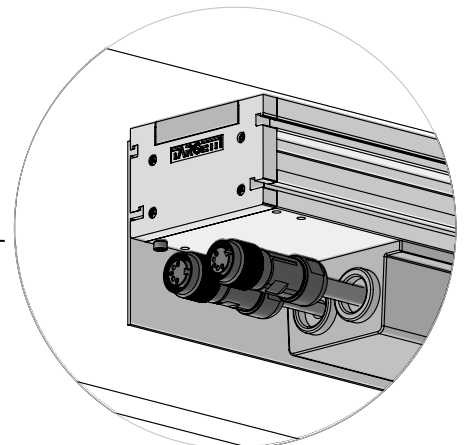
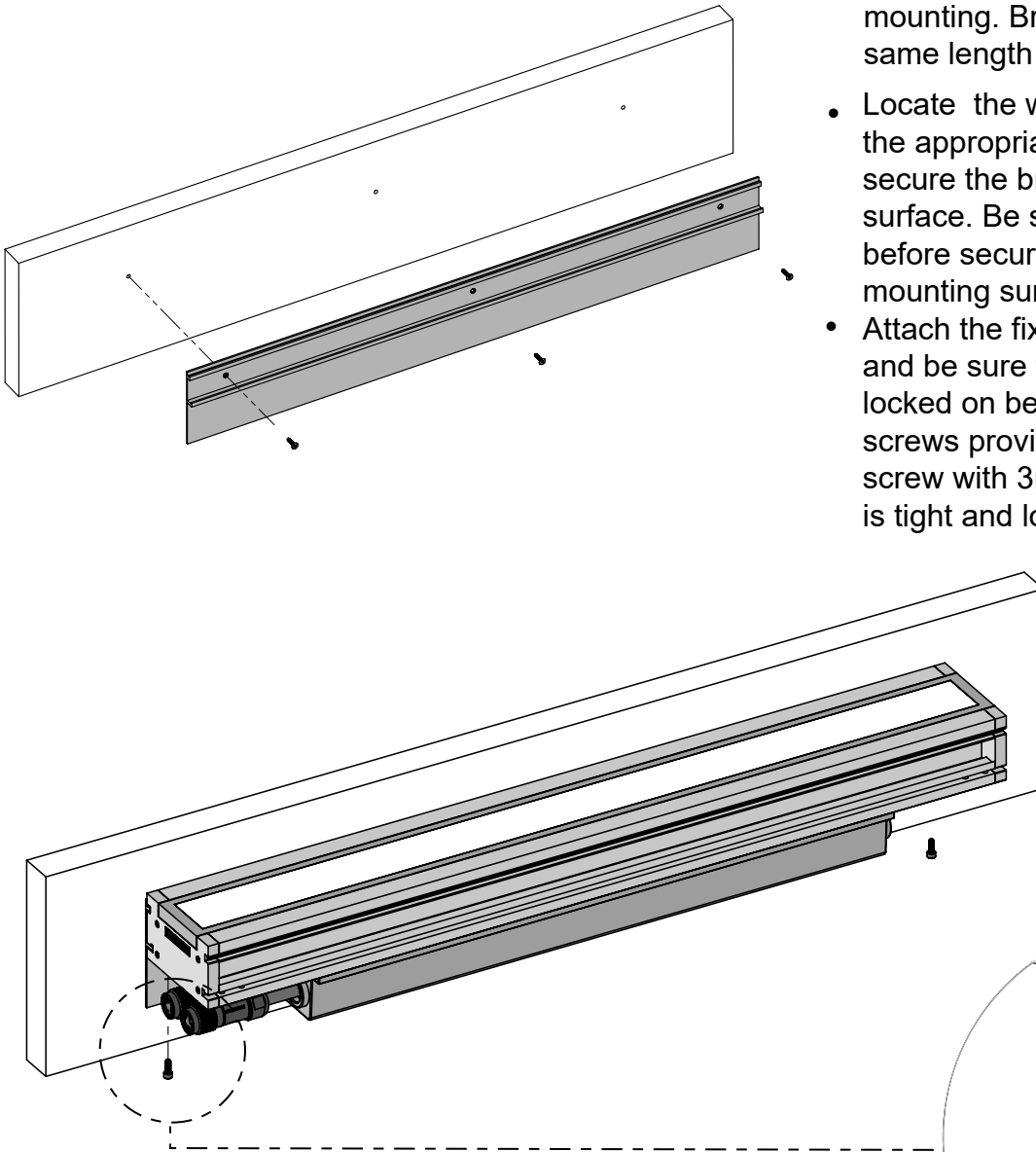


1DU2755
1DU2756
1DU2757



For Solo or separated fixture mounting. Bracket and fixture are at same length

- Locate the wall flush bracket and use the appropriate fasteners or anchors to secure the bracket onto the mounting surface. Be sure to level the bracket before securing the bracket on the mounting surface
- Attach the fixture onto the wall bracket and be sure that the fixture is properly locked on before securing with two hex screws provided. Fasten the hex screw with 3mm Allen key until fixture is tight and locked on



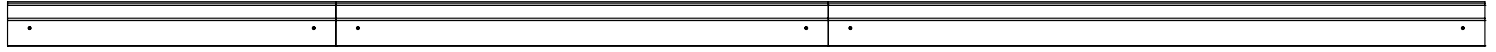
Mounting Installation Cont.

For inner connected fixtures mounting, set seams of flush mount bracket to stagger seams of fixtures.

1DU2755 - 24"

1DU2756 - 36"

1DU2757 - 48"



48"

36"

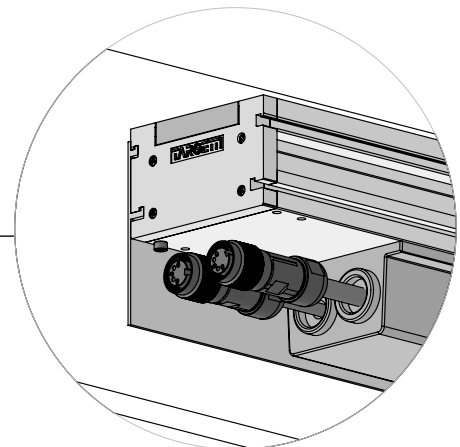
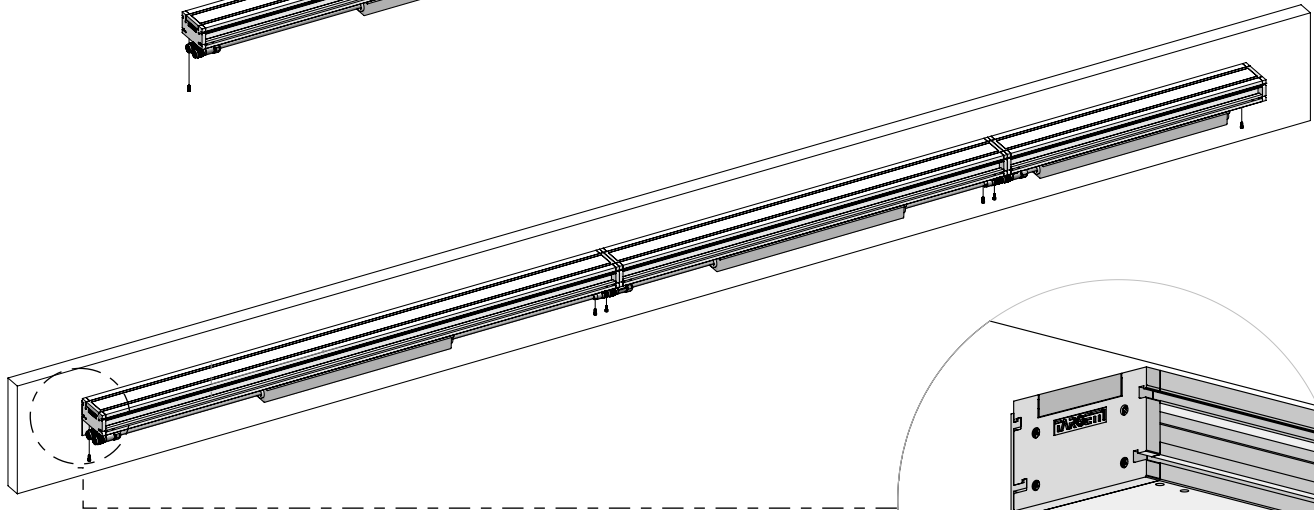
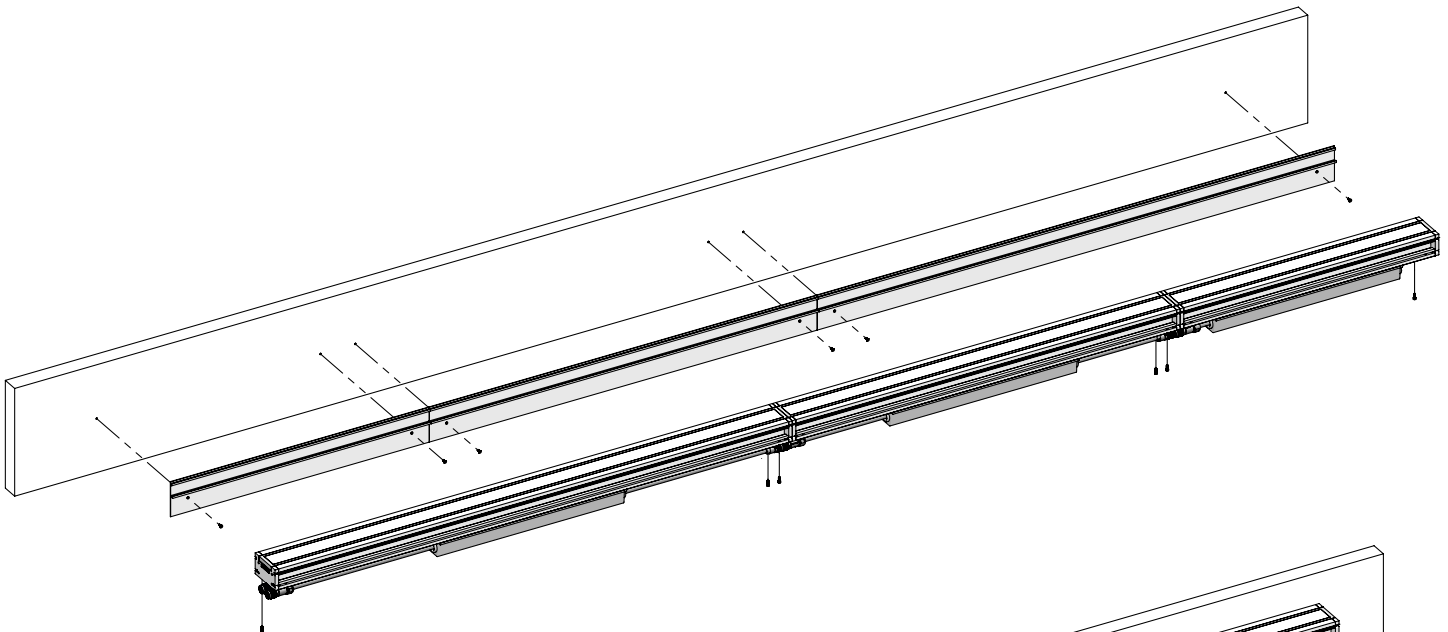
24"



LEAD FIXTURE

CENTER FIXTURE

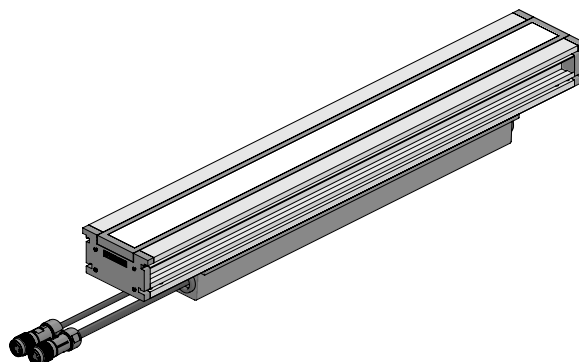
END FIXTURE



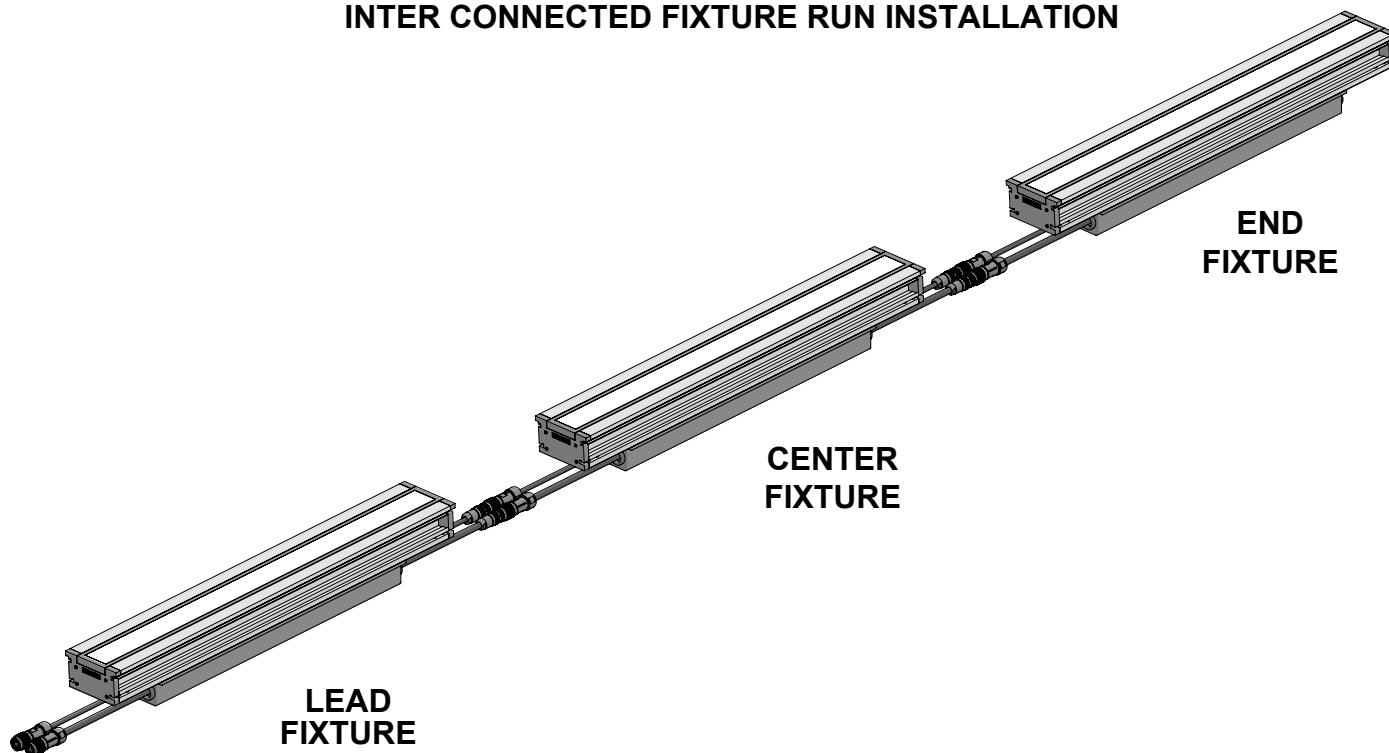
Fixture Installation

- Fixture is connected from J-Box line voltage to its connector and secured by tightening the lock ring counter clockwise to ensure a sealed connection.
- For multiple fixtures: be sure to arrange the fixtures in the correct order before connecting. Jumper cables (ordered separately) are used to connect multiple fixtures between each other in a linear connection.
- Jumper cables are labeled with the multiple fixtures ordered to provide the specific position of the fixtures and the jumper cable connectors position. **Maximum power consumption of multiple fixtures on one line is 1500W.**

SOLO FIXTURE 24" / 36" / 48"



INTER CONNECTED FIXTURE RUN INSTALLATION



Electrical Roughin

- For each individual run we recommend that the electrical J-Box is positioned within 10ft. away from lead fixture for use with standard 10ft. leads. Each Lead and Solo fixtures are supplied with a 10ft. lead for 120-277V Input and a 10ft. lead for 0-10V Dimming.
- Lead lengths can be ordered longer at 25ft. or 50ft. if connection to main power requires.
- If the source is 120V, max of 14 each 4-foot fixtures (50 feet of fixture illumination) on a single home run allowed.
- If the source is 277V, max of 35 each 4-foot fixtures (140 feet of fixture illumination) on a single home run allowed.
- Please see chart below for detailed information on max run lengths per circuit.

Voltage Drop Table

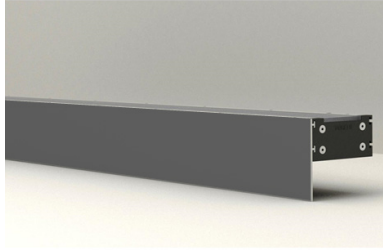
Voltage drop calculations are based on 10% max drop to last fixture in run for load and distances below

Length in Fixtures	Load	Power
Up to 88ft.	1166W	120V
Up to 208ft.	2756W	277V

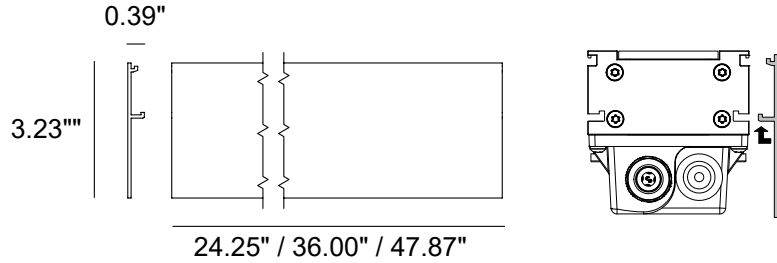
Max lengths include lengths of lead and jumper cables.

Example: 3 each 2ft. fixtures and 3 each 3ft. fixtures = 15ft. of fixture illumination.
Consider the following for every individual run:
28W for every 24" / 40W for every 36" / 53W for every 48"

Flush Finish Side Cover



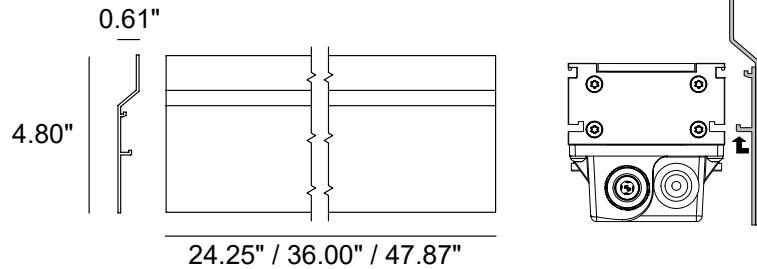
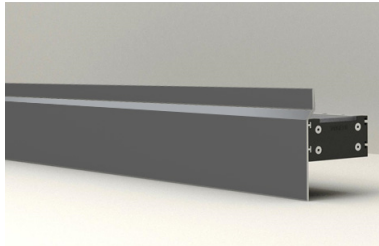
Optional Side Cover



JEDI anodized aluminum side cover mounts flush with to the top of the fixture. Side cover option allows for a fluid finished appearance that can be field painted to match the architectural finish.

<i>Length</i>	24.25"	36.00"	47.87"
<i>Part No.</i>	1E2755	1E2756	1E2757

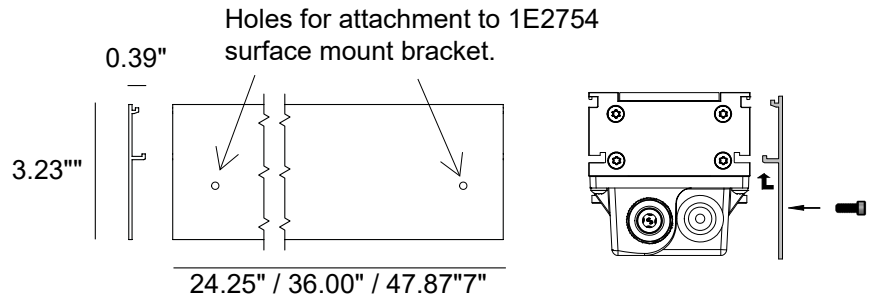
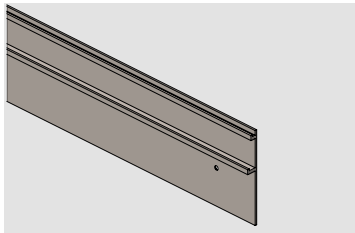
Anti-Glare Shield Side Cover



JEDI anodized aluminum anti-glare side cover mounts with a slight standoff to eliminate glare for direct view applications. Side cover option allows for a fluid finished appearance that can be field painted to match the architectural finish.

<i>Length</i>	24.25"	36.00"	47.87"
<i>Part No.</i>	1E2758	1E2759	1E2760

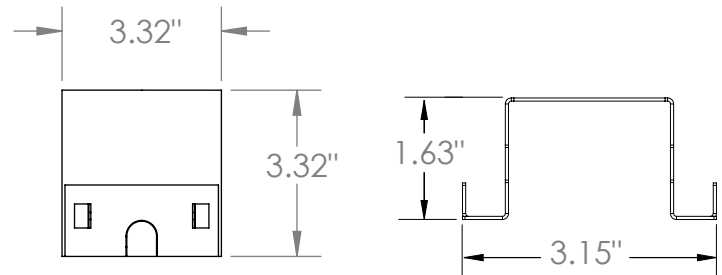
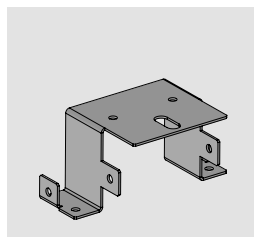
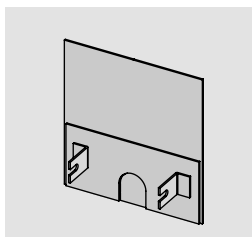
Ceiling Finish Side Cover



JEDI anodized aluminum ceiling finish side cover with to the top of the fixture and attaches with surface screws.

<i>Length</i>	24.25"	36.00"	47.87"
<i>Part No.</i>	1E3045	1E3046	1E3047

End Cap

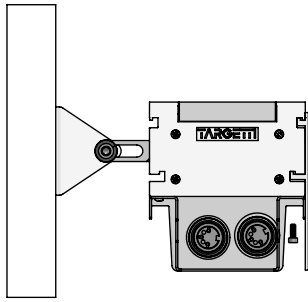


JEDI end cap, 1ea. Kit include 1ea 1E2754 Bracket to mount at end of fixture. Used to create finished end for side cover mounting applications.

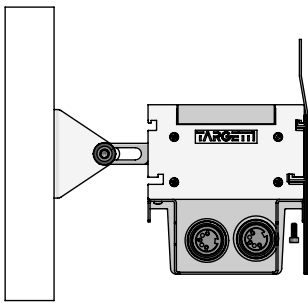
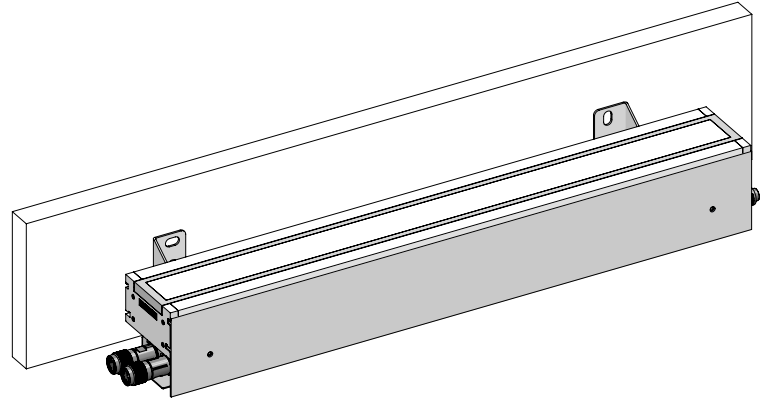
<i>Part No.</i>	1E2761
-----------------	---------------

Side Cover Options - Wall

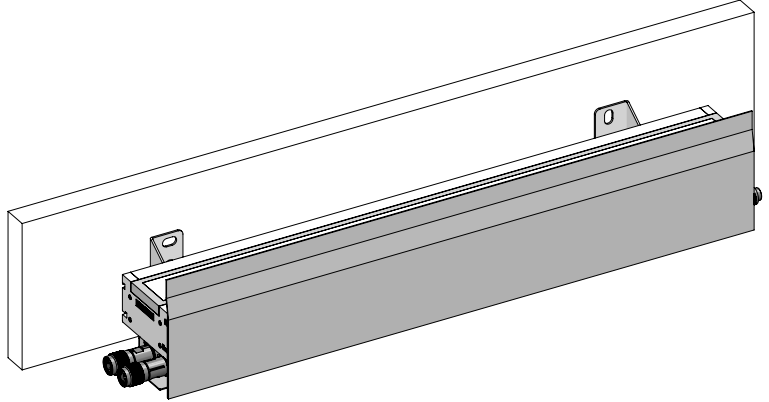
WITH SHORT BRACKET



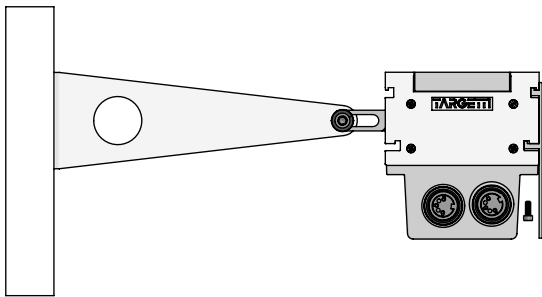
1E2755
1E2752 + 1E2756
1E2757



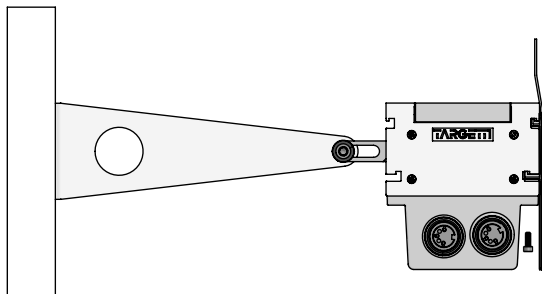
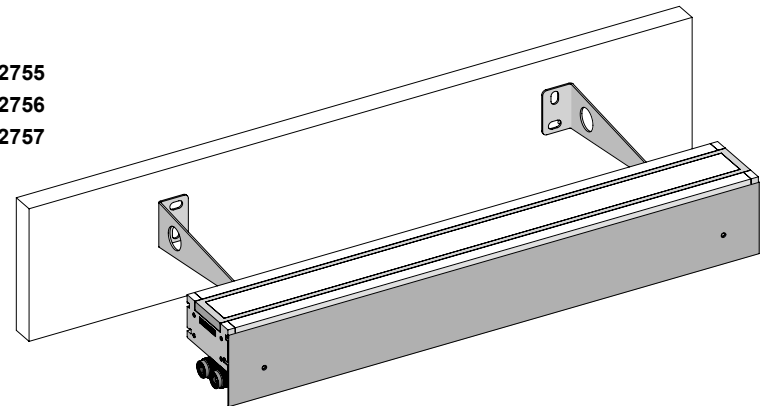
1E2758
1E2752 + 1E2759
1E2760



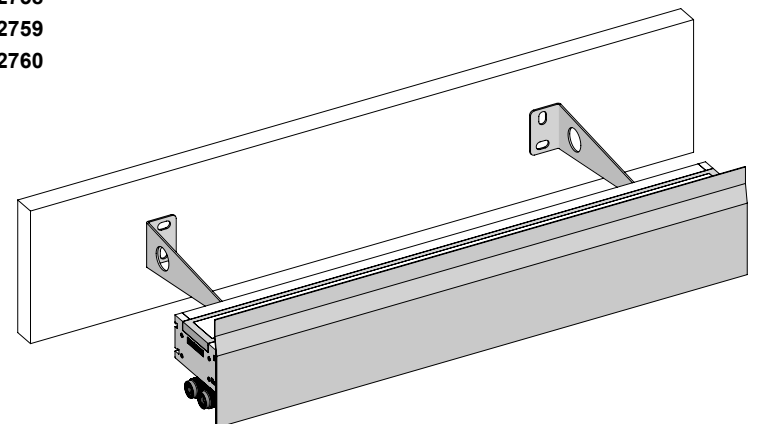
WITH LONG BRACKET



1E2755
1E2753 + 1E2756
1E2757

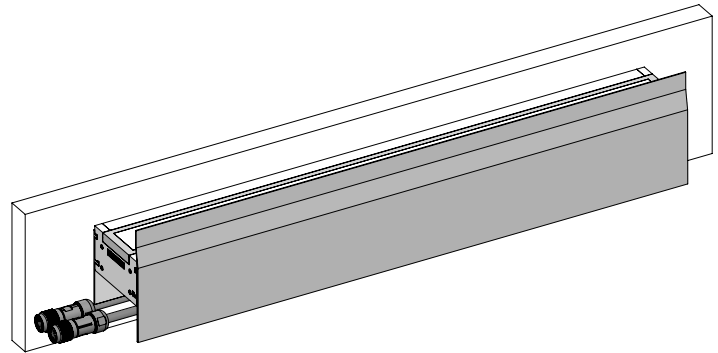
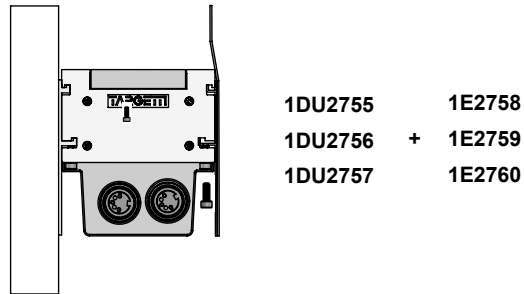
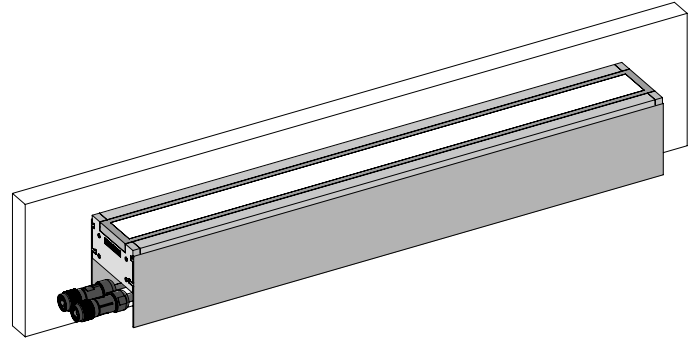
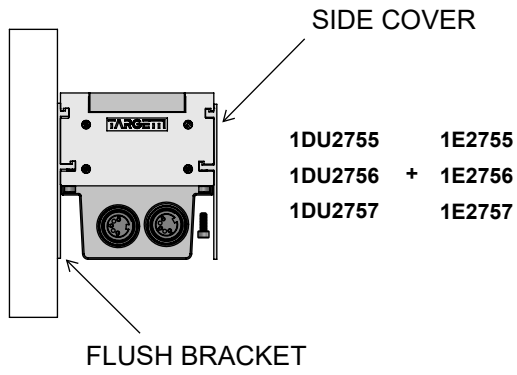


1E2758
1E2753 + 1E2759
1E2760



Side Cover Options -Wall

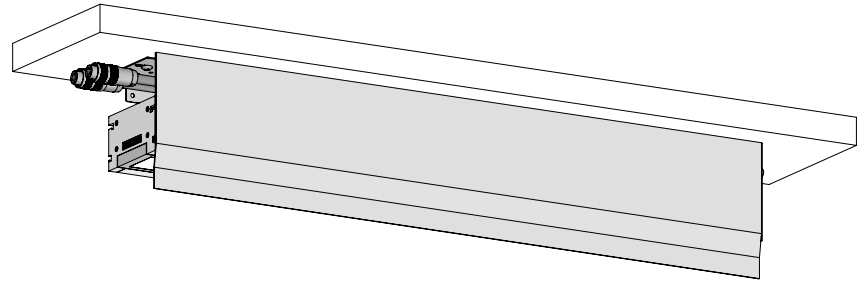
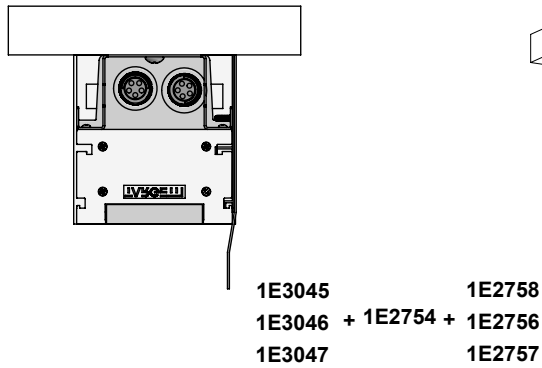
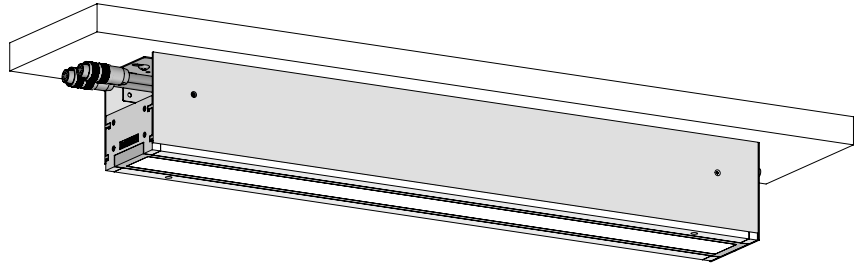
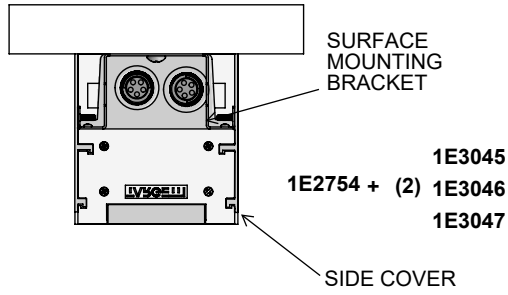
WITH FLUSH BRACKET



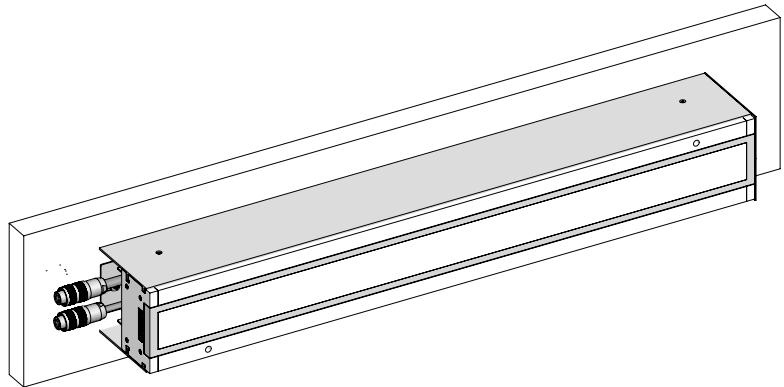
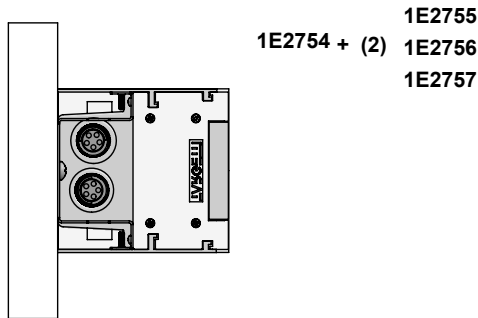
Side Cover Mounting Options - Ceiling

WITH SURFACE MOUNTING BRACKET - 1E2754

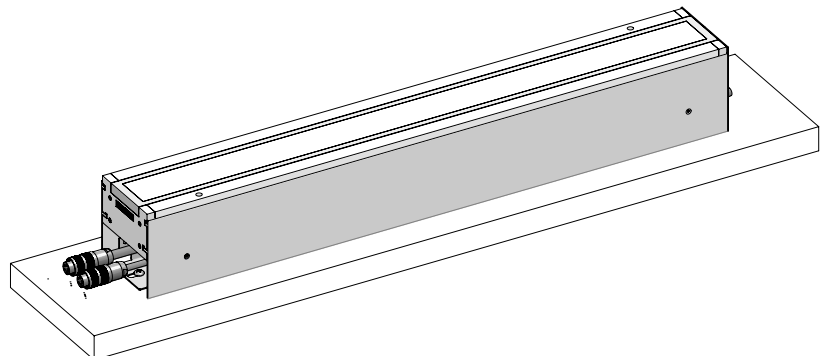
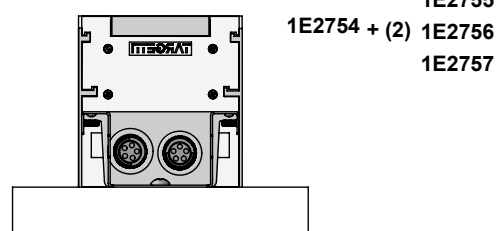
CEILING MOUNT



WALL MOUNT

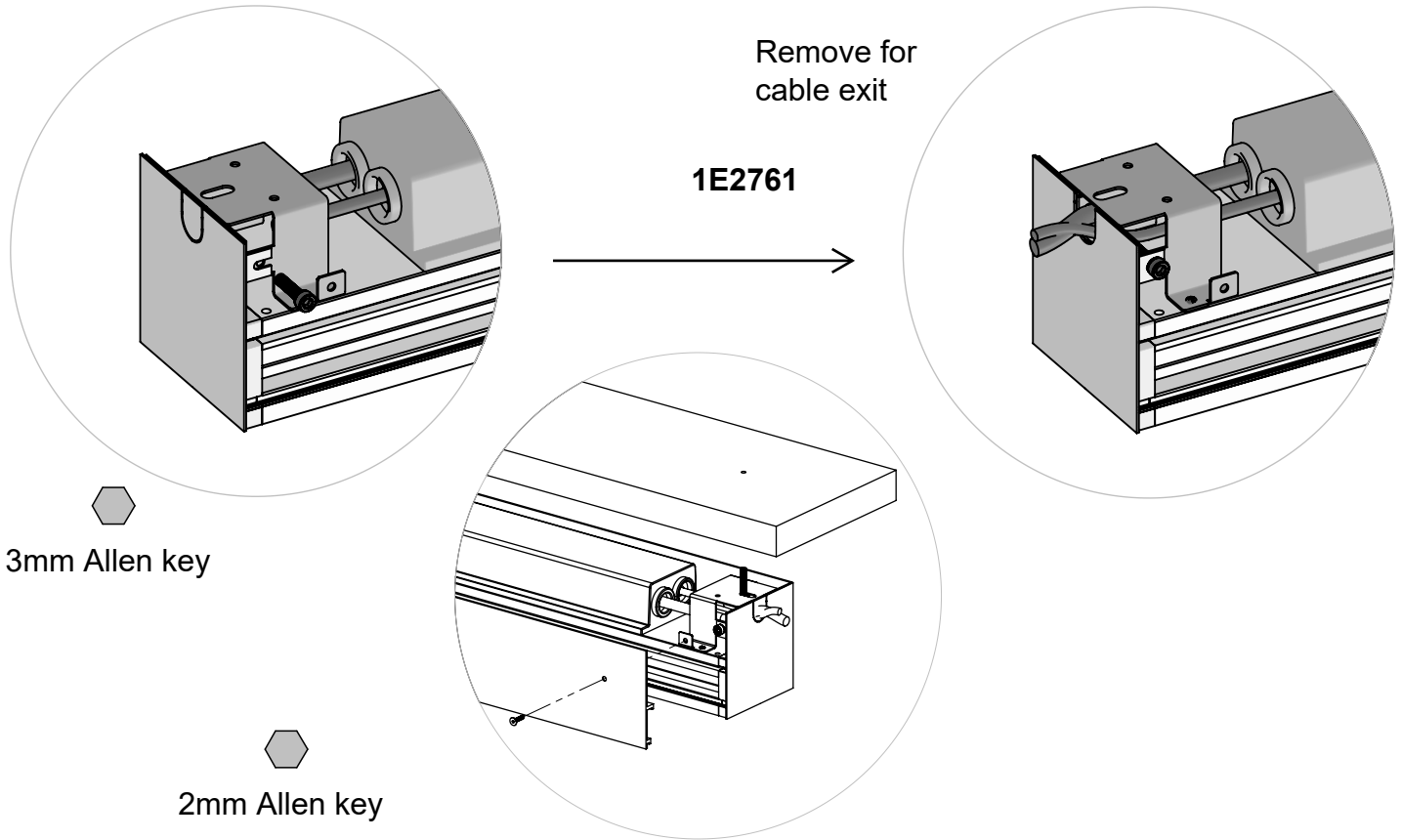


FLOOR MOUNT

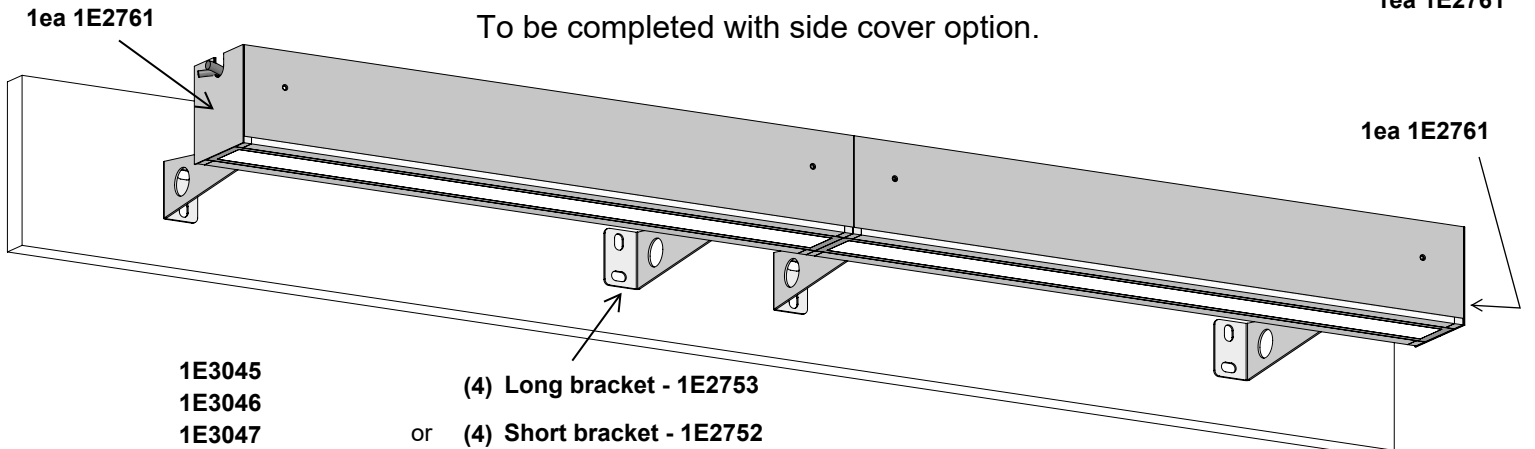
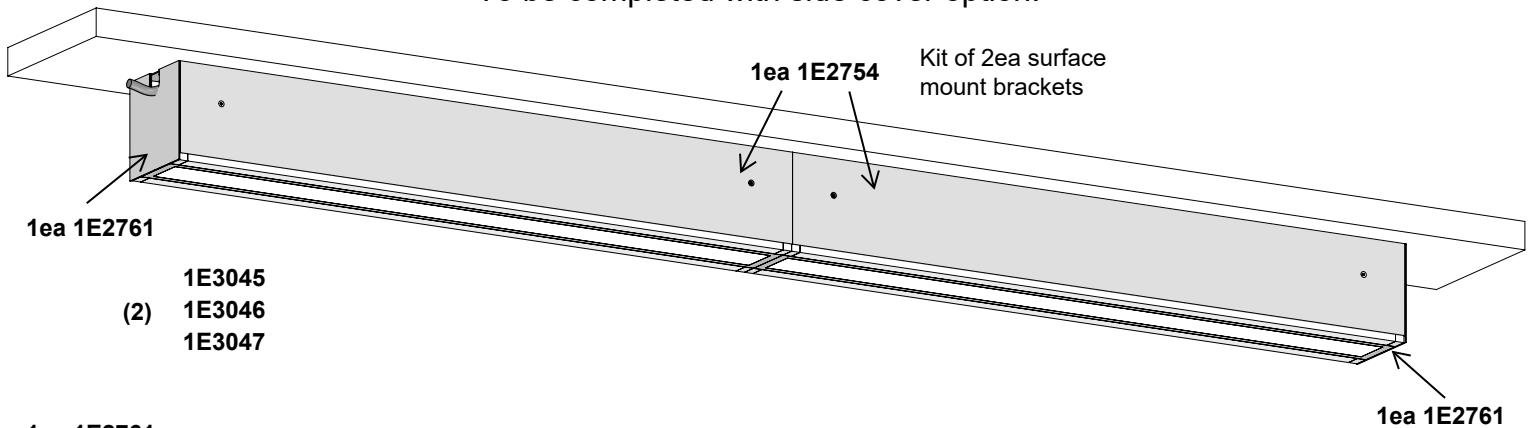


Mounting Installation Cont.

End Cap - 1E2761



To be completed with side cover option.







DMX Control

Targetti JEDI RGBW Fixture are Individually addressable fixtures with direct DMX Connections through each fixture to the next.

It is required that a project layout and address chart of fixture is supplies for factory addressing and labeling of each fixture per clients. Control Specifications Fixture have a preset default to 1/2 power on the red LED if there is no DMX signal corrected. See below for DMX components and suggested factory service options.

CONTROL (OPTIONAL)

Part No.		Channels	Scenes	Zones	Rating	Voltage	Certification	Dimensions	Description
TGDMXSLESAU9		256	20	1	Indoor	5.5V DC	ETL, UL	5.3"W x 5.5"H x 1.9D	Nicolaudio Slesa smart DMX 1/2 universe programmable controller with easy to use software interface.
TGDMXSLESAU11		1024	5	99	Indoor	5VDC 120V AC Plug in power supply included	ETL	6.3" x 3.6" x 1.8"	Nicolaudio Slesa smart DMX interface, 2 DMX 512 universes, intuitive backlit keyboard programmable controller with easy to use software interface.
TGDMXSTICKDE3B		1024	10	500	Indoor	6-7V DC 120V AC Plug in power supply included	ETL	5.8" x 4.2" x 0.5"	Nicolaudio intelligent control keypad with glass touch sensitive graphic display, stand-alone DMX 512, 2 universe programmable controller with easy to use software interface. Black finish.
TGDMXSTICKDE3W		1024	10	500	Indoor	6-7V DC 120V AC Plug in power supply included	ETL	5.8" x 4.2" x 0.5"	Nicolaudio intelligent control keypad with glass touch sensitive graphic display, stand-alone DMX 512, 2 universe programmable controller with easy to use software interface. White finish.



USB-RDM Programmer code. DMX-RDM (Remote Device Management) address planner. Used with the "RDM Targetti" software that can be downloaded for free from the Targetti USA website. To be used with all RGBW products. The USB-RDM programmer manages to direct DMX-RDM fixtures if there are no BUFFER or Splitter DMX on the section.

Part No. 1E2767

DMX CABLE RECOMMENDATION

Targetti USA recommends use of Belden 3105A DMX outdoor cable for homeruns from controller to first fixture. Max distance of 800ft from controller to last fixture.

Service Options

PRE-SHIP ADDRESSING

A Targetti technician shall factory address each fixture per the project addressing chart (provided by customer) prior to shipping. The project addressing chart shall be received prior to fixture shipping. If fixture addressing chart is not received, fixture will be default addressed at 001. Targetti shall not be responsible for delays due to the requested addressing configuration not being provided within the requested time-frame.

ALTERNATIVE

PRGM02

Before, during or after fixture rough in installation is completed, a Targetti technician shall travel to the installation site. The project is reviewed and checked for proper wiring, installation and functionality of the primary power and control systems before Control system operation is switched on. Any installation issues are addressed and resolved with the onsite contractors. All fixture addressing is confirmed and can be changed as required, the the Targetti technician will perform this task in accordance to the intended lighting design. For local installations (within 50mi of Costa Mesa, CA), consult factory. Travel expenses excluded and billed separately.

PRGM03

After fixture installation is complete, a Targetti technician shall travel to the installation site to assist contractor and/or systems integrator to trouble shoot issues that are resulting in non-operation or incorrect function of the system when connector into Control Systems Protocols. The project is reviewed and checked for proper wiring, installation and functionality of the system and proper System data flow from Control, Gateways and Fixtures. Any installation/control issues are addressed and resolved with the onsite contractors. If onsite fixture programming is required, the Targetti technician will perform this task in accordance to the intended lighting design. For local installations (within 50mi of Costa Mesa, CA), consult factory. Travel expenses excluded and billed separately.

PRGM04

A Targetti technician shall provide overall control training for end users / the facility maintenance team. This training covers overall usability of the lighting control(s), focusing on functionality and programming.

Maintenance

This fixture was designed and manufactured for a durable, long lasting use with minimum care. To ensure the maximum lifespan of this product, we encourage our customer to provide a quality visual inspection of the fixture and installation accessories every six months. If there are any visible signs of issues (i.e moisture or dust) during the inspection, please clean any of the dust or moisture with a soft cloth and check to make sure that any of the fixtures are still operating normally. If there are any issues regarding the fixture please contact us as we will assist the situation at hand.

Support

Any questions, problems, or comments you have please feel free to contact our Customer Service department during our business hours Monday-Friday 8am-5pm via: Email: usaorders@targetti.com
Phone: (714) 513-1991

Visit our website: <http://www.targettiusa.com>