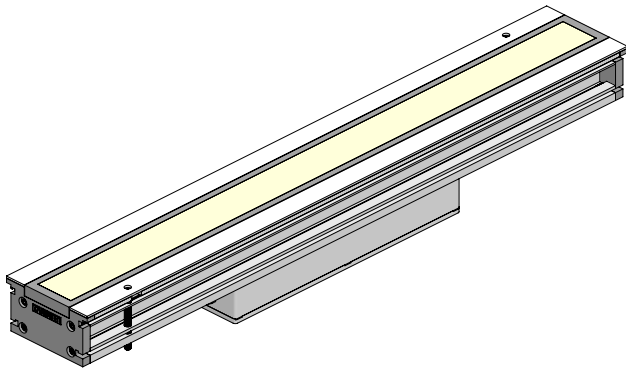




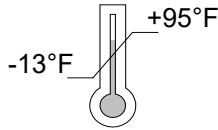
JEDI RECESSED RGBW

JERDX-(WW), (WG), (FL), (SP)

JEDI RECESSED RGBW - (WALL WASH),
(WALL GRAZER), (FLOOD), (SPOT)

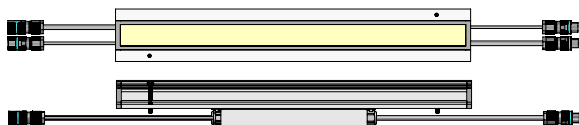


120-277 VAC

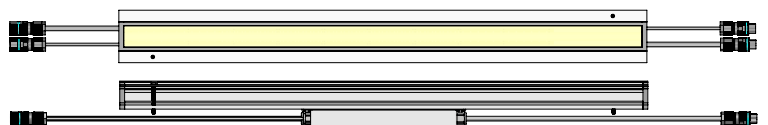


If in doubt about the symbols, please refer to catalog or website.

24"



36"



48"



WARNING

To ensure a maximum efficient use of the product, read the instructions before proceeding with installation.



This fixture must be installed by a licensed and qualified electrician. The installer must comply with NEC and local building codes when installing the fixture.



Electrical current can cause painful shock, serious injury, or even death. Make sure you turn off the power supply, ground fixture(s), and make sure all electrical connections are correct and secured.



For use in IP68, and IP69K installations.



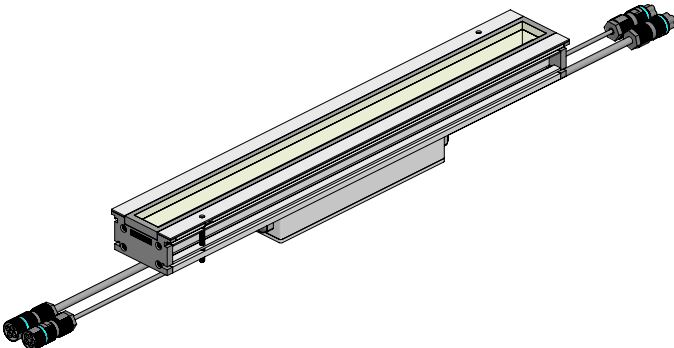
Keep the label of the original packaging if any eventual future claims are needed.

Table of Contents

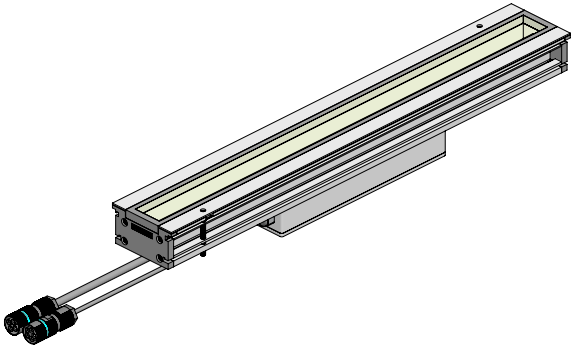
| | |
|-------------------------------------|----------|
| Packaging Contents | Pg.2/3 |
| JEDI Recessed RGBW Cabling Types | Pg.4/5 |
| Required Sleeve Sold Separately | Pg.6 |
| Optional Lead and Jumper Cable Sets | Pg.7 |
| Stainless Steel Sleeve Installation | Pg.8/15 |
| Electrical Rough in | Pg.16 |
| DMX Control / Service Options | Pg.17/18 |
| Maintenance / Support | Pg.19 |

Packaging Contents

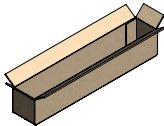
**LEAD / CENTER FIXTURE
WITH INPUT / OUTPUT
POWER & DMX CABLES**



**SOLO / END FIXTURE
WITH INPUT ONLY
POWER & DMX CABLE**



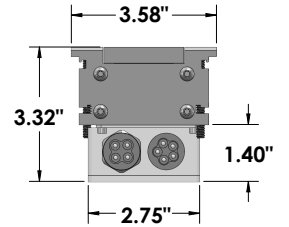
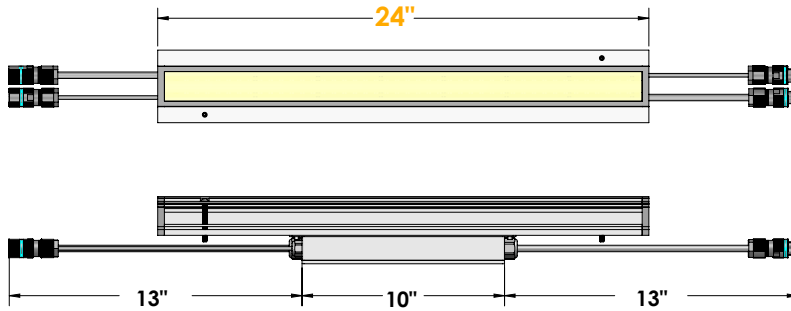
**LEAD AND SOLO FIXTURE INCLUDE
1ea. SET OF 10ft POWER AND 10ft
DMX LEAD CABLE**



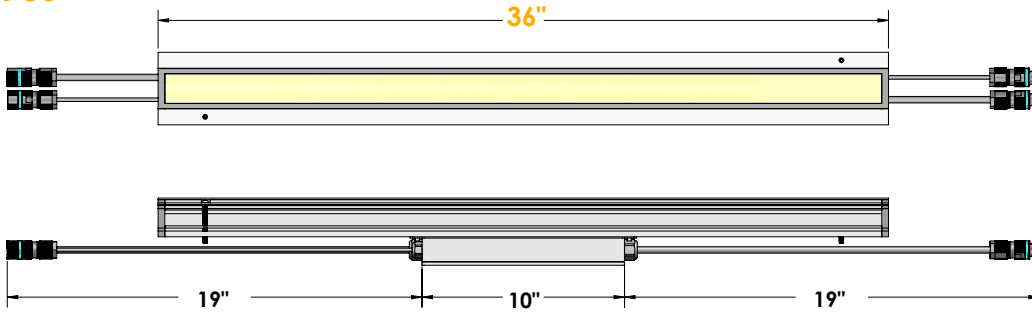
**24" Fixture in 26"x6"x5" Box @7.7 lbs
36" Fixture in 38"x6"x5" Box @9.0lbs
48" Fixture in 50"x6"x5" Box @15.0 lbs**

Fixture Dimensions

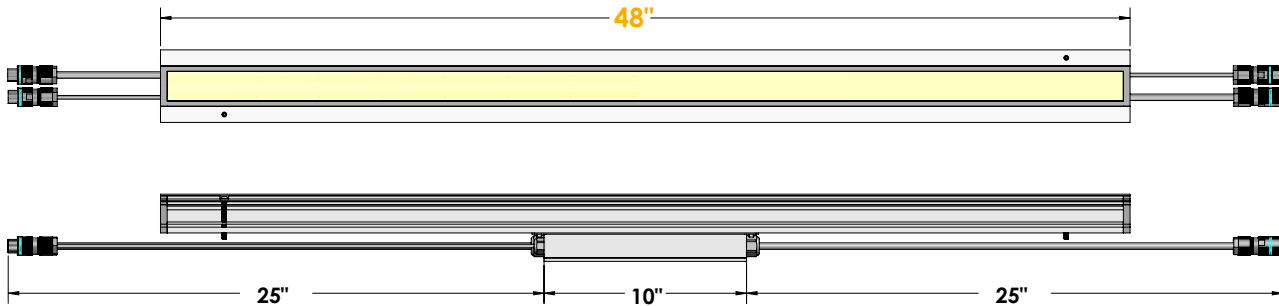
JEDIRDX-24-



JEDIRDX-36-



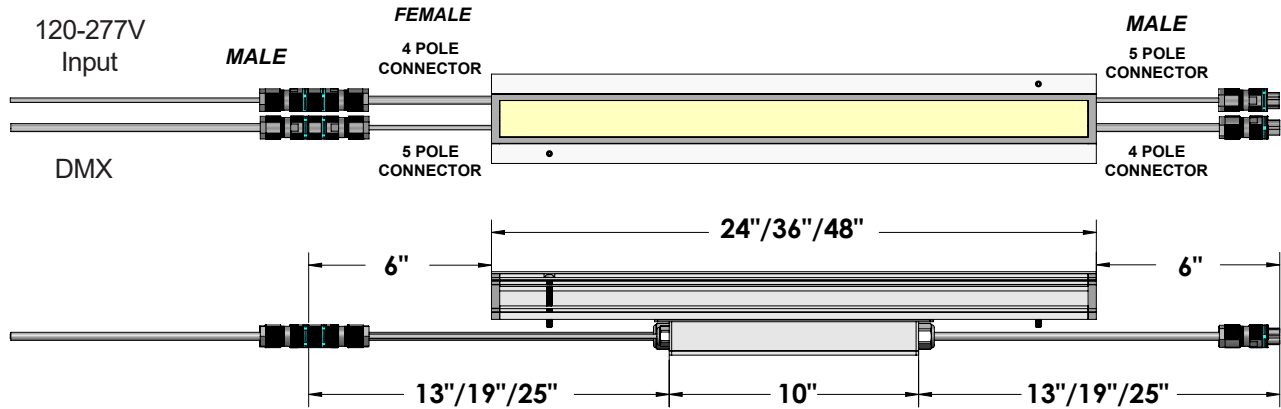
JEDIRDX-48-



JEDI Recessed RGBW Cabling Types

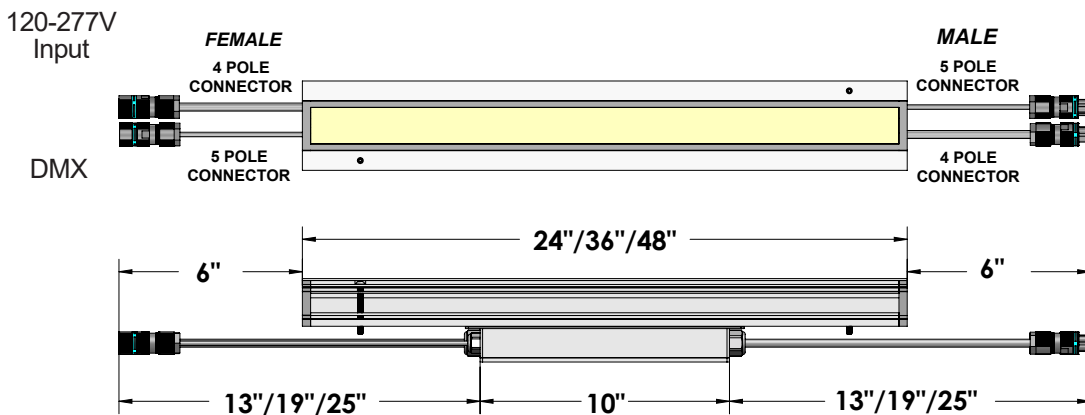
Fixture code: L
Lead Fixture Cabling

10ft lead cable set



Lead - prewired input/output 18-3 line voltage and 18-2 data lead cables with IP68 quick disconnects. Also includes 1 ea. set power and DMX lead cables with IP68 connector at end.

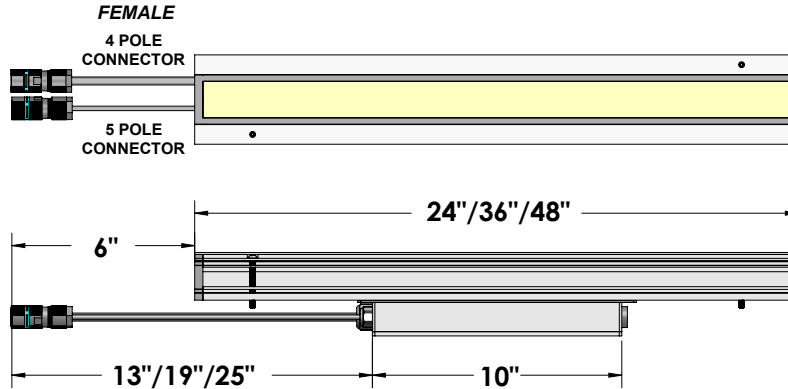
Fixture code: C
Center Fixture Cabling



Center- prewired input/output for inline connections with 18-3 line voltage and 18-2 data lead cables with IP68 quick disconnects included.

JEDI Recessed RGBW Cabling Types

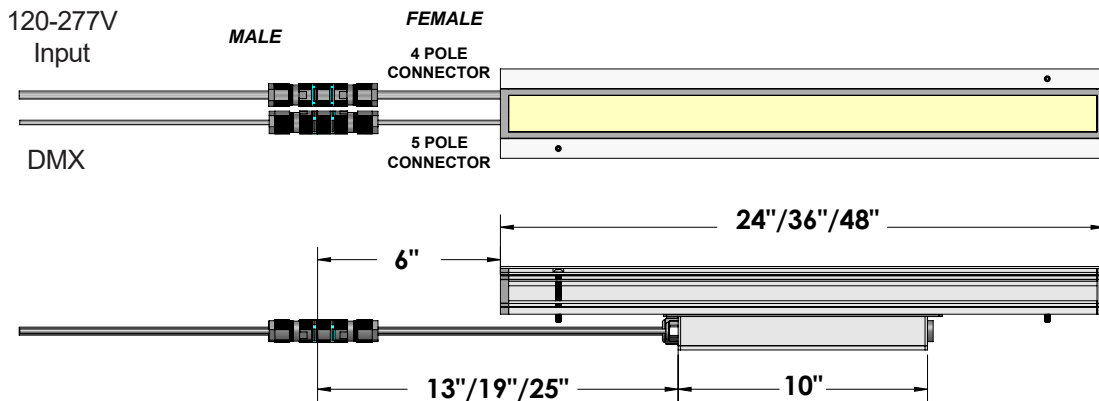
Fixture code: E
End Fixture Cabling



End - prewired input for end of line connections with 18-3 line voltage and 18-2 data lead cables with IP68 quick disconnects.

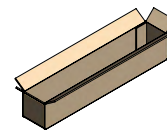
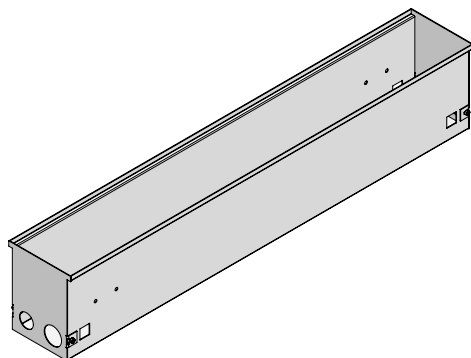
Fixture code: S
Solo Fixture Cabling

10ft lead cable set



Solo - prewired input 18-3 line voltage and 18-2 data lead cables with IP68 quick disconnects. Also includes 1 ea. set power and DMX lead cables with IP68 connector at end.

Required Sleeve Sold Separately

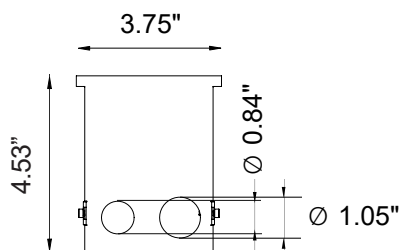


STAINLESS STEEL JEDI SLEEVE

- 1US2749 Fixture in 26"x6"x5" Box @4.0 lbs
- 1US2750 Fixture in 38"x6"x5" Box @5.5 lbs
- 1US2751 Fixture in 50"x6"x5" Box @7.0 lbs

ALUMINUM JEDI SLEEVE

- 1E3508 Fixture in 38"x6"x5" Box @4.5 lbs
- 1E3509 Fixture in 50"x6"x5" Box @6.0 lbs



Front View: Fixture with sleeve dimensions

Stainless steel installation sleeve, supplied with 2ea end caps with 1/2" and 3/4" knock out
Best used for harsh environments and for solo fixture installations that require more cable slack cable space underneath the fixture. Can also be used for interconnected fixtures or with paver installations.

| Length | 24" | 36" | 48" |
|----------|------------|------------|------------|
| Part No. | 1US2749DMX | 1US2750DMX | 1US2751DMX |

Optional Lead and Jumper Cable Sets

ADDITIONAL LEAD CONNECTION CABLE (OPTIONAL))



JEDI RGBW additional lead kit includes 1ea 18-3 line voltage and 1ea Belden 3105A outdoor DMX cable with IP68 quick disconnects.

| | | | |
|-----------------|---------------------|---------------------|---------------------|
| <i>Length</i> | 10ft | 25ft | 50ft |
| <i>Part No.</i> | JERDXLEAD-10 | JERDXLEAD-25 | JERDXLEAD-50 |

ADDITIONAL JUMPER CONNECTION CABLE (OPTIONAL)

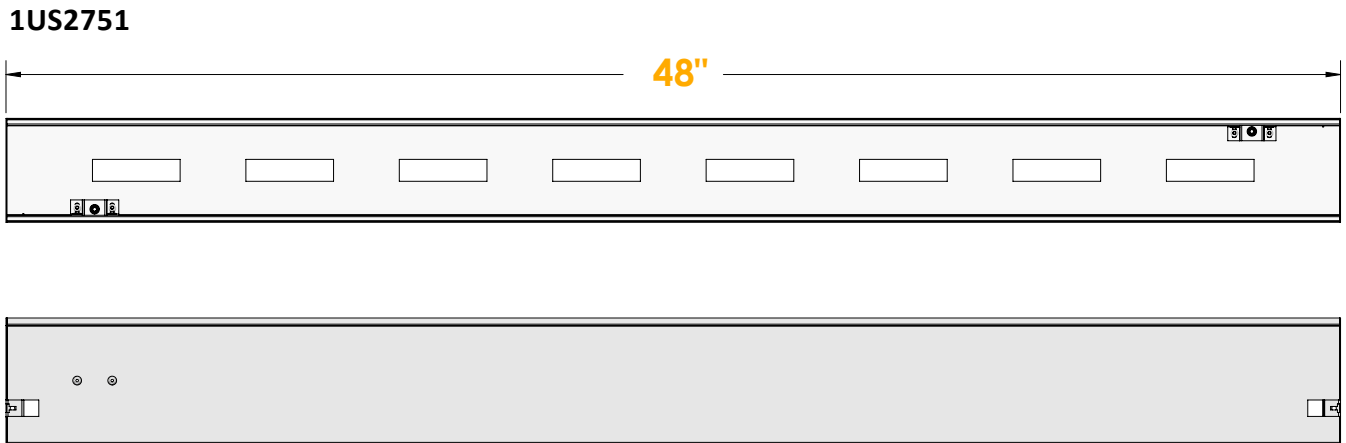
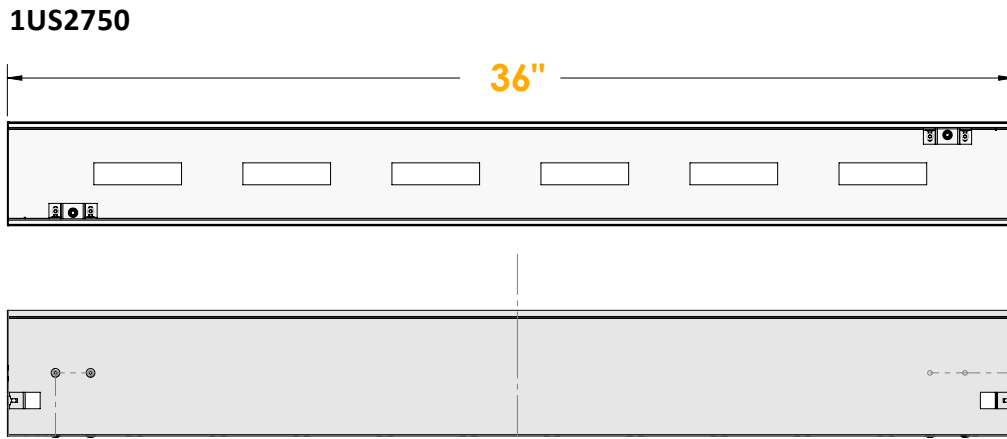
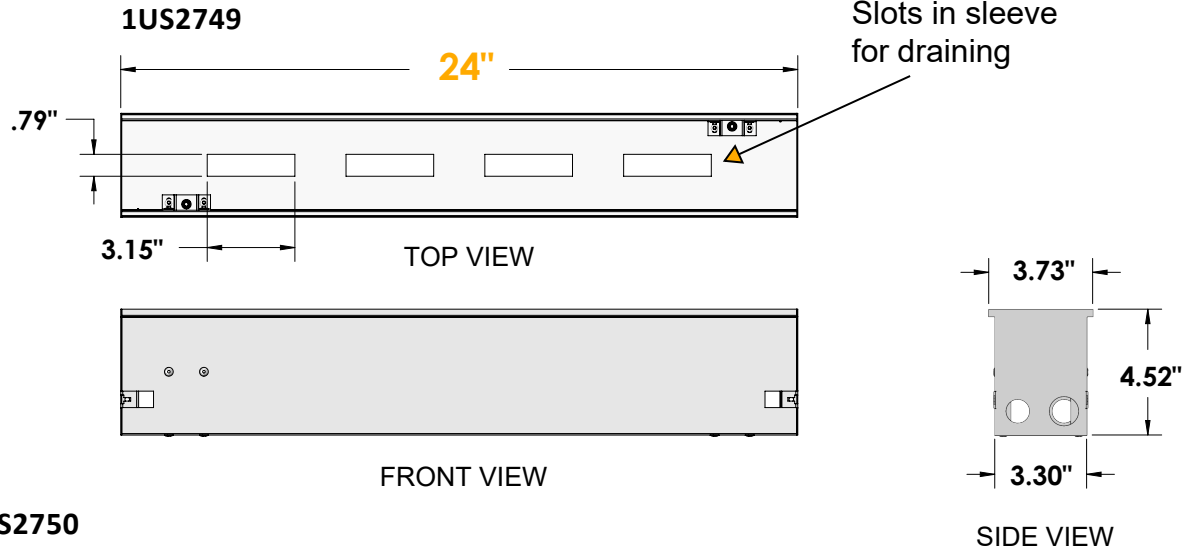


JEDI RGBW jumper kit includes 1ea 18-3 line voltage and 1ea Belden 3105A outdoor DMX cable with IP68 quick disconnects.

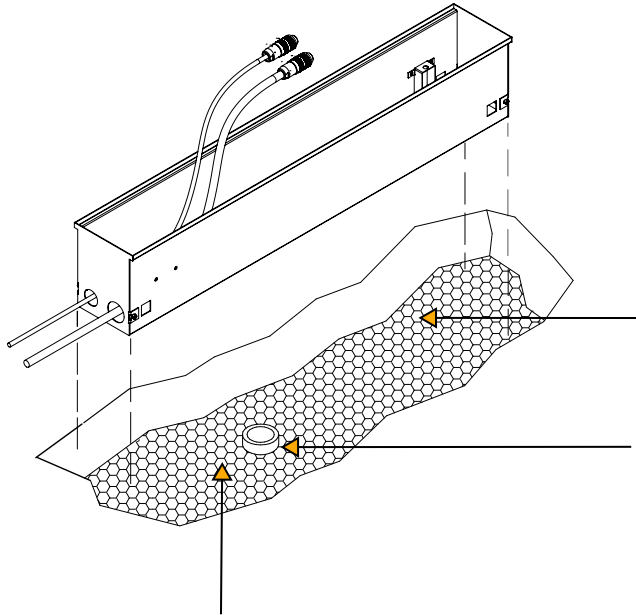
| | | | |
|-----------------|---------------------|---------------------|---------------------|
| <i>Length</i> | 4ft | 10ft | 25ft |
| <i>Part No.</i> | JERDXJUMP-04 | JERDXJUMP-10 | JERDXJUMP-25 |

Stainless Steel Sleeve Installation

24" / 36" / 48"



Stainless Steel Sleeve Installation Cont.



Gravel should be used as drainage material based on local NEC codes for in grade application.

or

A Drainage Pipe option if application is not in grade

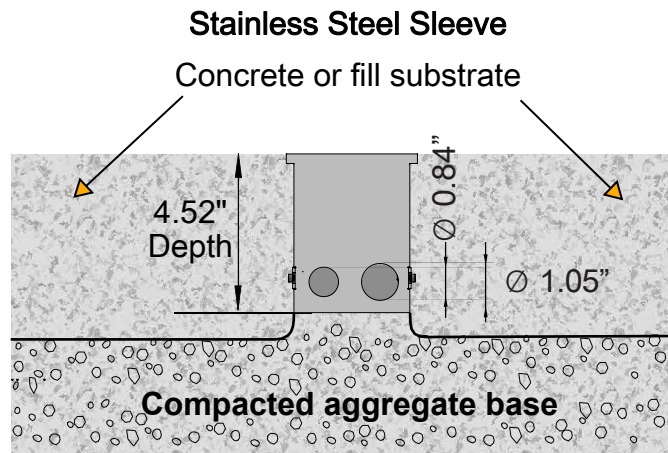
- In order to check the efficiency of the drainage, the quantity of water equivalent to the volume of the sleeve must completely drain in 45 minutes
- Drainage testing should be performed prior to installation of the sleeve

TEST DRAINAGE

WARNING

Failure to provide adequate draining installation will void warranty

- *Install insertion sleeve on the desired area where light fixture will be illuminating. Make sure the sleeve is mounted on a compressed base and leveled. Metal plates must be placed on to position before pouring concrete.



Place Sleeve in correct location.

Make sure Sleeve is level by adjusting mounting surface.

Note: A sloped surface will affect the light distribution of a fixture. Ground level is optimal for a tilt setting for your application.

Stainless Steel Sleeve Installation

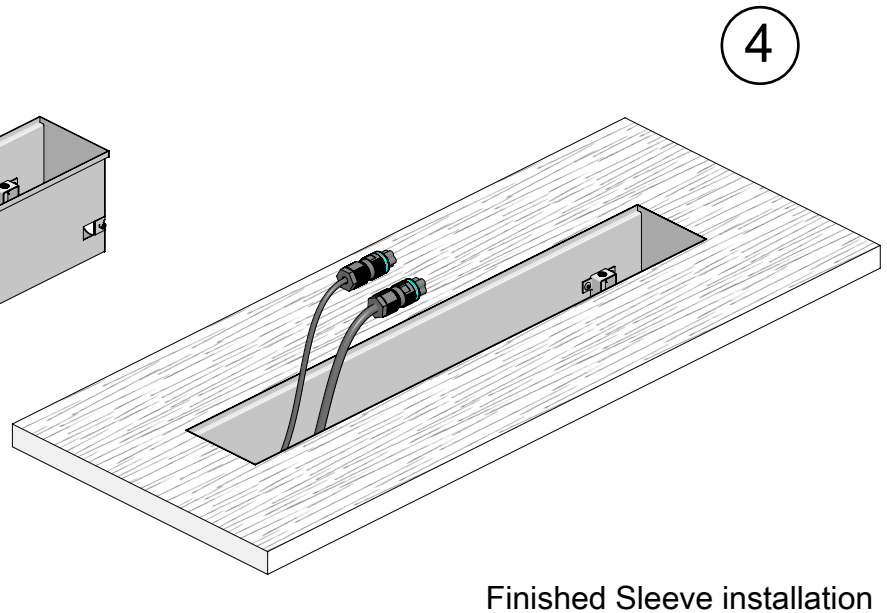
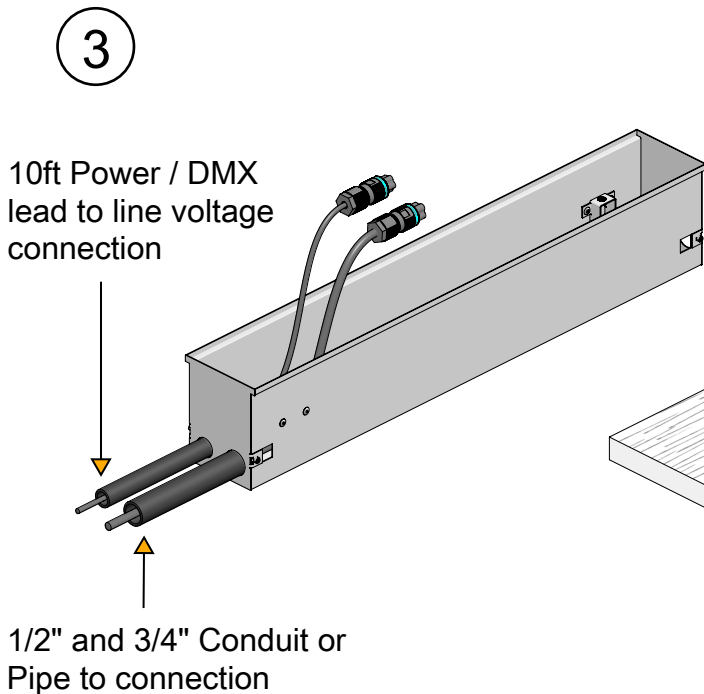
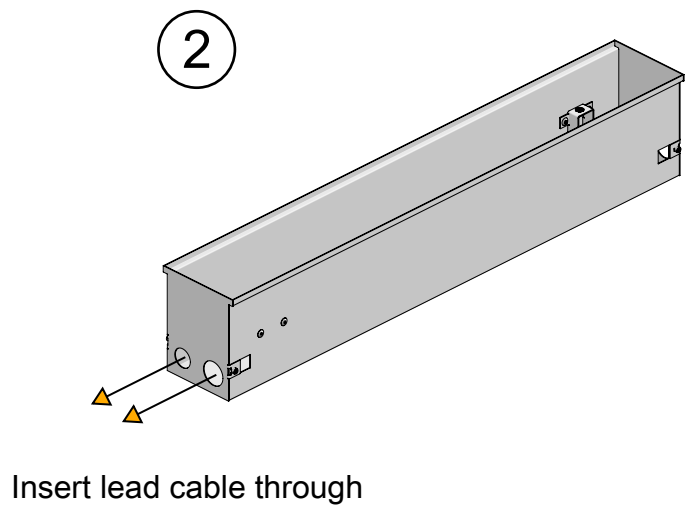
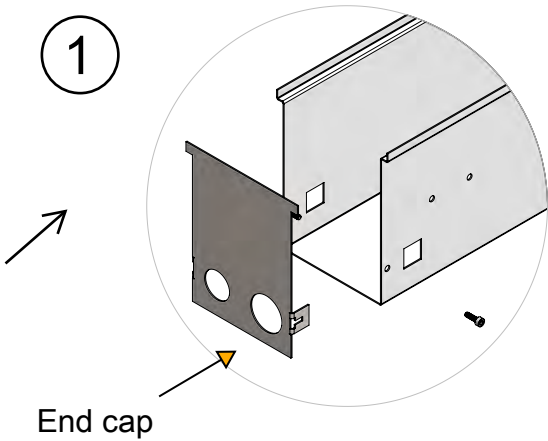
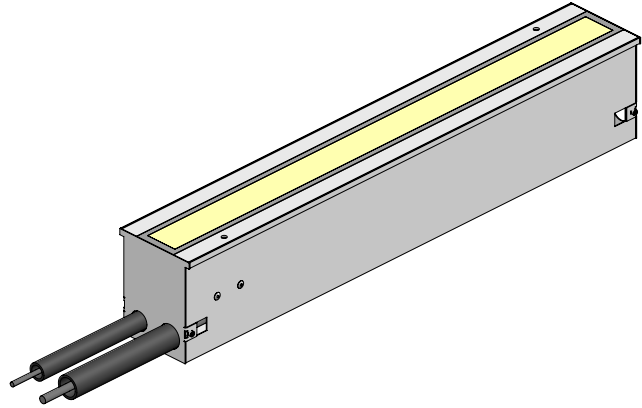
Solo Fixture Installation

24" / 36" / 48"

End caps to be installed 1 on each side of sleeve.

Insert 2 screws on each side of sleeve to secure the end caps on to position and tighten screws as shown on image.

TARGETTI SUPPLIED CONNECTIONS INSIDE OF SLEEVE SPACE.

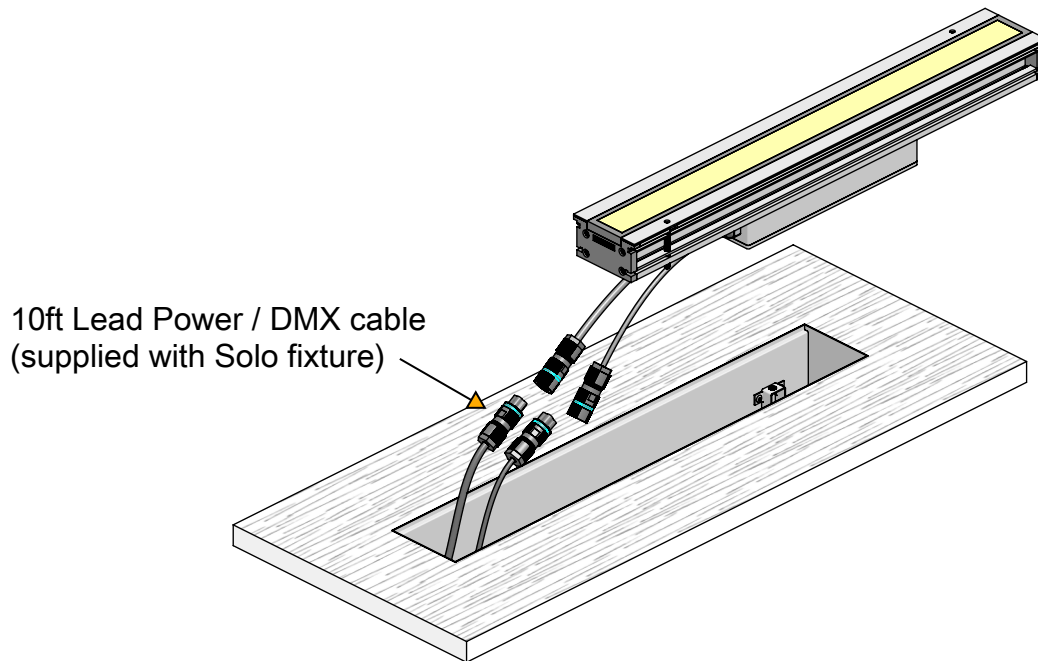


Stainless Steel Sleeve Installation

Solo Fixture

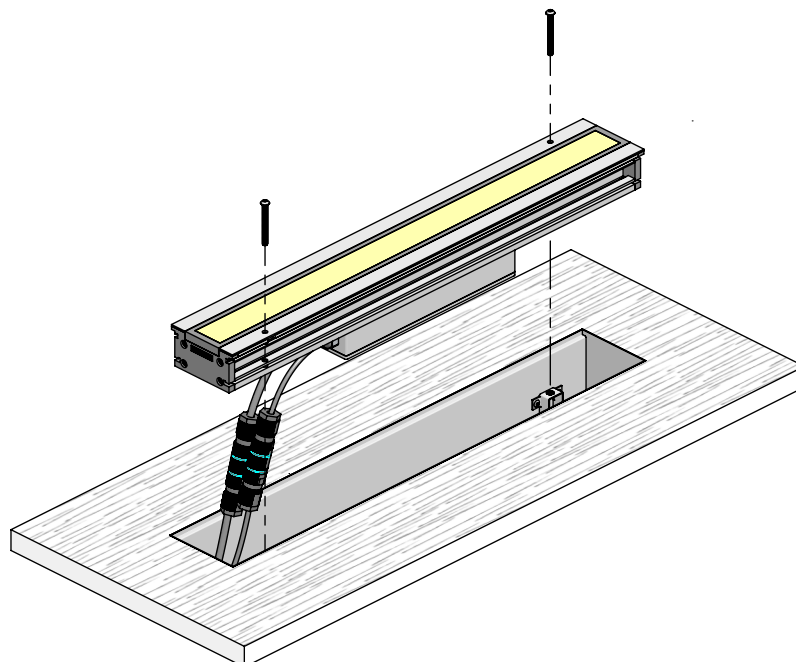
24" / 36" / 48"

- Fixture Lead cable is connected to nearest J-Box location for line voltage and DMX connections. IP68 connector is secured to fixture by clicking the two locks on connector sides to ensure a sealed connection.
- Once connected, insert the fixture into the fixture's sleeve and tightened both anti-tamper screws until fixture locks inside the sleeve



Important note:

Jedi Wall Wash fixtures have an symmetric light output. Be sure to align the fixtures in the correct emission direction. Each fixture is labeled to show direction on illuminating.



Stainless Steel Sleeve Installation

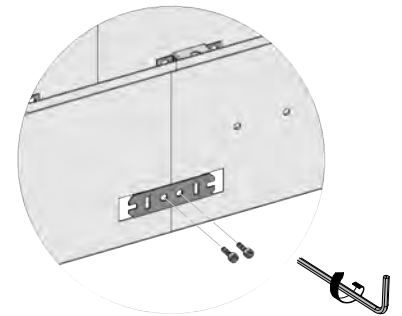
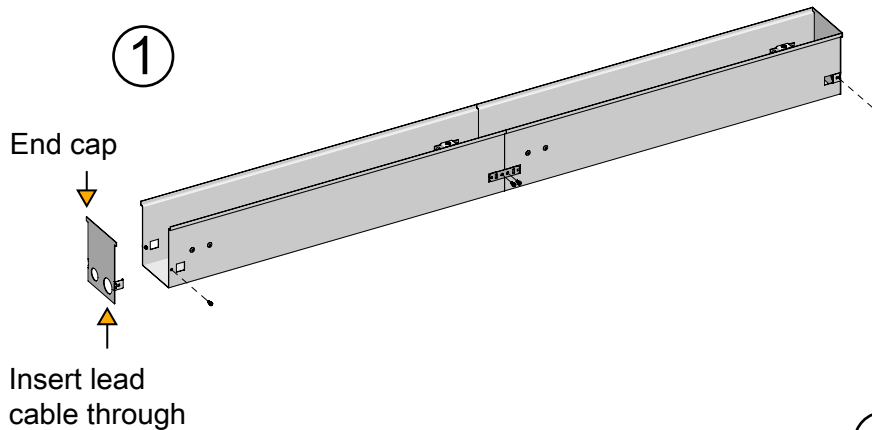
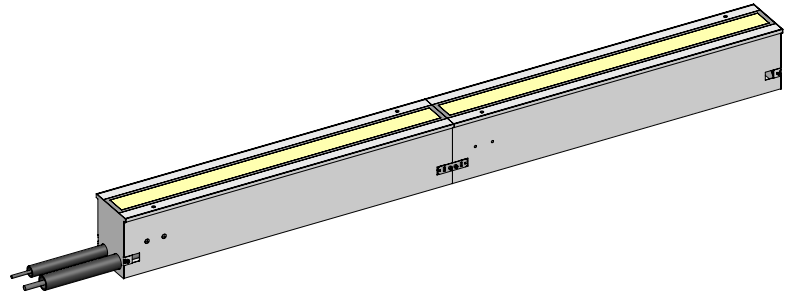
Interconnected Fixture Installation

Mix of 24" / 36" / 48"

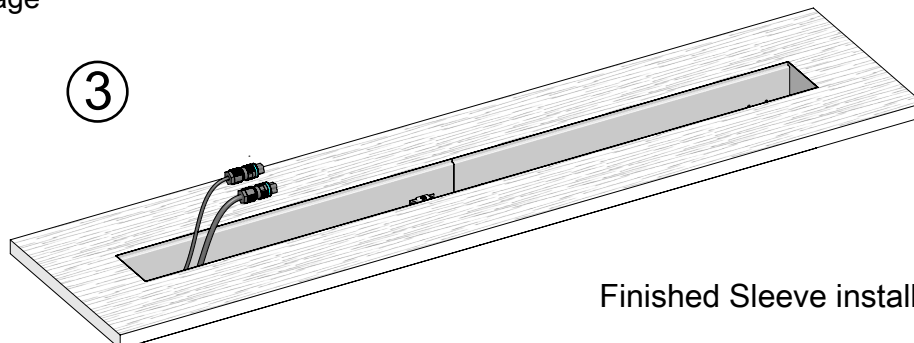
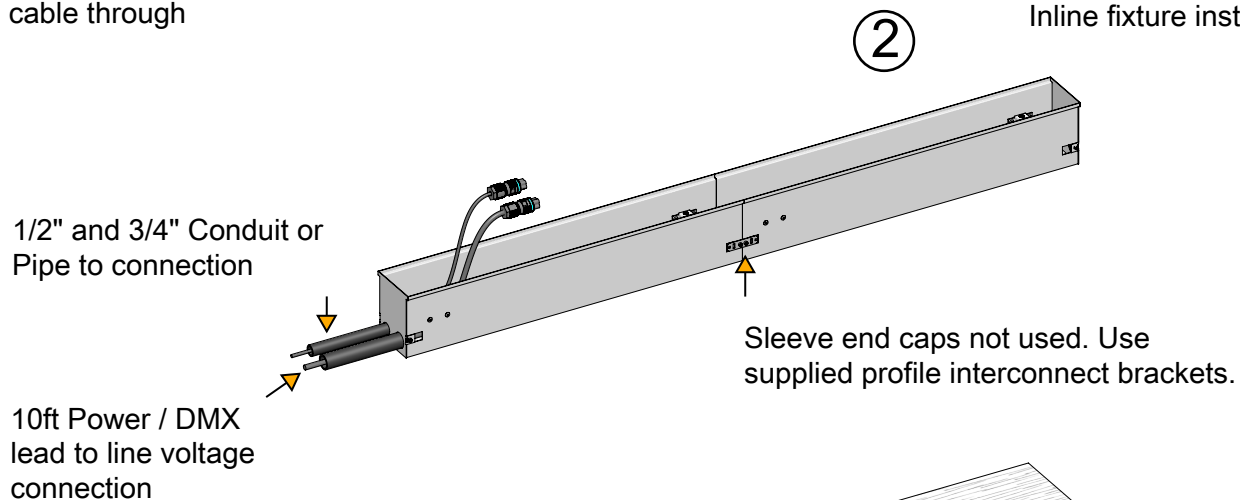
End caps to be installed 1 on the end side of lead sleeve, and one on the end side of end sleeve.

Insert 2 screws on each end cap for lead and end sleeves, to secure end caps on to position and tighten the screws as shown on image.

Insert 2 screws on each side of sleeve to secure the sleeve joiner clips on to position and tighten screws as shown on image.



Sleeve joiner clip for Inline fixture installation



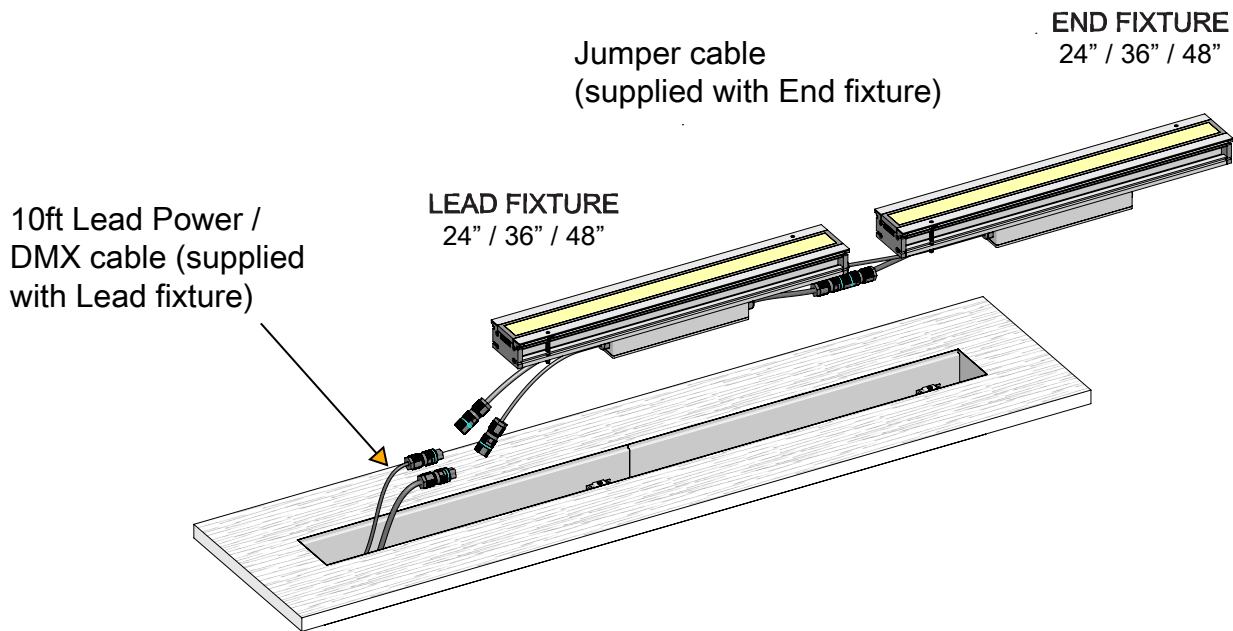
Finished Sleeve installation

Stainless Steel Sleeve Installation

Interconnected Fixture Installation

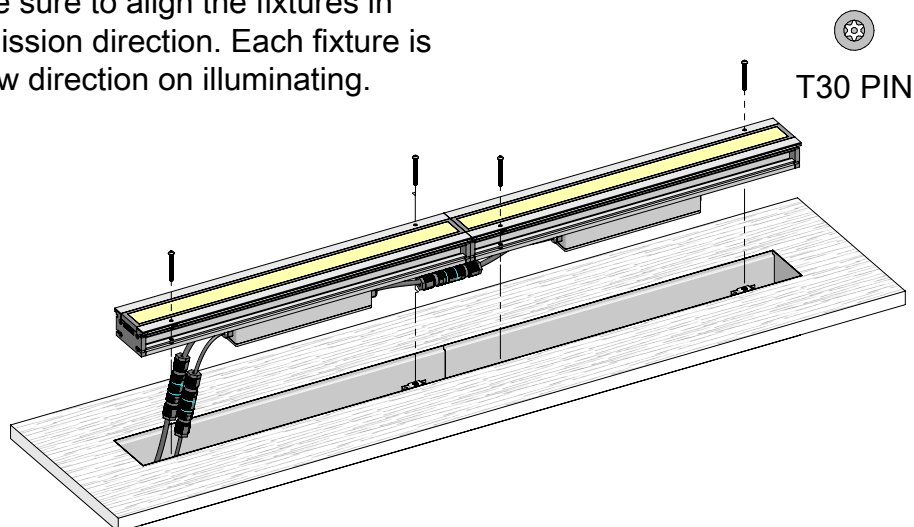
Mix of 24" / 36" / 48"

- Fixture Lead cable is connected to nearest J-Box location for line voltage and DMX connections. IP68 connector is secured to fixture by clicking the two locks on connector sides to ensure a sealed connection.
- For multiple fixtures: be sure to arrange the fixtures in the correct order before connecting. Jumper cables are supplied and used to connect multiple fixtures between each other in a linear connection.
- Maximum power consumption of multiple fixtures on one line is 1500W*.
- Once connected, insert the fixture into the fixture's sleeve and tightened both anti-tamper screws until fixture locks inside the sleeve



Important note:

Jedi Wall Wash fixtures have an symmetric light output. Be sure to align the fixtures in the correct emission direction. Each fixture is labeled to show direction on illuminating.

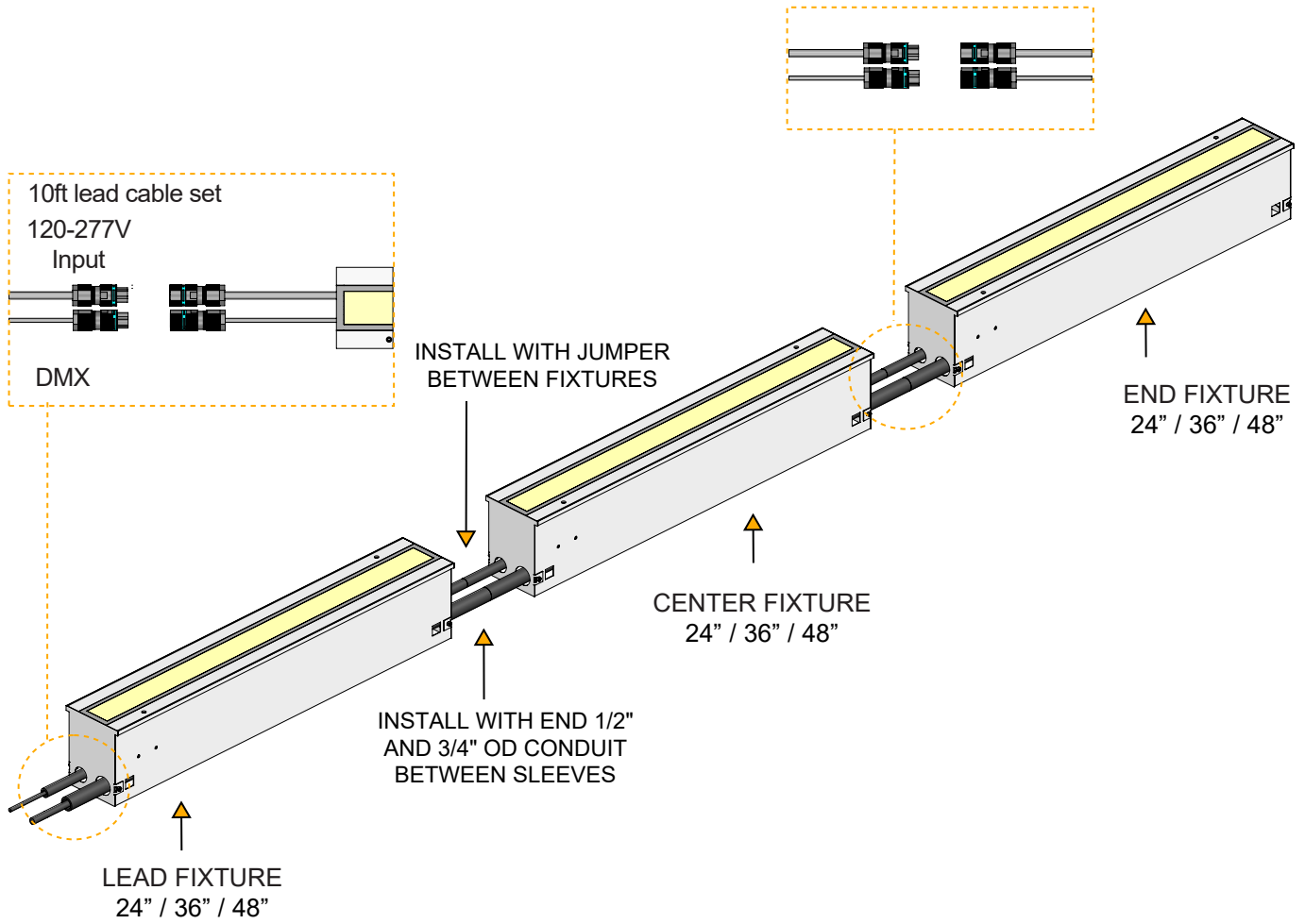


Stainless Steel Sleeve Installation

Separated Connected fixtures

Mix of 24" / 36" / 48"

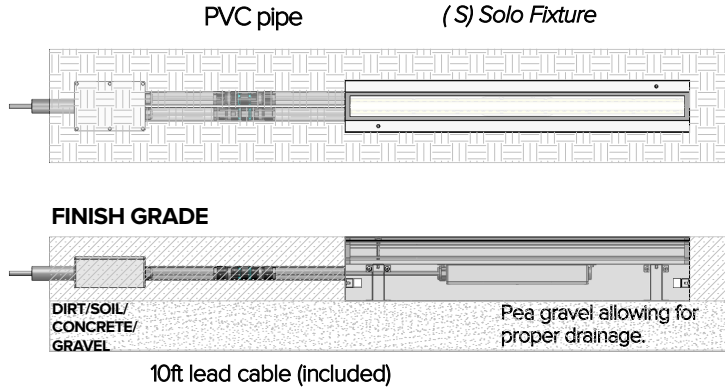
ADDITIONAL JUMPER CONNECTION CABLE



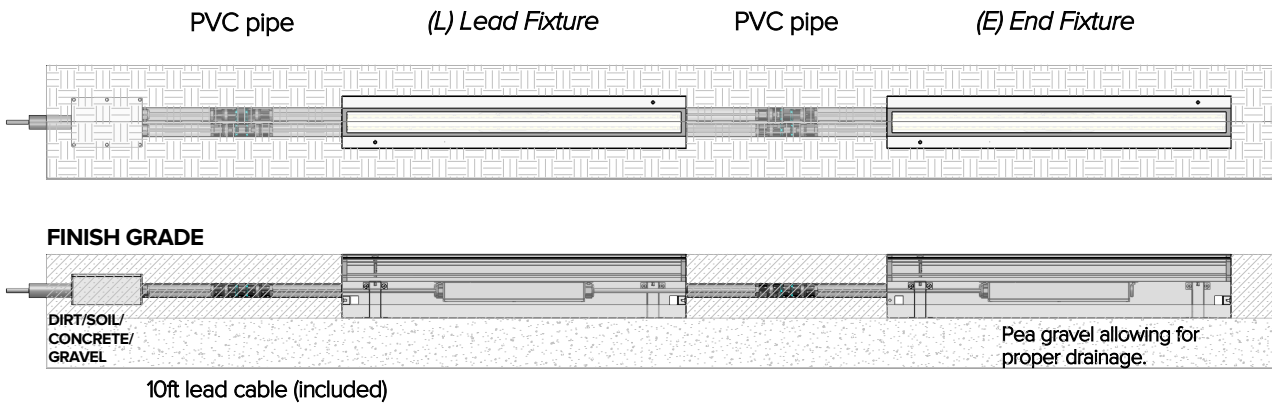
Installation Diagram

STAINLESS STEEL INSTALLATION SLEEVE

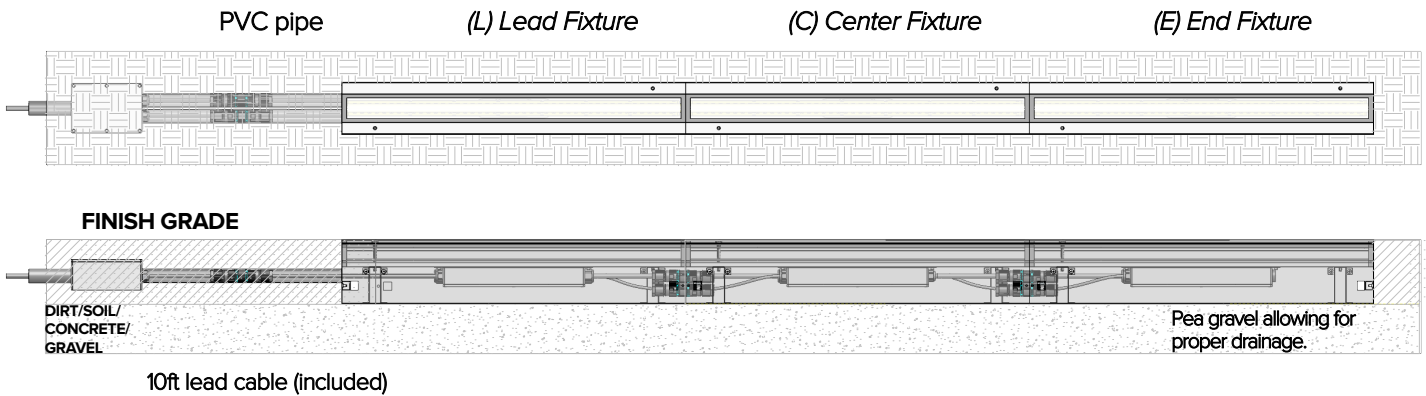
SOLO MOUNTING CONFIGURATION



IN-LINE MOUNTING CONFIGURATION



IN-LINE CONTINUOUS ROW MOUNTING CONFIGURATION



Electrical Roughin

- For each individual run we recommend that the electrical J-Box is positioned within 10ft. away from lead fixture for use with standard 10ft. leads. Each Lead and Solo fixtures are supplied with a 10ft. lead for 120-277V Input and a 10ft. lead for 0-10V Dimming.
- Lead lengths can be ordered longer at 25ft. or 50ft. if connection to main power requires.
- If the source is 120V, max of 14 each 4-foot fixtures (50 feet of fixture illumination) on a single home run allowed.
- If the source is 277V, max of 35 each 4-foot fixtures (140 feet of fixture illumination) on a single home run allowed.
- Please see chart below for detailed information on max run lengths per circuit.

Voltage Drop Table

Voltage drop calculations are based on 10% max drop to last fixture in run for load and distances below

| Length in Fixtures | Load | Power |
|--------------------|-------|-------|
| Up to 88ft. | 1166W | 120V |
| Up to 208ft. | 2756W | 277V |

Max lengths include lengths of lead and jumper cables.





Example: 3 each 2ft. fixtures and 3 each 3ft. fixtures = 15ft. of fixture illumination.
Consider the following for every individual run:
28W for every 24" / 40W for every 36" / 53W for every 48"

DMX Control

Targetti JEDI RGBW Fixture are Individually addressable fixtures with direct DMX Connections through each fixture to the next.

It is required that a project layout and address chart of fixture is supplies for factory addressing and labeling of each fixture per clients. Control Specifications Fixture have a preset default to 1/2 power on the red LED if there is no DMX signal corrected. See below for DMX components and suggested factory service options.

CONTROL (OPTIONAL)

| Part No. | | Channels | Scenes | Zones | Rating | Voltage | Certification | Dimensions | Description |
|----------------|--|----------|--------|-------|--------|---|---------------|----------------------|--|
| TGDMXSLES9 |  | 256 | 20 | 1 | Indoor | 5.5V DC | ETL, UL | 5.3"W x 5.5"H x 1.9D | Nicolaudio Sles9 smart DMX 1/2 universe programmable controller with easy to use software interface. |
| TGDMXSLES11 |  | 1024 | 5 | 99 | Indoor | 5VDC 120V AC Plug in power supply included | ETL | 6.3" x 3.6" x 1.8" | Nicolaudio Sles11 smart DMX interface, 2 DMX 512 universes, intuitive backlit keyboard programmable controller with easy to use software interface. |
| TGDMXSTICKDE3B |  | 1024 | 10 | 500 | Indoor | 6-7V DC 120V AC Plug in power supply included | ETL | 5.8" x 4.2" x 0.5" | Nicolaudio intelligent control keypad with glass touch sensitive graphic display, stand-alone DMX 512, 2 universe programmable controller with easy to use software interface. Black finish. |
| TGDMXSTICKDE3W |  | 1024 | 10 | 500 | Indoor | 6-7V DC 120V AC Plug in power supply included | ETL | 5.8" x 4.2" x 0.5" | Nicolaudio intelligent control keypad with glass touch sensitive graphic display, stand-alone DMX 512, 2 universe programmable controller with easy to use software interface. White finish. |



USB-RDM Programmer code. DMX-RDM (Remote Device Management) address planner. Used with the "RDM Targetti" software that can be downloaded for free from the Targetti USA website. To be used with all RGBW products. The USB-RDM programmer manages to direct DMX-RDM fixtures if there are no BUFFER or Splitter DMX on the section.

Part No. 1E2767

DMX CABLE RECOMMENDATION

Targetti USA recommends use of Belden 3105A DMX outdoor cable for homeruns from controller to first fixture. Max distance of 800ft from controller to last fixture.

Service Options

PRE-SHIP ADDRESSING

A Targetti technician shall factory address each fixture per the project addressing chart (provided by customer) prior to shipping. The project addressing chart shall be received prior to fixture shipping. If fixture addressing chart is not received, fixture will be default addressed at 001. Targetti shall not be responsible for delays due to the requested addressing configuration not being provided within the requested time-frame.

ALTERNATIVE

PRGM02

Before, during or after fixture rough in installation is completed, a Targetti technician shall travel to the installation site. The project is reviewed and checked for proper wiring, installation and functionality of the primary power and control systems before Control system operation is switched on. Any installation issues are addressed and resolved with the onsite contractors. All fixture addressing is confirmed and can be changed as required, the the Targetti technician will perform this task in accordance to the intended lighting design. For local installations (within 50mi of Costa Mesa, CA), consult factory. Travel expenses excluded and billed separately.

PRGM03

After fixture installation is complete, a Targetti technician shall travel to the installation site to assist contractor and/or systems integrator to trouble shoot issues that are resulting in non-operation or incorrect function of the system when connector into Control Systems Protocols. The project is reviewed and checked for proper wiring, installation and functionality of the system and proper System data flow from Control, Gateways and Fixtures. Any installation/control issues are addressed and resolved with the onsite contractors. If onsite fixture programming is required, the Targetti technician will perform this task in accordance to the intended lighting design. For local installations (within 50mi of Costa Mesa, CA), consult factory. Travel expenses excluded and billed separately.

PRGM04

A Targetti technician shall provide overall control training for end users / the facility maintenance team. This training covers overall usability of the lighting control(s), focusing on functionality and programming.

Maintenance

This fixture was designed and manufactured for a durable, long lasting use with minimum care. To ensure the maximum lifespan of this product, we encourage our customer to provide a quality visual inspection of the fixture and installation accessories every six months. If there are any visible signs of issues (i.e moisture or dust) during the inspection, please clean any of the dust or moisture with a soft cloth and check to make sure that any of the fixtures are still operating normally. If there are any issues regarding the fixture please contact us as we will assist the situation at hand.

Support

Any questions, problems, or comments you have please feel free to contact our Customer Service department during our business hours Monday-Friday 8am-5pm via: Email: usaorders@targetti.com
Phone: (714) 513-1991

Visit our website: <http://www.targettiusa.com>