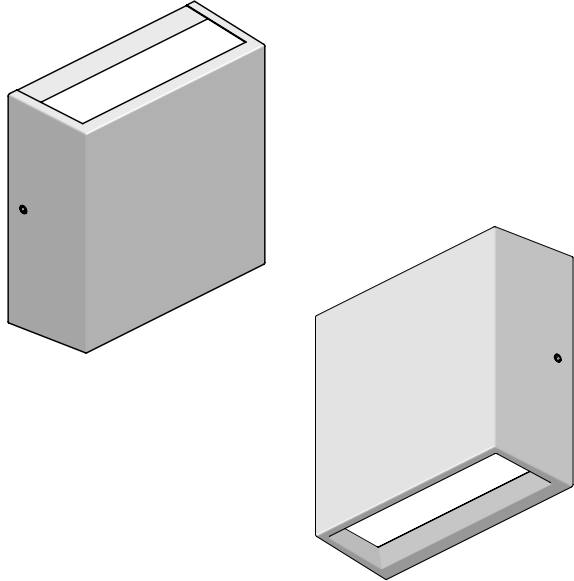




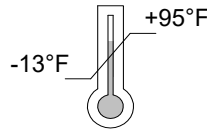
MR. SMITH
MRSW41-

WALL MOUNT LUMINAIRE

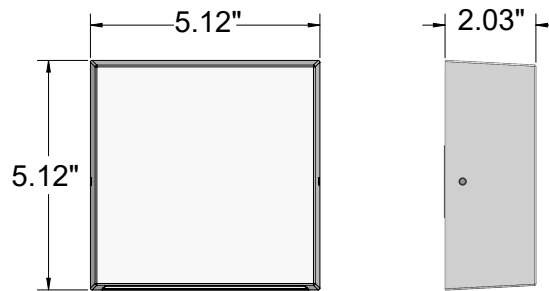


120-277V
50/60Hz

IK08



If in doubt about the symbols, please refer to catalog or website.



WARNING

To ensure a maximum efficient use of the product, read the instructions before proceeding with installation.



This fixture must be installed by a licensed and qualified electrician. The installer must comply with NEC and local building codes when installing the fixture.



Electrical current can cause painful shock, serious injury, or even death. Make sure you turn off the power supply, ground fixture(s), and make sure all electrical connections are correct and secured.



For use in IP65 installations.



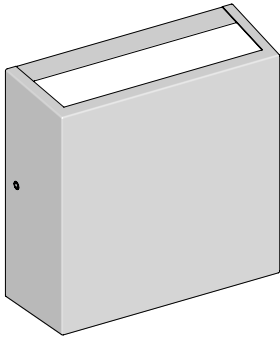
Keep the label of the original packaging if any eventual future claims are needed.

Table of Contents

Packaging Contents
Distribution of Light
Fixture Installation
Power Supply
Maintenance / Support







Pg.2
Pg.3
Pg.4/5/6
Pg.7
Pg.8

Packaging Contents



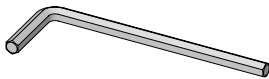
MR. SMITH
MRSW41-

FINISH

- | | | |
|---|--|--|
|  Ferrite Dark Grey |  Black |  Bronze |
|  Sandstone Grey |  Heritage Brown |  White |



Alloy Steel Cone-Point
Set Screw 2ea.

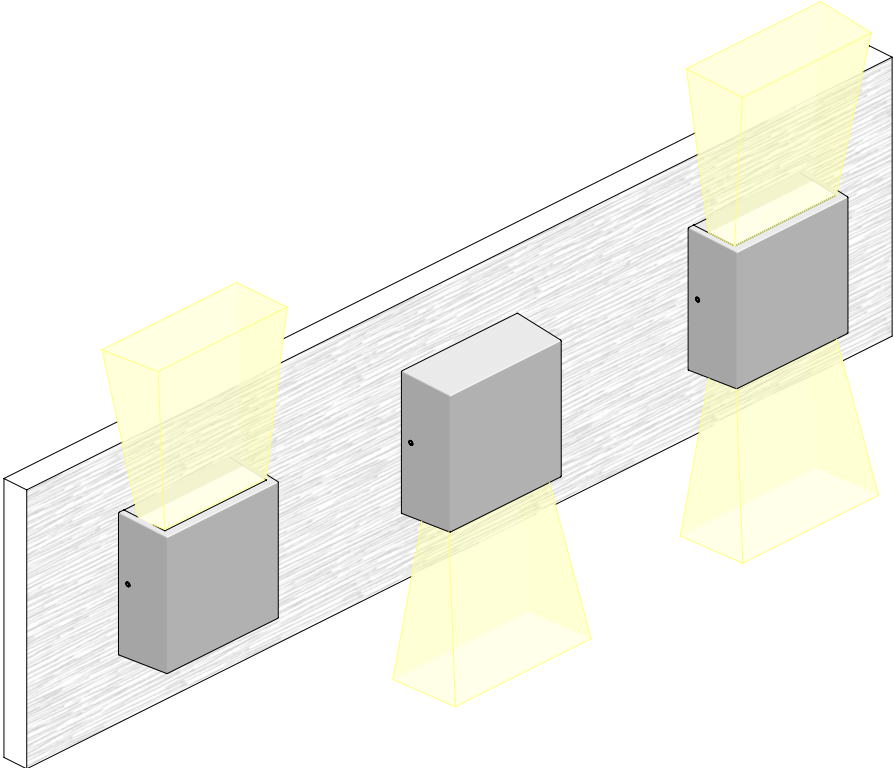
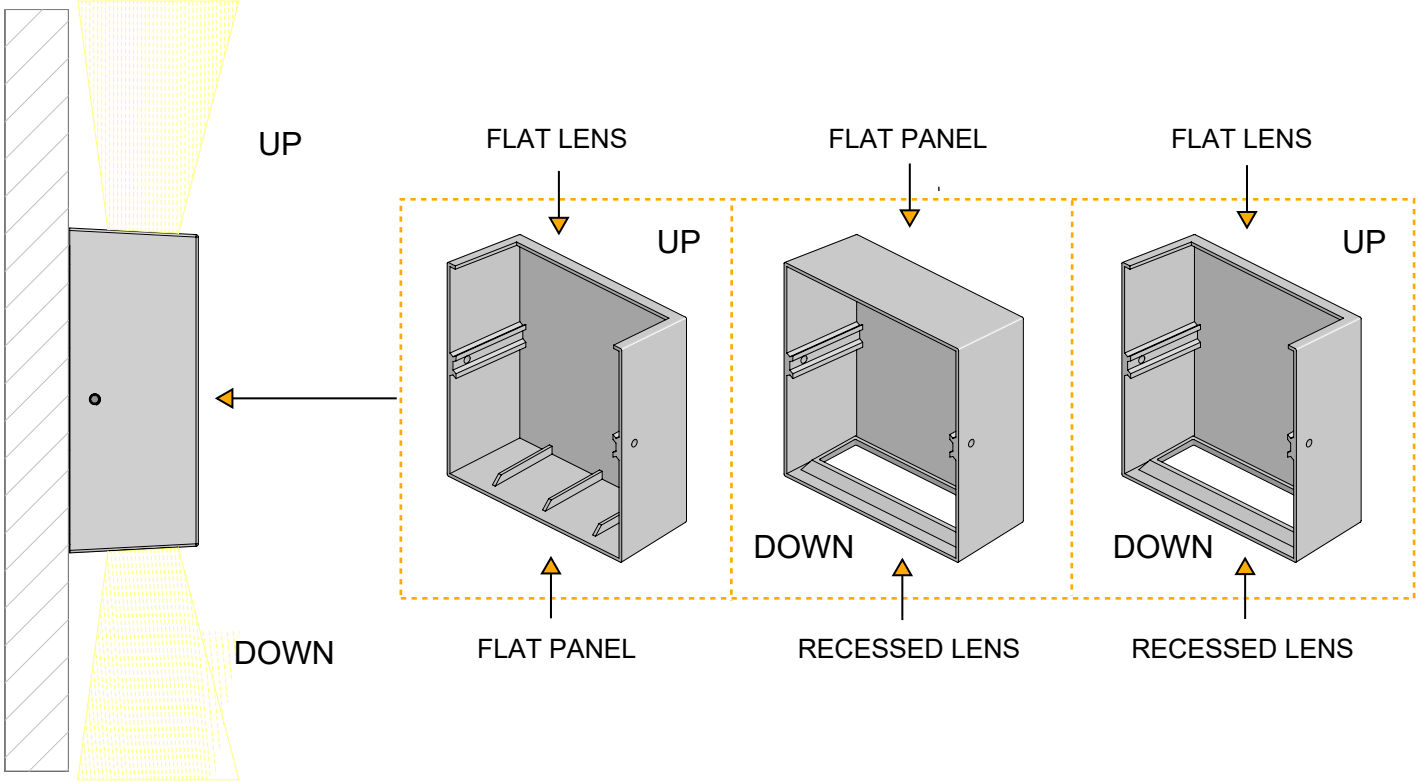


2.5 mm Allen key 1 ea.



Box 7"x 7"x 4" @1.43lbs

Distribution of Light

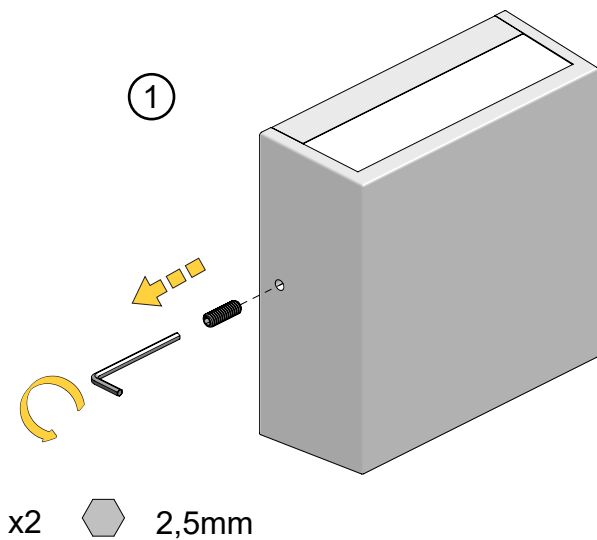


Fixture Installation

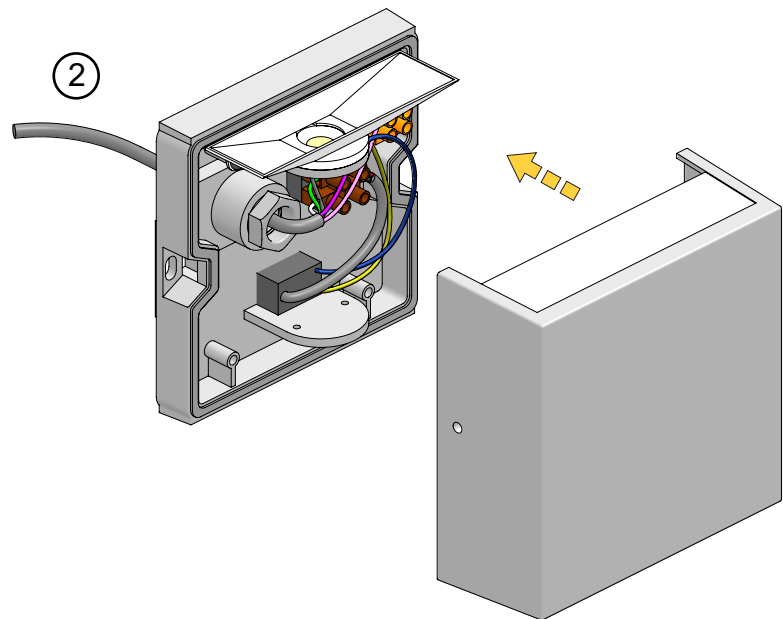
Prepare the LED fixture for Installation following these simple steps.

- The Mr. Smith LED wall mount fixture features a 1/2" waterproof plug in the back/right side with 7' 5-18 gauge lead cable. Note: The cable output is not connected to the center of the wall recessed J-Box.
- Using the 2.5mm Allen key (included) remove the 2 set screws on the sides of the fixture, then remove the face cover from the fixture and put it aside, the fixture's face cover will be the last part to be installed.

Remove the screws on the side of the fixture



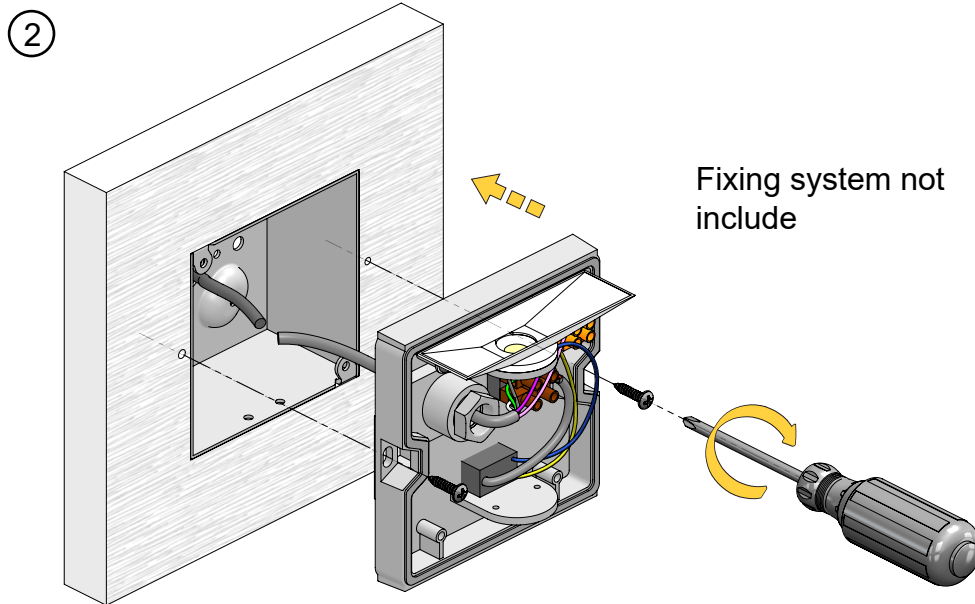
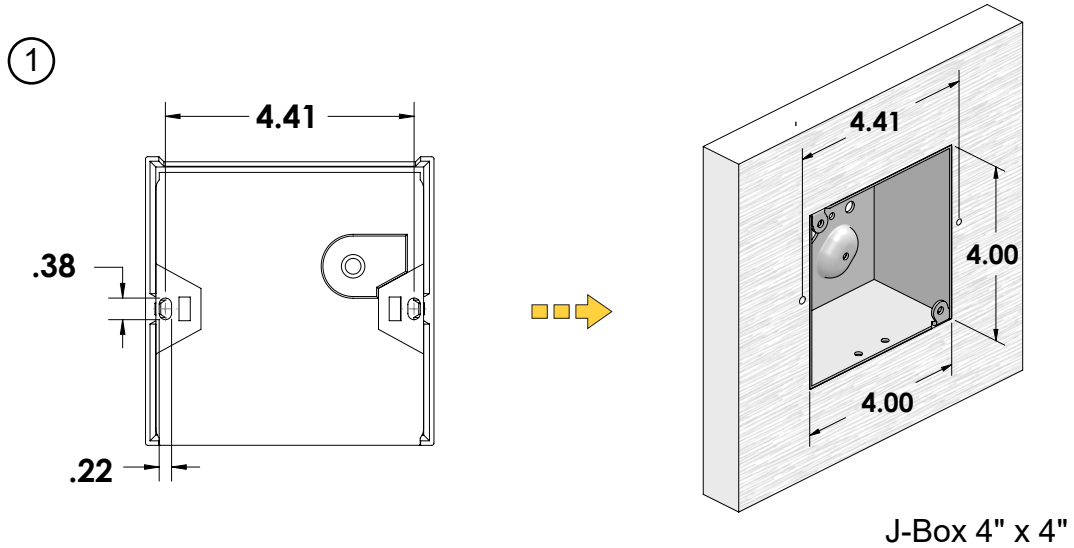
Remove the face cover and put it aside



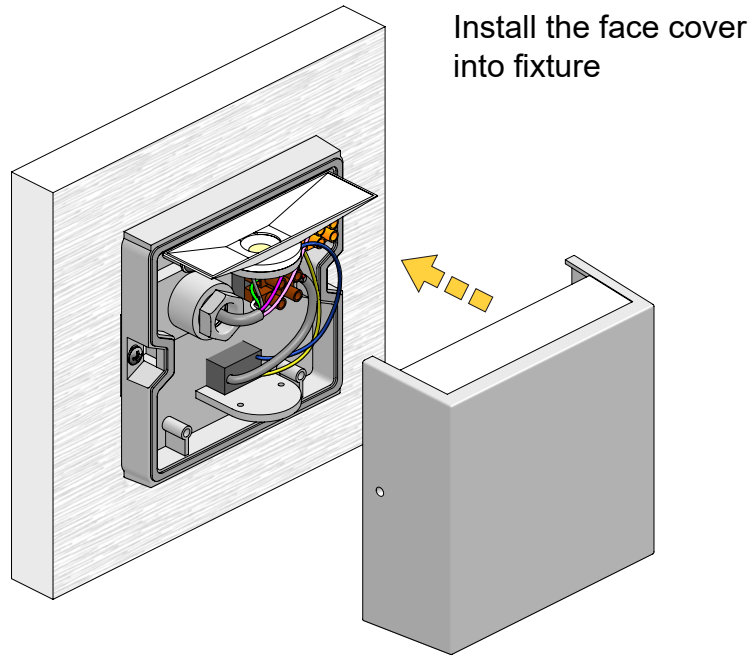
Fixture Installation Cont.

Recessed J-Box / Feed Position

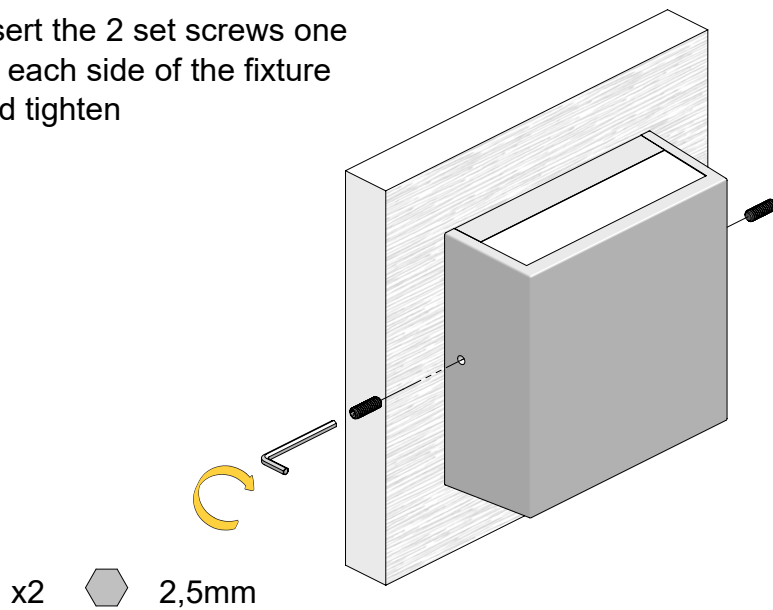
Install Led Fixture as Down or Up or Up/Down



Fixture Installation Cont.



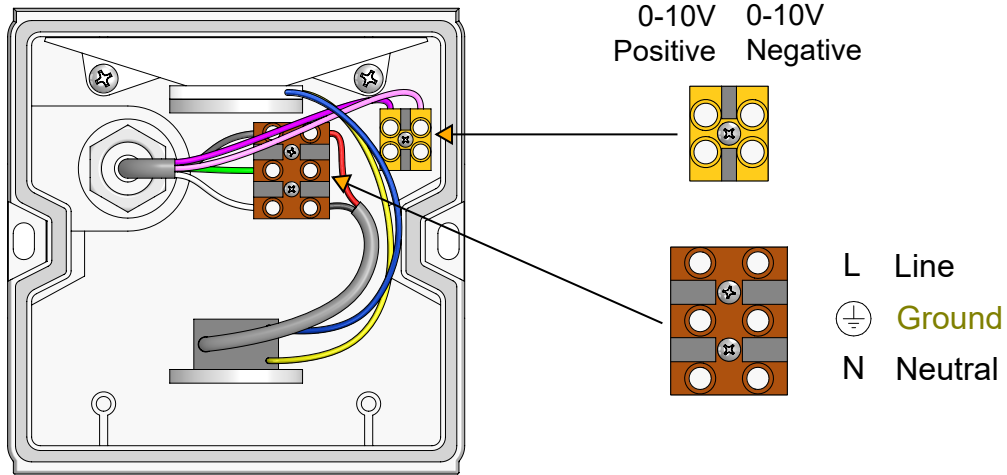
Insert the 2 set screws one on each side of the fixture and tighten



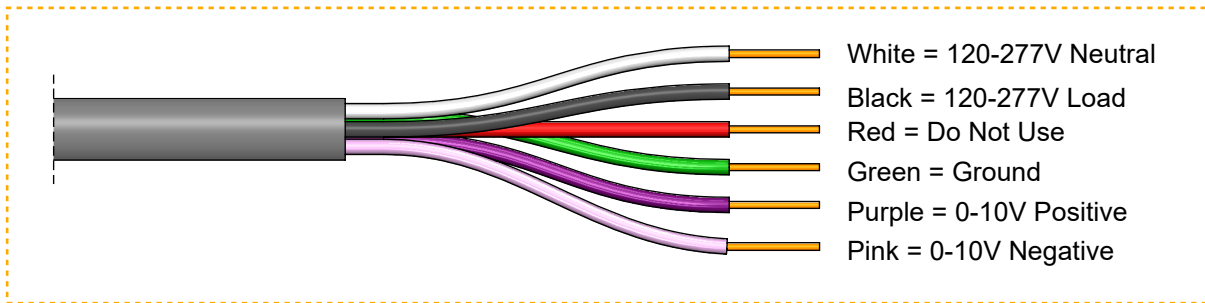
* Shown as UP only Position

Power Supply

120/277V AC 50/60Hz



Conductor Callout



Maintenance

This fixture was designed and manufactured for a durable, long lasting use with minimum care. To ensure the maximum lifespan of this product, we encourage our customers to provide a quality visual inspection of the fixture and installation accessories every six months.

If there are any visible signs of issues (i.e moisture or dust) during the inspection, please clean any of the dust or moisture with a soft cloth and check to make sure that any of the fixtures are still operating normally. If there are any issues regarding the fixture please contact us as we will assist the situation at hand.

Support

Any questions, problems, or comments you have please feel free to contact our Customer Service department during our business hours Monday-Friday 8am-5pm via: Email: usaorders@targetti.com
Phone: (714) 513-1991

Visit our website: <http://www.targettiusa.com>