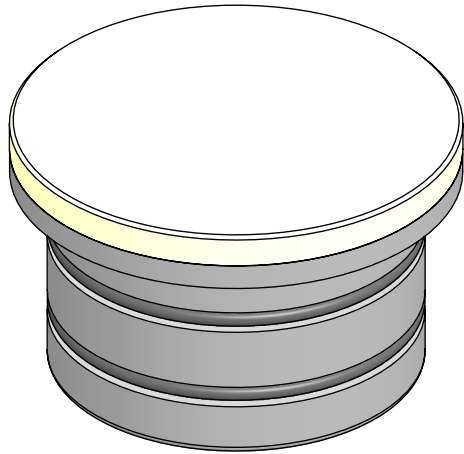




SATURN SATRP-

SMALL DIRECT VIEW LED MARKER LIGHT



WARNING

To ensure a maximum efficient use of the product, read the instructions before proceeding installment.



This fixture must be installed by a licensed and qualified electrician. The installer must comply with NEC and local building codes when installing the fixture.



Electrical current can cause painful shock, serious injury, or even death. Make sure you turn off the power supply, ground fixture(s), and make sure all electrical connections are correct and secured tightly.



For use in IP67 installations.

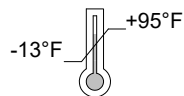


Keep the label of the original packaging if any eventual future claims are needed.

24V DC



IK 10
IP67



If in doubt about the symbols please refer to catalog or website

SATURN SATRP-

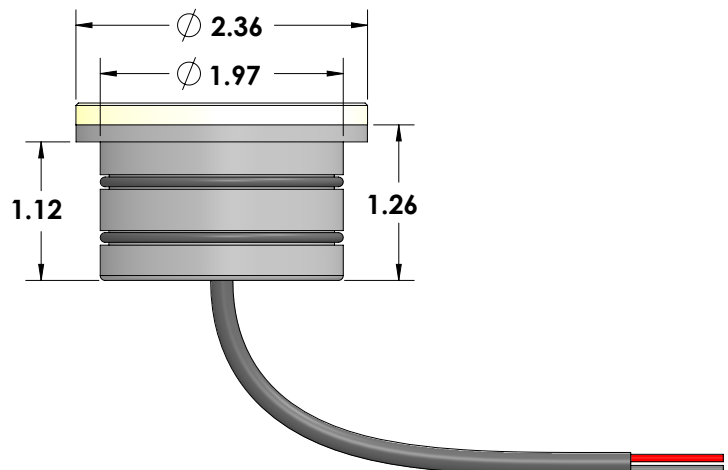
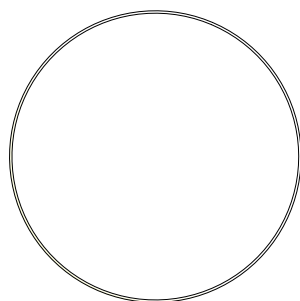
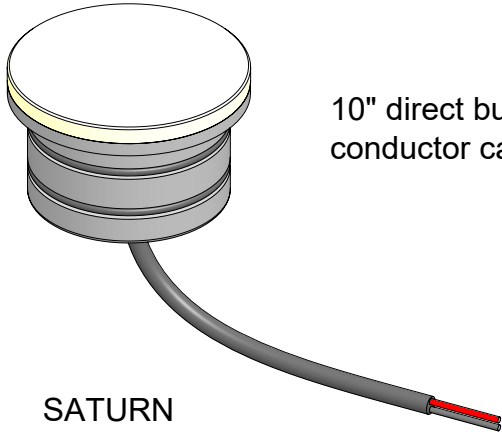


Table of Contents

Packaging Contents	Pg.2
Sleeve Installation (Required)	Pg.3
Installation Accessories (Optional)	Pg.4
Fixture Installation Instructions	Pg.5/7
Power Supply (Required)/Fixture Wiring Layout	Pg.8/9
Maintenance / Support	Pg.10

Packaging Contents



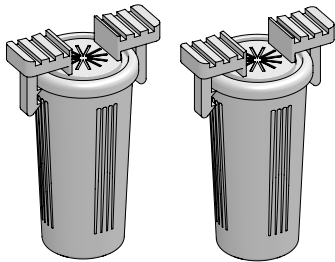
10" direct burial 18ga 2 conductor cable

**SATURN
SATRP-**

- Finish**
- Brushed Natural
 - Bronze PVD*
 - Black PVD*

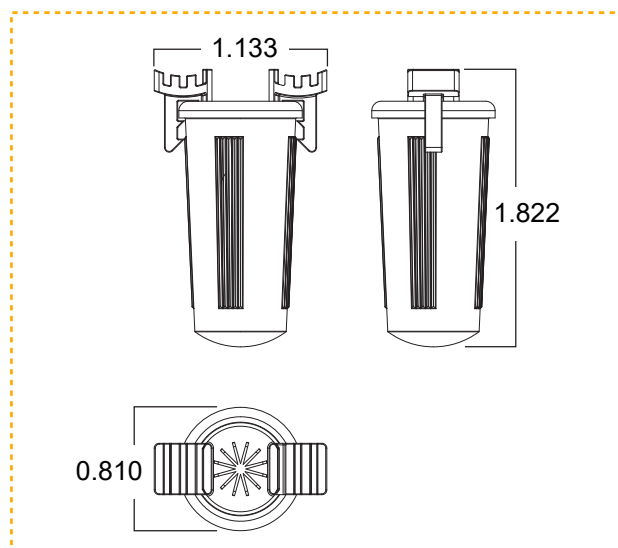


4"x 5"x 4" Box @0.35lbs



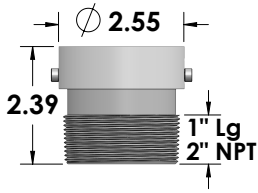
WIRE CONNECTOR - LV9000
2ea.

WIRE CONNECTOR DIMENSION



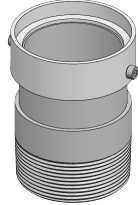
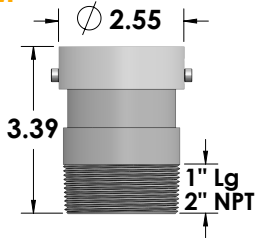
Sleeve Installation (Required)

1US3177S



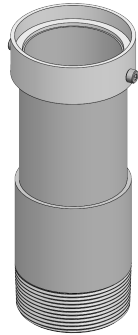
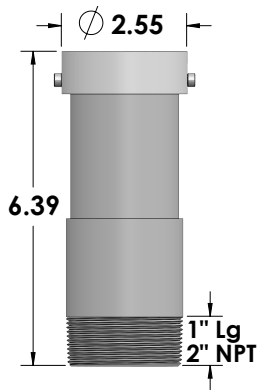
SATURN 2" installation sleeve. Tube with threaded bottom end for height adjustment up to 3/4" for precision mounting.

1US3177M



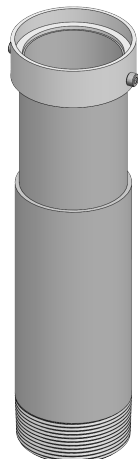
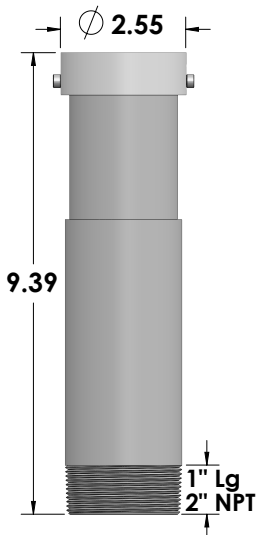
SATURN 3" installation sleeve. Tube with threaded bottom end for height adjustment up to 3/4" for precision mounting. 2" field cut allowance.

1US3177L



SATURN 6" installation sleeve. Tube with threaded bottom end for height adjustment up to 3/4" for precision mounting. Can be used with inground paver installation. 2" field cut allowance.

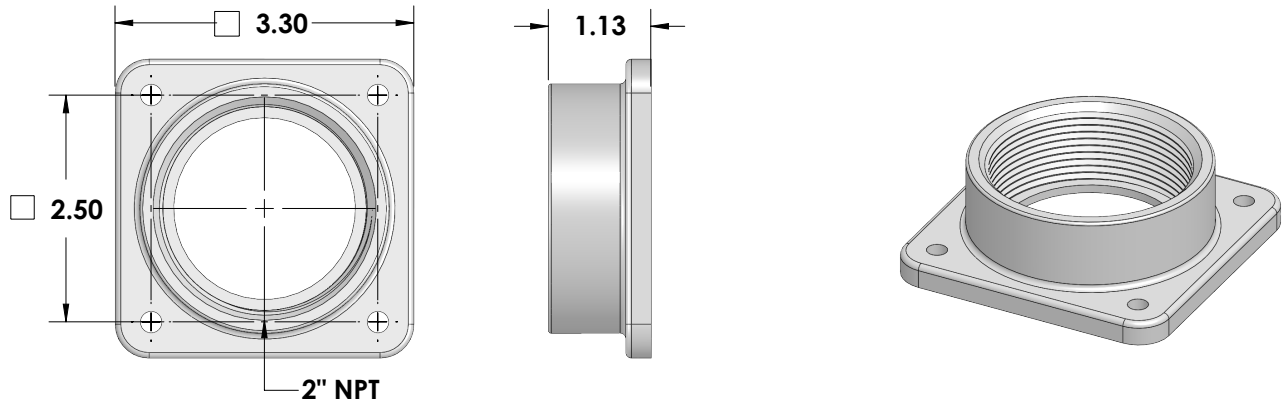
1US3177X



SATURN 9" installation sleeve. Tube with threaded bottom end for height adjustment up to 3/4" for precision mounting. Can be used with inground paver installation. 2" field cut allowance.

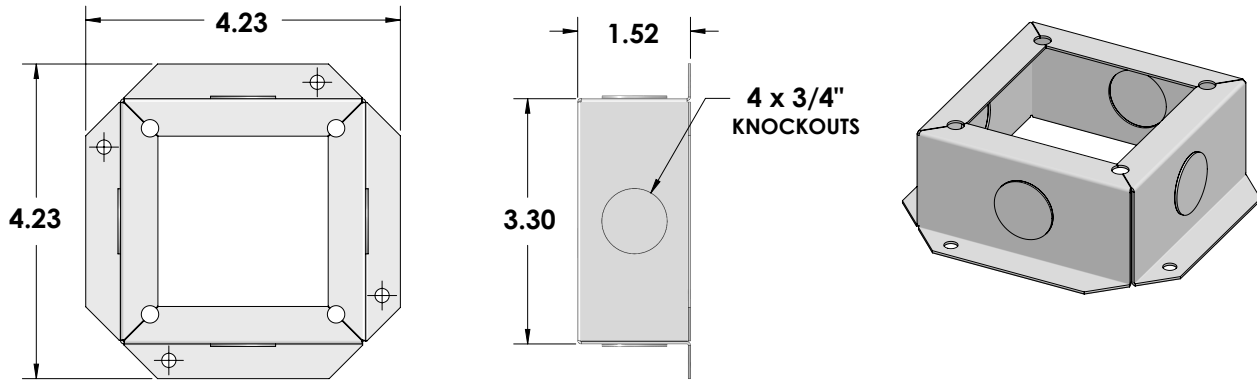
Installation Accessories (Optional)

TC100P



SATURN MINI HUB with 3/4" height adjustability for field leveling mounted on 3-3/4" square j-box cover. Optional for use of sleeve only.

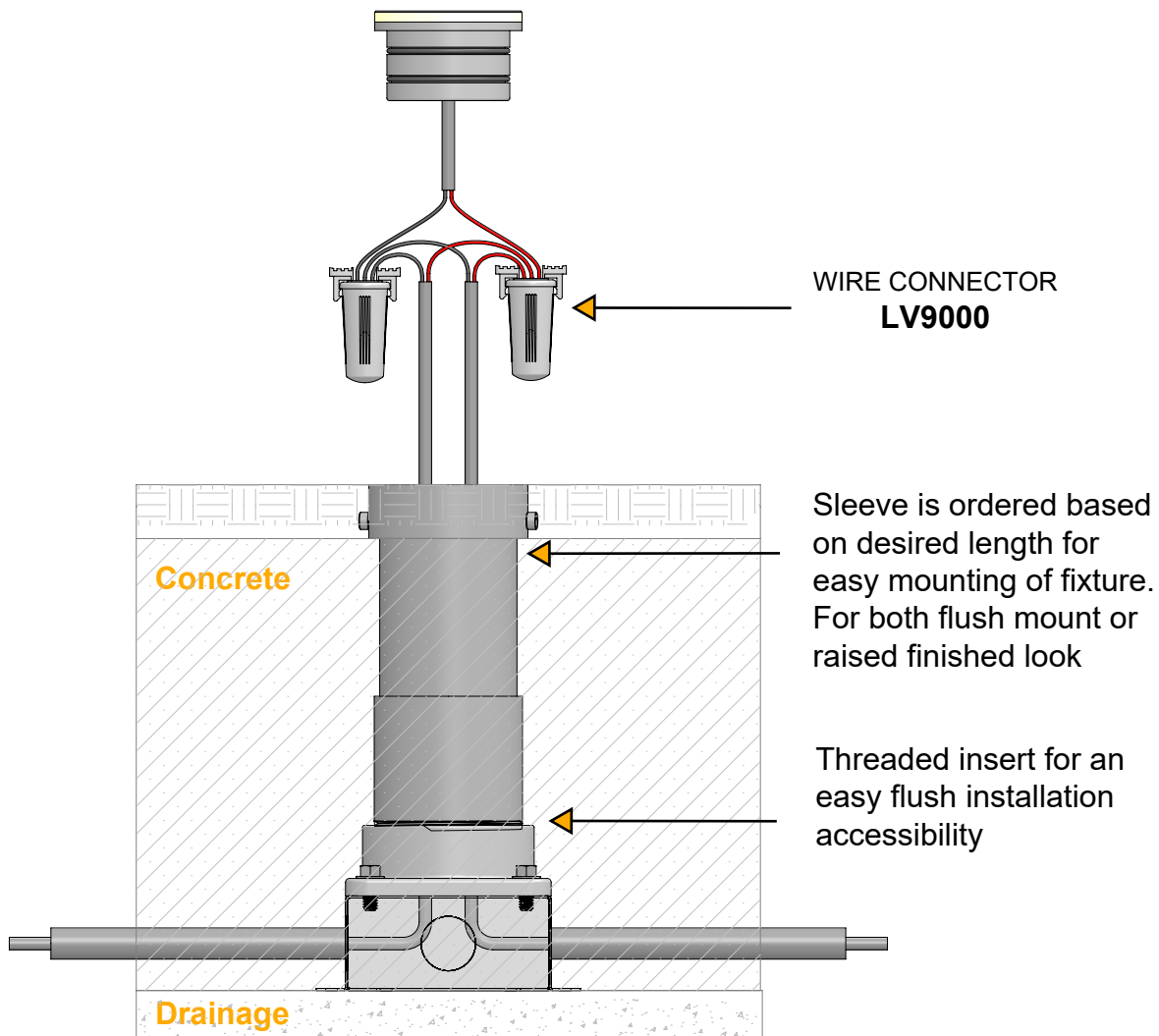
1US317BX



4.23" x 1.5" installation J-box. Stainless Steel with 4ea 3/4" knockouts. Optional for use with HUB only.

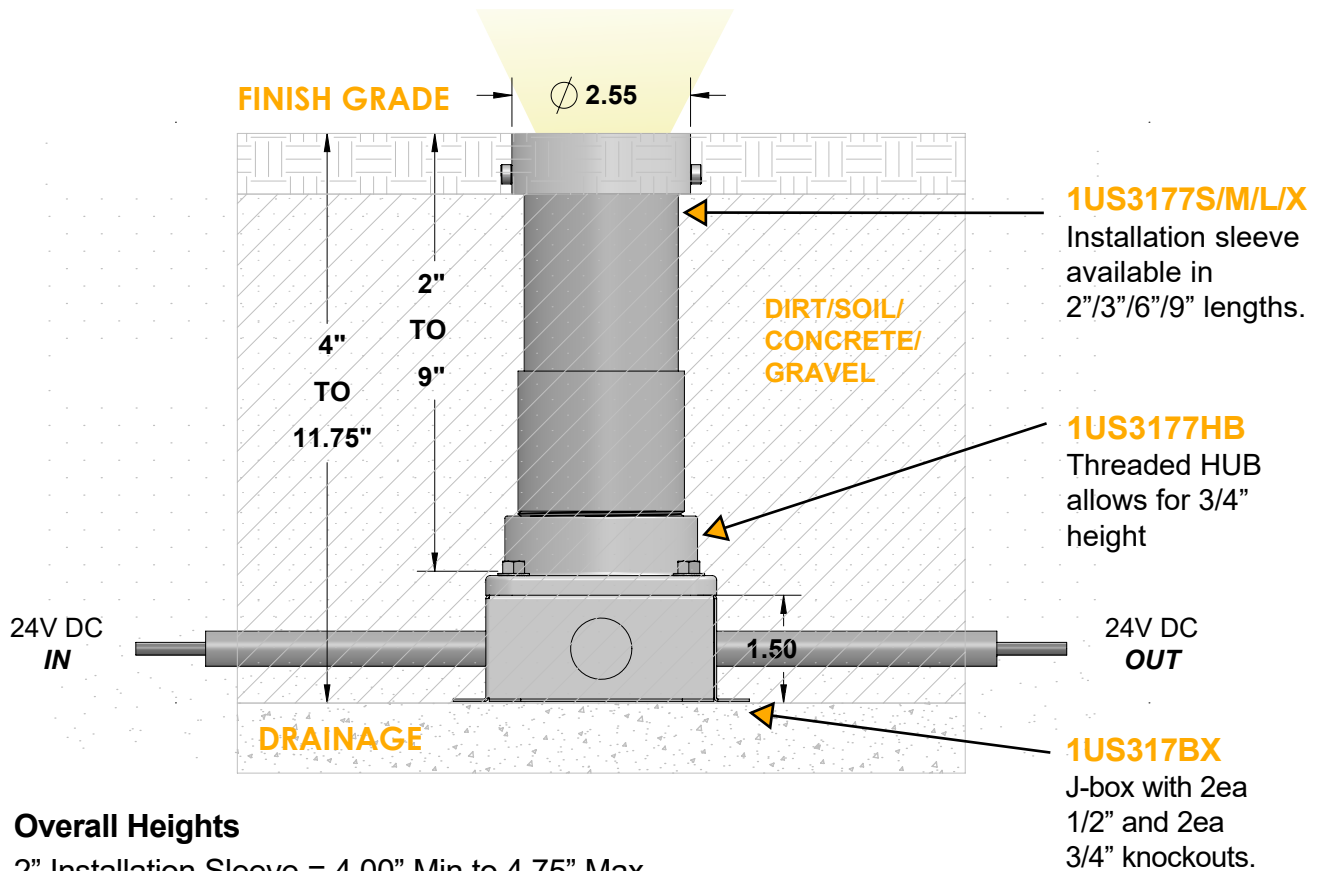
Fixture Installation Instructions

- 1) Installers will dig out trenches or holes big enough and prepare them for installation of the SATURN sleeve(s)
 - a) Add gravel in the trenches for proper drainage, then place the installation sleeve in designated area
 - b) Installer must make sure that the sleeve is leveled before placing the fixture inside. Be sure the direct burial cable which powers the fixture doesn't affect the leveling of the sleeve.
 - c) Depending on how the installer wants to wire the fixture(s), installer needs to run the 18/2 weatherproof direct burial cable connected from the driver to the sleeve with 2-3 inches of slack for accessibility of wire connection.
- 2) Once cable is through the sleeve, installer will connect the direct burial cable with the fixture using **LV9000** - Wire Connector.
 - a) Installer will connect the direct burial cable with the fixture's cable using LV950 - Wire Connector provided with the fixture. Double check connections and wire's polarities to ensure correct powering of fixture before adding the heat-shrink tubing. **FIXTURE IS POWERED WITH 24VDC LOW VOLTAGE, DO NOT CONNECT FIXTURE TO LINE VOLTAGE. AN IMPROPER CONNECTION WILL CAUSE THE FIXTURE TO GET DAMAGED AND WILL VOID IT'S WARRANTY .**
- 3) Once the fixture is properly connected, insert fixture inside the sleeve.



Installation Diagrams

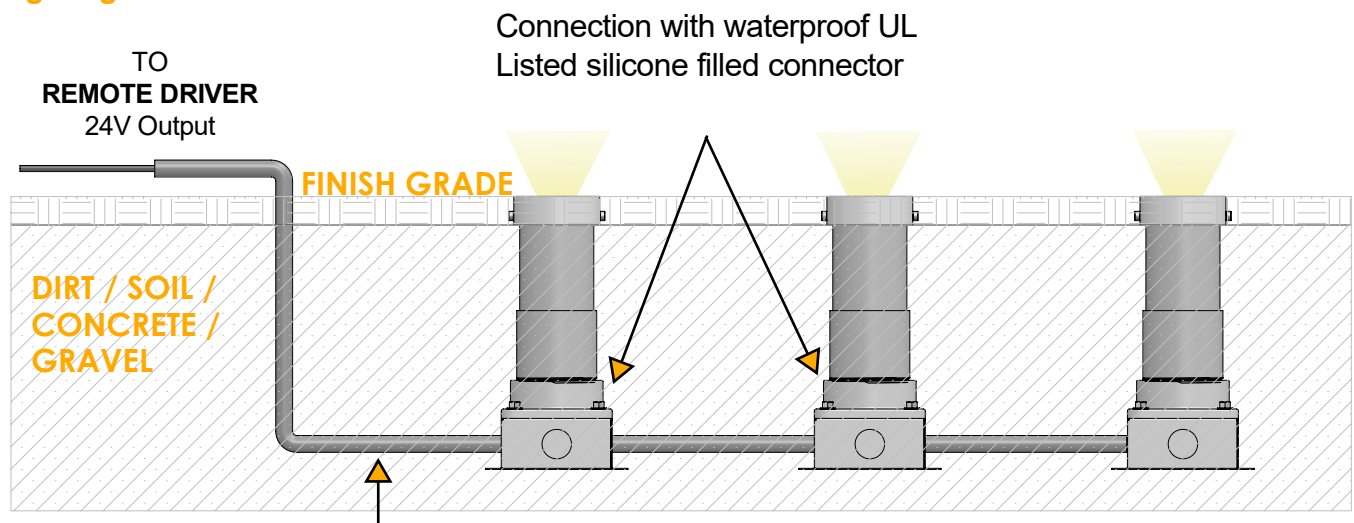
In-Ground Mounting



Overall Heights

- 2" Installation Sleeve = 4.00" Min to 4.75" Max
- 3" Installation Sleeve = 5.00" Min to 5.75" Max
- 6" Installation Sleeve = 8.00" Min to 8.75" Max
- 9" Installation Sleeve = 11.00" Min to 11.75" Max

Wiring Diagram

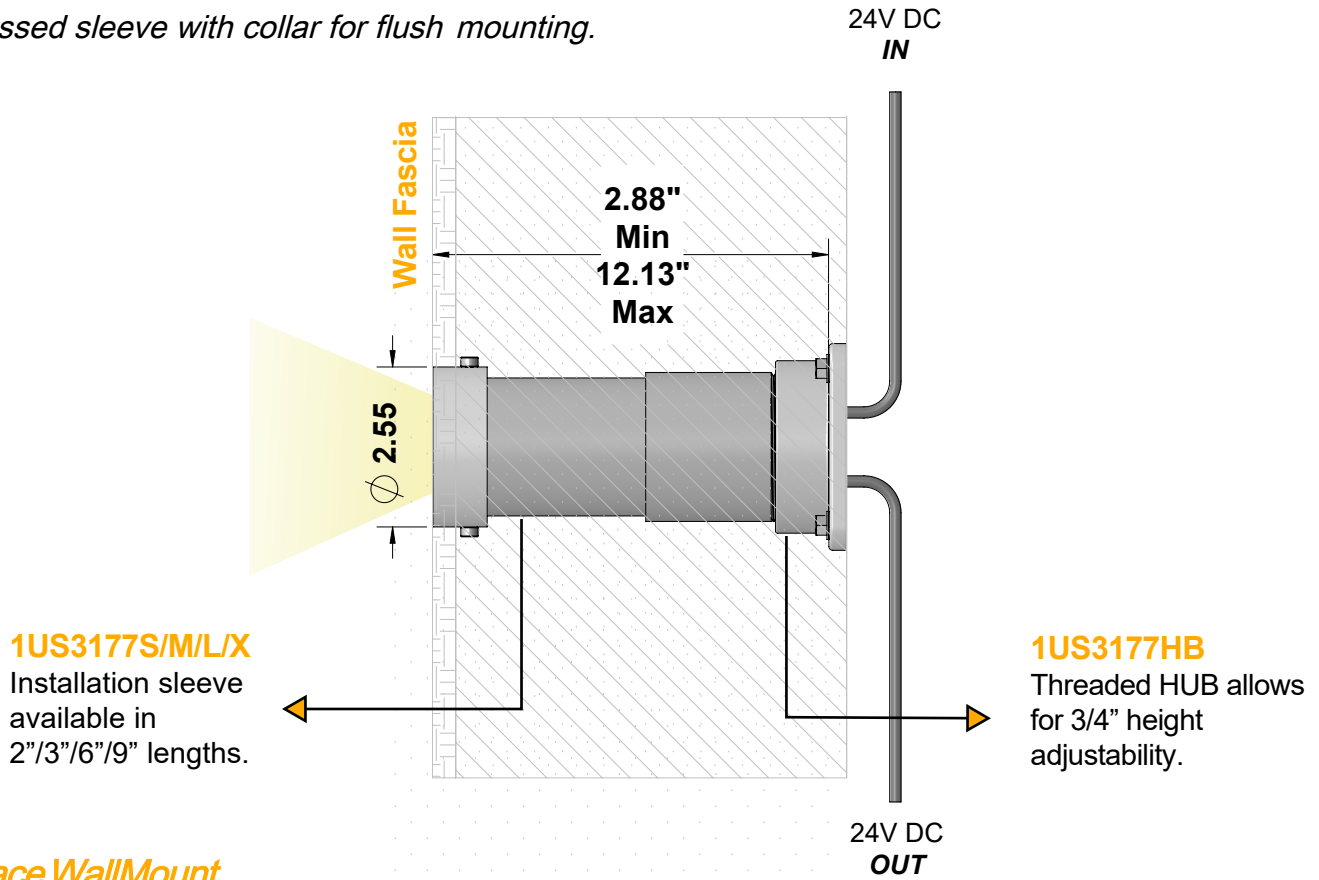


Up to 80 feet with
12g 2 Conductor Cable

Installation Diagrams Cont.

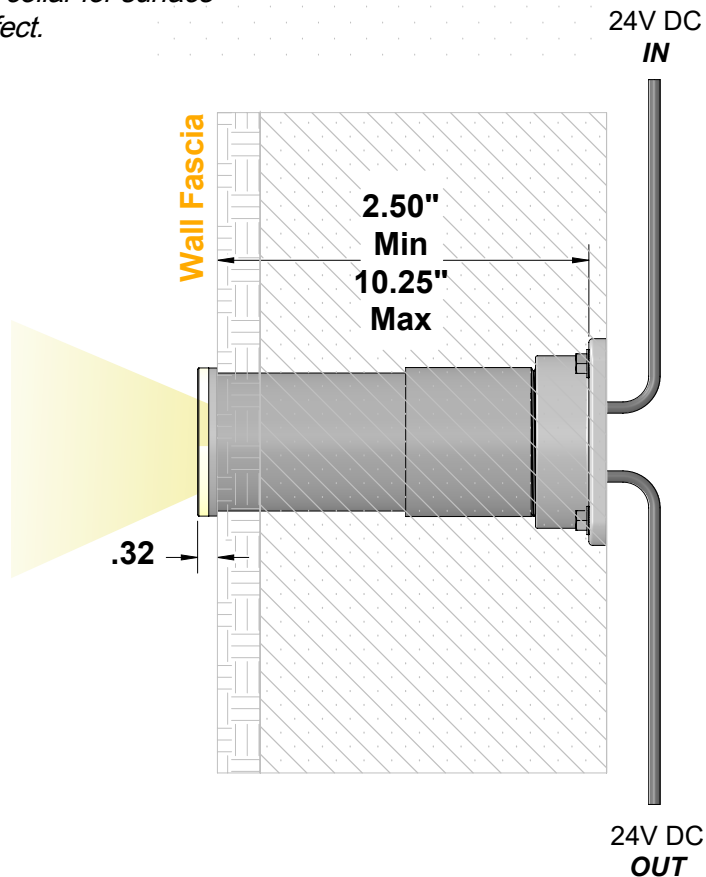
Flush Wall Mount

Recessed sleeve with collar for flush mounting.



Surface Wall Mount

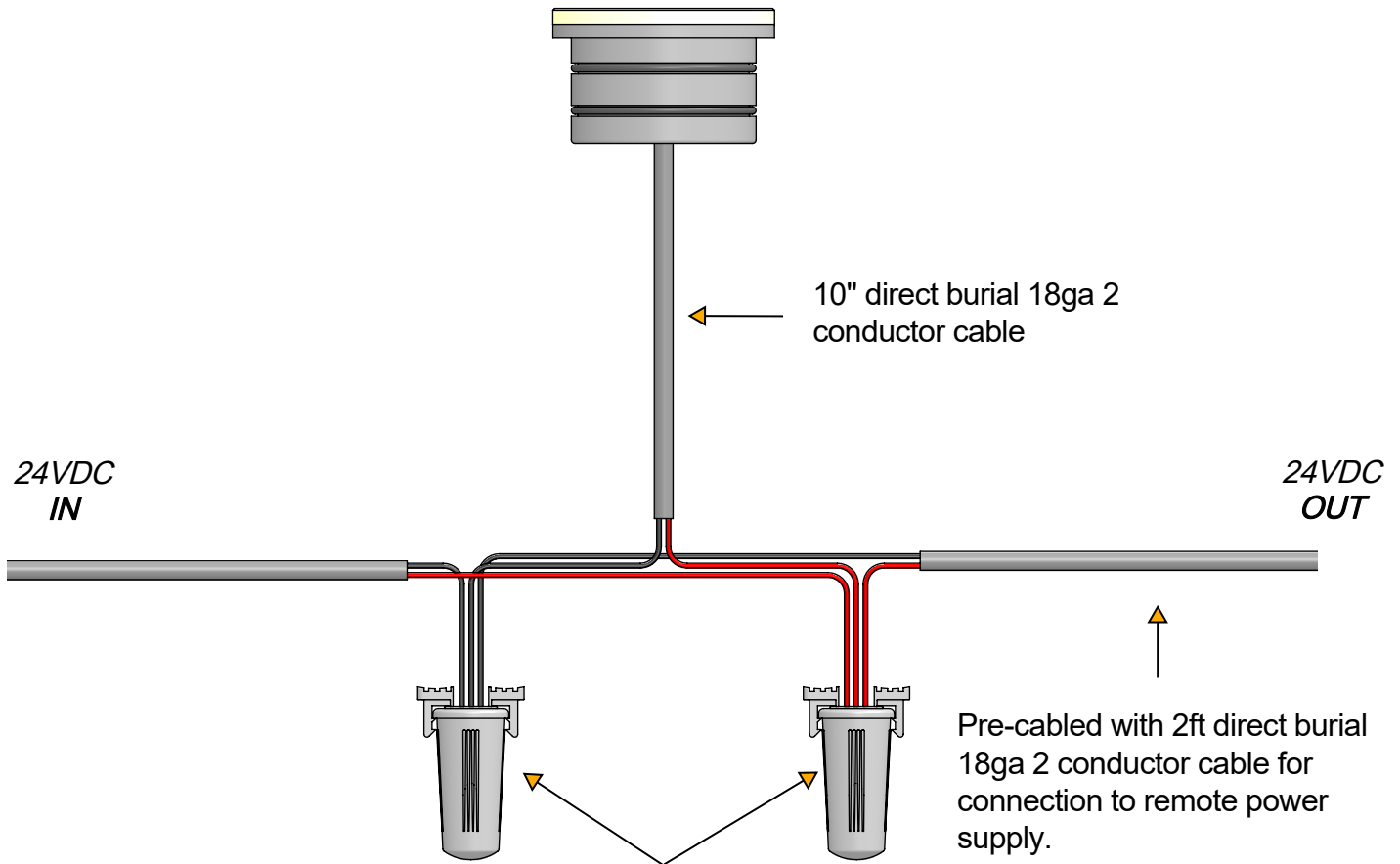
Recessed sleeve without collar for surface mount with outer glow effect.



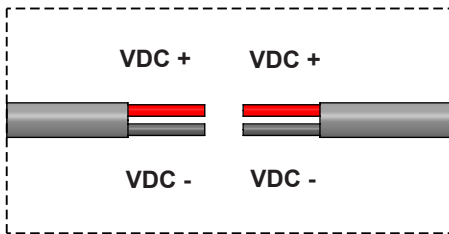
Fixture Wiring Layout

Installer will wire the Saturn fixture(s) with the daisy chain connection as shown in the diagram below. Be sure that the wiring is done by a qualified electrician that complies with NEC and local building code when installing this product. Provided cable for the fixtures must be UL listed, direct burial, and weatherproof and properly sized based on the amount of fixtures, lengths of wiring, and compliance of NEC regulations.

Use proper UL listed waterproof wire connectors depending on conductor size.



Wire connector (included with fixture)



Power Supply (Required)

ENCLOSURE								
Part No.	Wattage	Control	Dim Range	Rating	In / Out Voltage	Certification	Dimensions (Enclosure)	Description
DMLE301242UD	30W	MLV / ELV / 0-10V / TRIAC	MLV / ELV <10% 0-10V 1%	NEMA3R	120-277V / 24V	UL Class 2	4.47" X 6.79" X 1.38"	EMCOD electronic driver with wiring compartment.
DELV30124DJBX	30W	0-10V	0.1%	IP65	120-277V / 24V	UL Class 2	12.1" X 2.4" X 1.4"	Magnitude SOLIDrive electronic driver with built in junction box.
DMLE601242UD	60W	MLV / ELV / 0-10V / TRIAC	MLV / ELV <10% 0-10V 1%	NEMA3R	120-277V / 24V	UL Class 2	4.47" X 6.79" X 1.38"	EMCOD electronic driver with wiring compartment.
DELV60124DJBX	60W	0-10V	0.1%	IP65	120-277V / 24V	UL Class 2	12.1" X 2.4" X 1.4"	Magnitude SOLIDrive electronic driver with built in junction box.
DELX601241CPWM	60W	0-10V	1%	NEMA3R	120-277V / 24V	UL Class 2	10" x 10" x 4"	MEANWELL electronic PWM driver.
DELX901241CPWM	90W	0-10V	1%	NEMA3R	120-277V / 24V	UL Class 2	10" x 10" x 4"	MEANWELL electronic PWM driver.
DMLE961242UD	96W	MLV / ELV / 0-10V / TRIAC	MLV / ELV <10% 0-10V 1%	NEMA3R	120-277V / 24V	UL Class 2	5.16" X 7.73" X 1.54	EMCOD electronic driver with wiring compartment.
DELV96124DJBX	96W	0-10V	0.1%	IP65	120-277V / 24V	UL Class 2	12.1" X 2.4" X 1.4"	Magnitude SOLIDrive electronic driver with built in junction box.
DEDDX100241CDMX	100W	DMX 1Ch Group Control	0%	NEMA3R	120-277V / 24V	UR Class 2	12" x 12" x 4"	EldoLED LINEARdrive electronic driver.
DELX1802242CPWM	2X90W	0-10V	1%	NEMA3R	120-277V / 24V	UL Class 2	12" x 12" x 4"	MEANWELL electronic PWM driver.
DMLE1922242UD	2X96W	MLV / ELV / 0-10V / TRIAC	MLV / ELV <10% 0-10V 1%	NEMA3R	120-277V / 24V	UL Class 2	5.04" X 10.94" X 1.81	EMCOD electronic driver with wiring compartment.
DEDDX200241CDMX	2X100W	DMX 1Ch Group Control	0%	NEMA3R	120-277V / 24V	UL Class 2	12" x 12" x 4"	EldoLED LINEARdrive electronic driver.
DELI2703243CPWM	3X90W	0-10V	1%	NEMA1	120-277V / 24V	UL Class 2	12" x 12" x 4"	MEANWELL electronic PWM driver.
DMLE2882242UD	3X96W	MLV / ELV / 0-10V / TRIAC	MLV / ELV <10% 0-10V 1%	NEMA3R	120-277V / 24V	UL Class 2	5.04" X 10.94" X 1.81	EMCOD electronic driver with wiring compartment.

STAND ALONE								
Part No.	Wattage	Control	Dim Range	Rating	In / Out Voltage	Certification	Dimensions (Standalone)	Description
DELV30124D	30W	0-10V	0.1%	IP65	120-277V / 24V	UR Class 2	7.5" X 2.4" X 1.4"	Magnitude SOLIDrive electronic standalone driver. UL listed enclosure provided by others.
DEL60PWM	60W	0-10V	1%	IP67	120-277V / 24V	UL Class 2	5.9" X 2.09" X 1.38"	MEANWELL electronic PWM driver. UL listed enclosure provided by others.
DELV60124D	60W	0-10V	0.1%	IP65	120-277V / 24V	UR Class 2	7.5" X 2.4" X 1.4"	Magnitude SOLIDrive electronic standalone driver. UL listed enclosure provided by others.
DEL90PWM	90W	0-10V	1%	IP67	120-277V / 24V	UL Class 2	6.73" X 2.48" X 1.48"	MEANWELL electronic PWM driver. UL listed enclosure provided by others.
DELV96124D	96W	0-10V	0.1%	IP65	120-277V / 24V	UR Class 2	7.5" X 2.4" X 1.4"	Magnitude SOLIDrive electronic standalone driver. UL listed enclosure provided by others.

MAX FIXTURES PER DRIVER

Fixture Wattage	Driver Wattage									
	30W	60W	90W	96W	100W	2X90W	2X96W	2x100W	3X90W	3X96W
4W	6	12	18	19	20	18+18	19+19	20+20	18+18+18	19+19+19

Maintenance

This fixture was designed and manufactured for a durable, long lasting use with minimum care. To ensure the maximum lifespan of this product, we encourage our customer to provide a quality visual inspection of the fixture and installation accessories every six months.

If there are any visible sign of issues (i.e moisture or dust) during the inspection, please clean any of the dust or moisture with a soft cloth and check to make sure that any of the fixtures are still operating normally. If there are any issues regarding the fixture please contact us as we will assist the situation at hand.

Support

Any questions, problems, or comments you have please feel free to contact our Customer Service department during our business hours Monday-Friday

8am-5pm via: Email: usaorders@targetti.com

Phone: (714) 513-1991

Visit our website: <http://www.targettiusa.com>