

DURA

LAMP

INSTALLATION INSTRUCTIONS

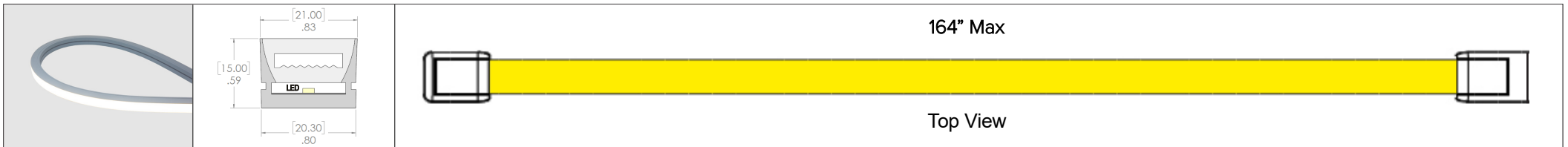
DURAFLEX HIVOLT - LUMA TOP
IP65 Indoor & Outdoor 120V AC

CODE: DFHVTB-

Lind Voltage Flexible Linear for Continuous Illumination

120V AC	Ra>92	50000h Life spam	IP65
------------	-------	---------------------	------

****USE PROPER UL LISTED CONNECTORS
DEPENDING ON THE ENVIROMENT****



IMPORTANT SAFETY INSTRUCTIONS

To ensure a maximum efficiency of the product, read the instructions before proceeding to installation



This fixture must be installed by a qualified electrician. Duralamp IS NOT responsible if its fixtures are not installed according to NEC and local building codes



Electrical current can cause painful shock, serious injury, or even death. Make sure you turn off the power supply, ground fixture(s), and make sure all electrical connections are correct and secured tightly

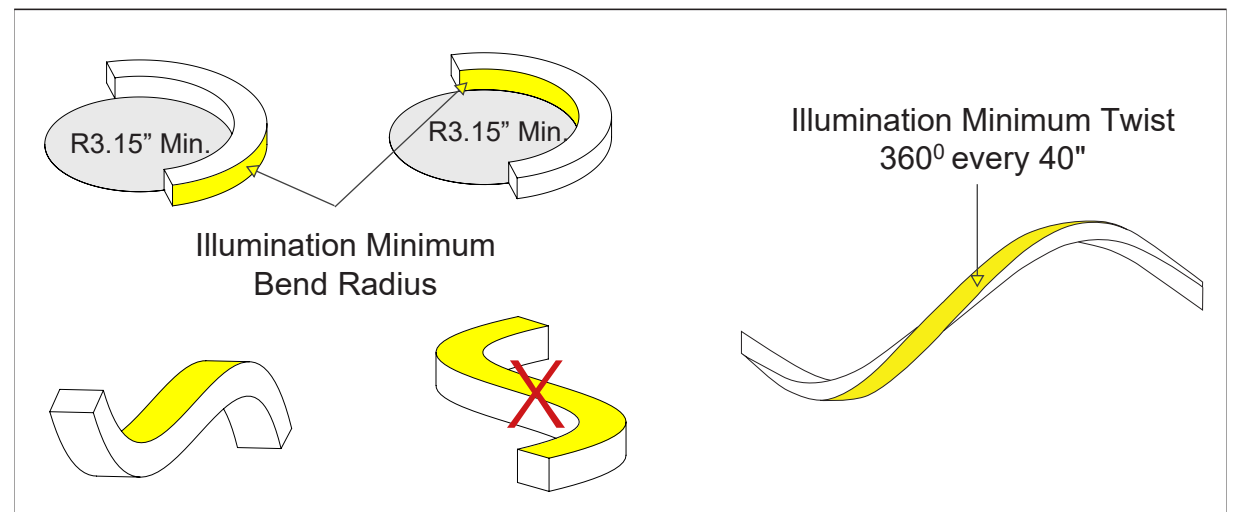


Please leave a copy of this instructions to the person in charge of installation and maintenance.



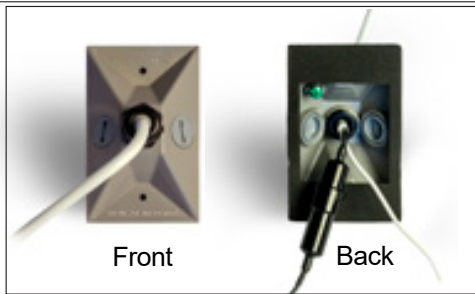
Manufacturer cut increments 4.00"

NOT FIELD CUTTABLE



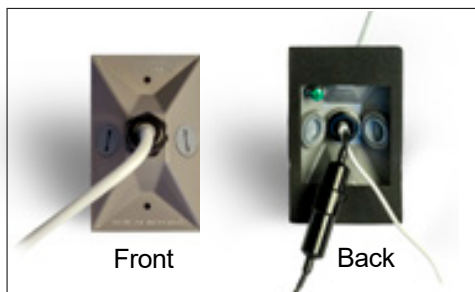
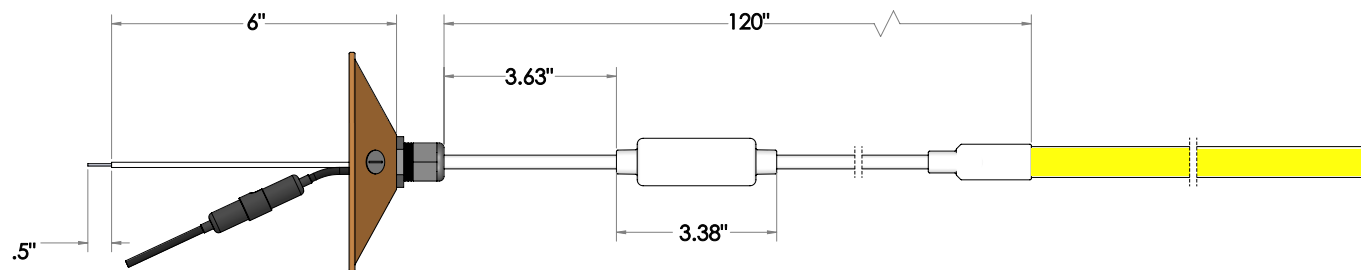
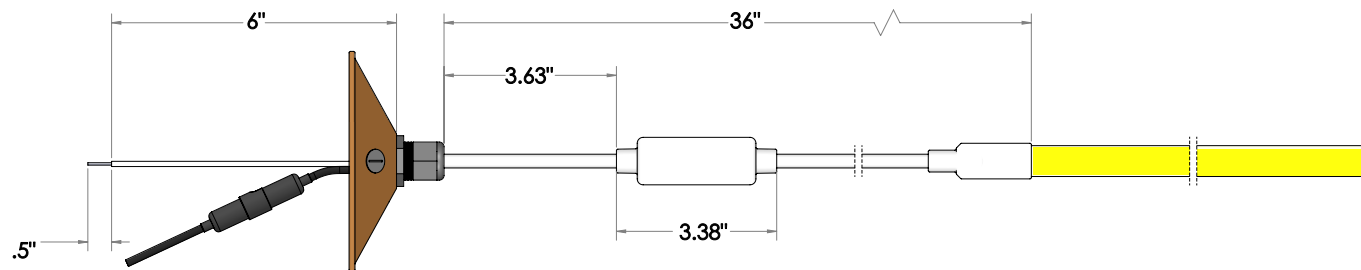
If in doubt about the symbols please refer to catalog or website

OPTIONS (REQUIRED)



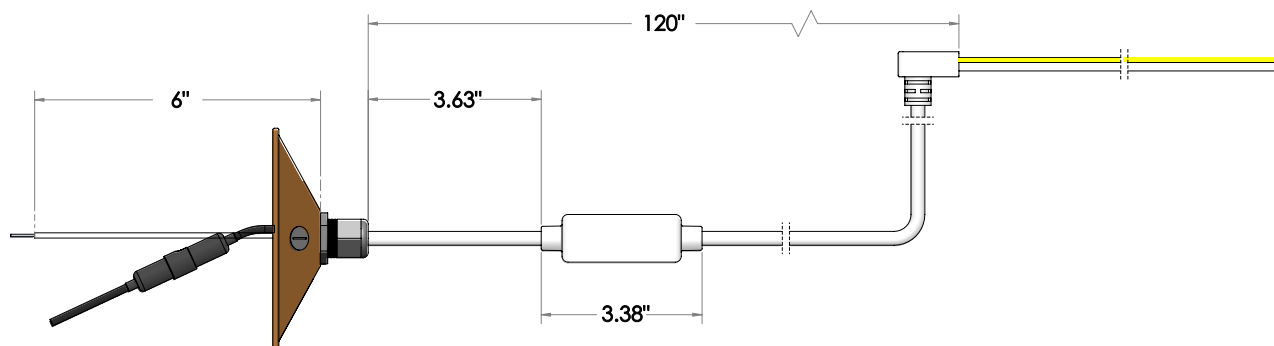
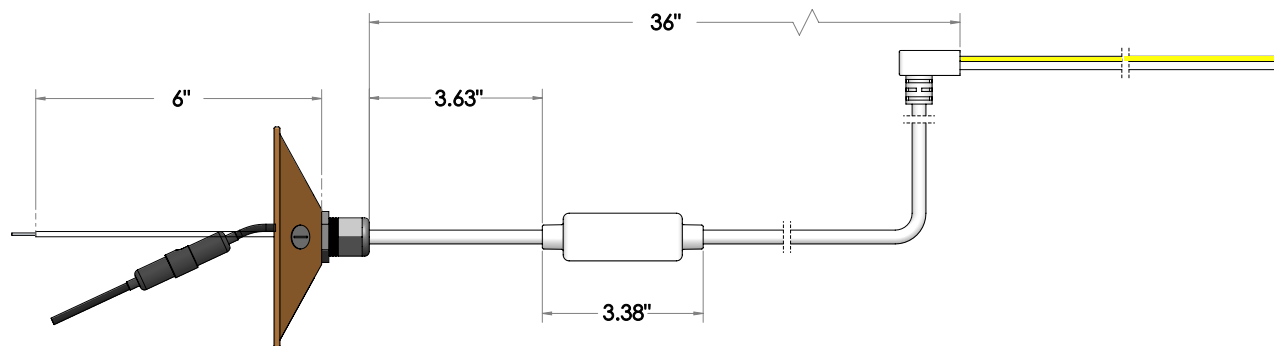
DURAFLEX HIVOLT TOP exterior junction box cover straight feed for UL1598 permanent installations. Factory attached transparent PVC end prep with white 60"L lead wire and single gang IP65 outdoor junction box cover and secondary thermal breaker. Completed with translucent silicone factory attached end cap.

<i>Lead</i>	36" Lg	120" Lg
<i>Part No.</i>	DF120TS-JCVR6503	DF120TS-JCVR6510

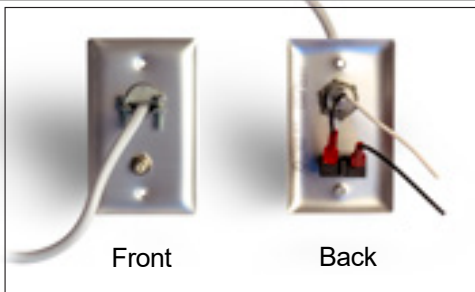


DURAFLEX HIVOLT TOP exterior junction box cover bottom feed for UL1598 permanent installations. Factory attached transparent PVC end prep with white 60"L lead wire and single gang IP65 outdoor junction box cover and secondary thermal breaker. Completed with translucent silicone factory attached end cap.

<i>Lead</i>	36" Lg	120" Lg
<i>Part No.</i>	DF120TB-JCVR6503	DF120TB-JCVR6510

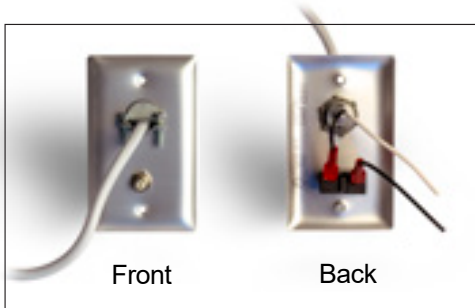
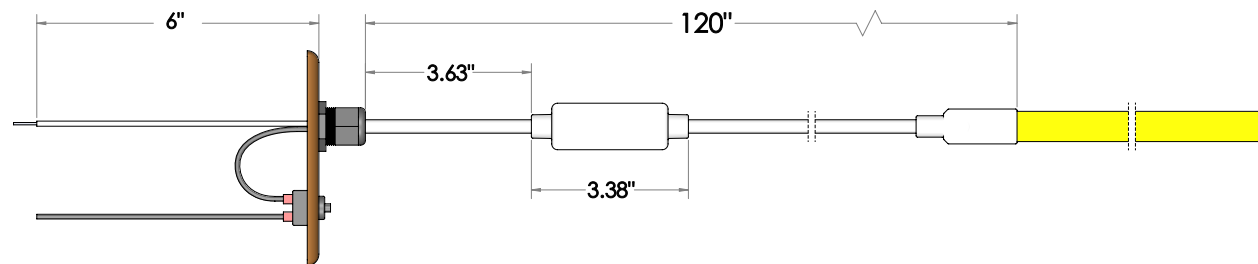
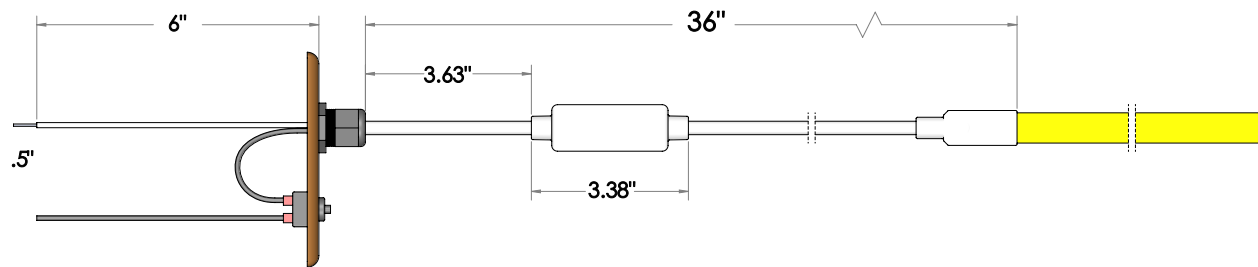


OPTIONS (REQUIRED)



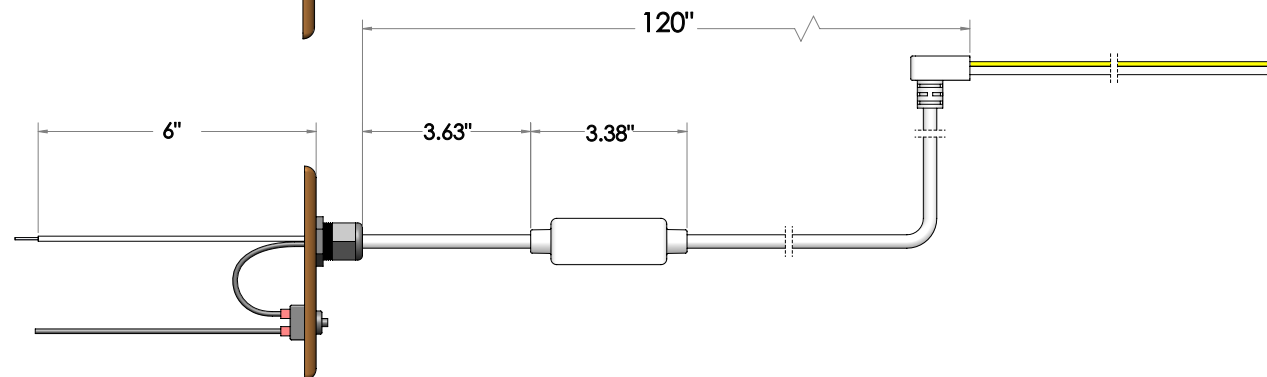
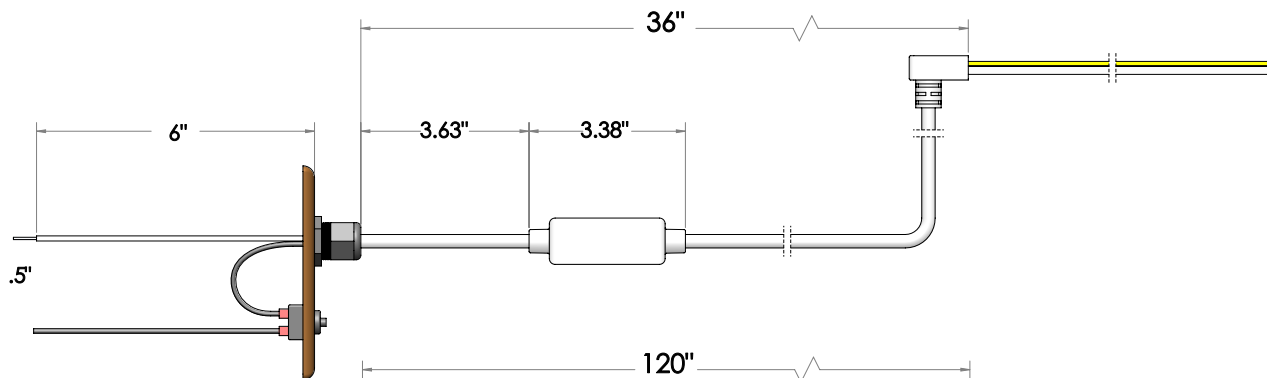
DURAFLEX HIVOLT TOP interior junction box cover straight feed for UL1598 permanent Installations. Factory attached transparent PVC end prep with white 60"L lead wire and single gang IP20 junction box cover and secondary thermal breaker. Completed with translucent silicone factory attached end cap.

<i>Lead</i>	36" Lg	120" Lg
<i>Part No.</i>	DF120TS-JCVR2003	DF120TS-JCVR2010

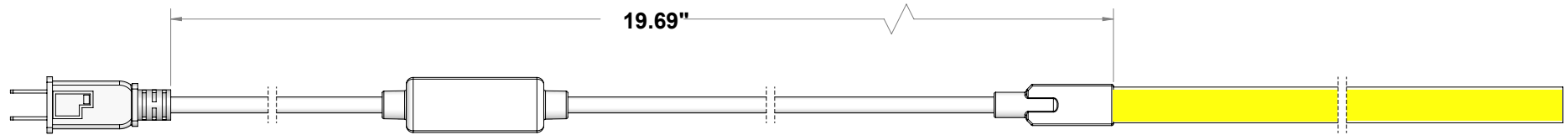


DURAFLEX HIVOLT TOP interior junction box cover bottom feed for UL1598 permanent Installations. Factory attached transparent PVC end prep with white 60"L lead wire and single gang IP20 junction box cover and secondary thermal breaker. Completed with translucent silicone factory attached end cap.

<i>Lead</i>	36" Lg	120" Lg
<i>Part No.</i>	DF120TB-JCVR2003	DF120TB-JCVR2010



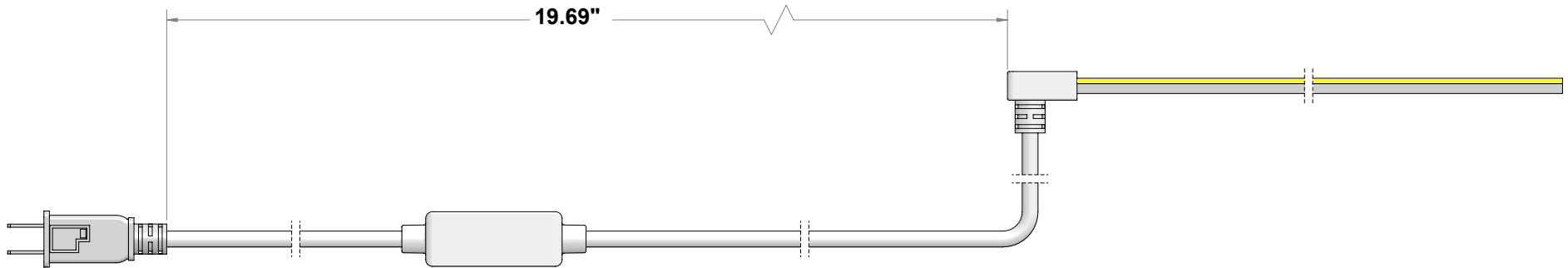
OPTIONS (REQUIRED)



DURAFLEX HIVOLT TOP plug straight end feed.
Factory attached transparent PVC end prep with white
60"L lead wire and 2 prong plug connection. Completed
with translucent silicone factory attached end cap.

Length (L) 19.69" Lg

Part No. **DF120SS-ACS**



DURAFLEX HIVOLT TOP plug bottom end feed.
Factory attached transparent PVC end prep with white
60"L lead wire and 2 prong plug connection. Completed
with translucent silicone factory attached end cap.

Length (L) 19.69" Lg

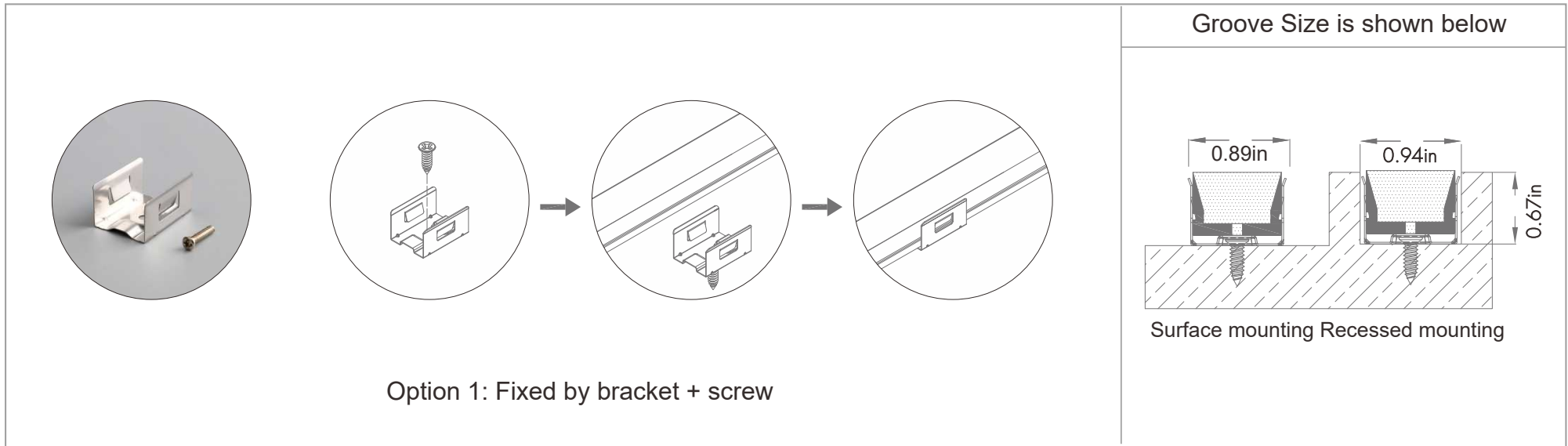
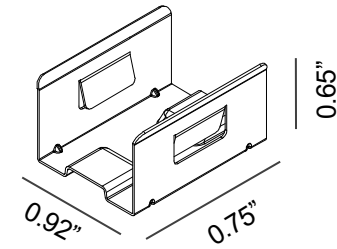
Part No. **DF120SB-ACS**

REQUIRED END PREPS



DURAFLEX HIVOLT TOP bottom fixing clips, stainless steel. Includes 2ea clips and 2ea screws.

Part No. **KT14HVUTC1**

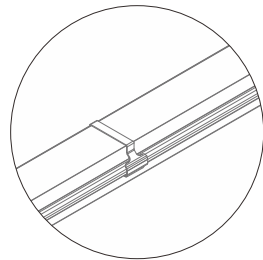
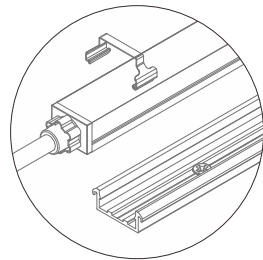
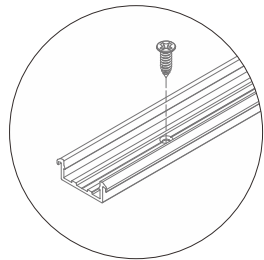
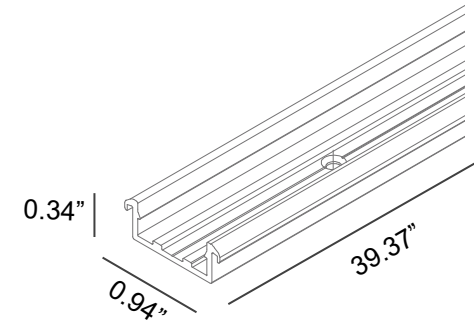


REQUIRED END PREPS



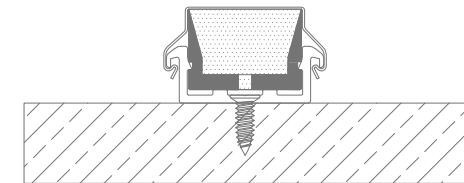
DURAFLEX HIVOLT TOP aluminum rigid profile with 2ea screws.
Dimension: 39" (1M) Length. Note, translucent cap style and bottom termination end prep configurations rest outside of the profile.

Part No. **KT14HVUTP1**



Option 2: Fixed by aluminum channel + clip (outdoor exclusive)

Groove Size is shown below



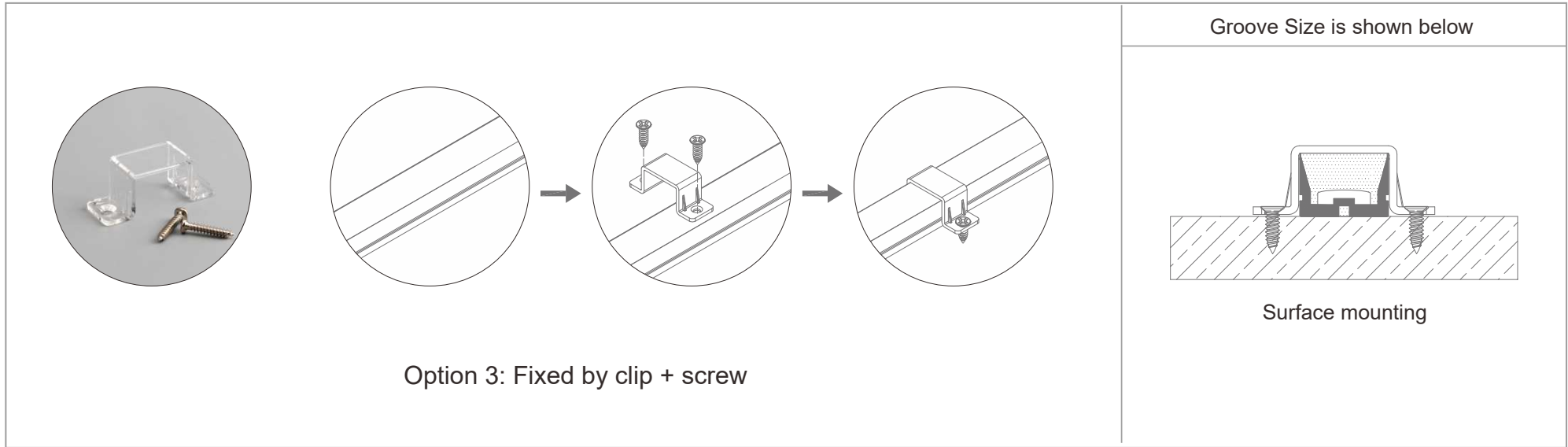
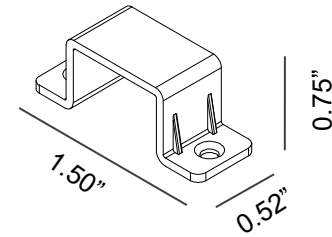
Surface mounting

REQUIRED END PREPS



DURAFLEX HIVOLT TOP transparent clips kit. Includes 2ea clips and 4ea screws.

Part No. **KT14HVUTS1**

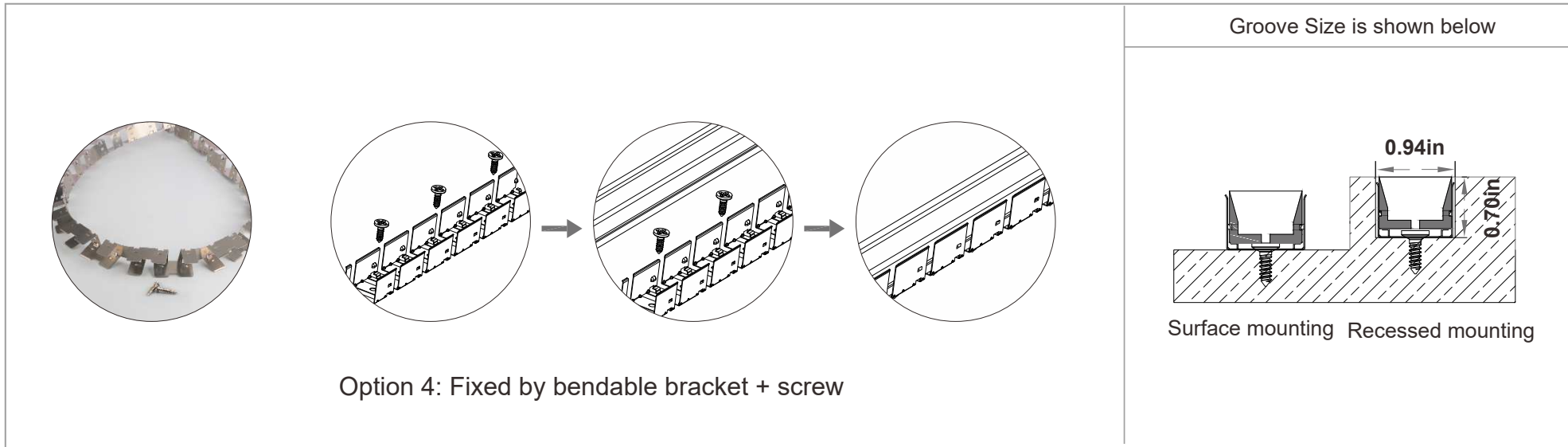
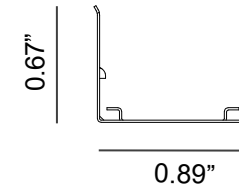


REQUIRED END PREPS



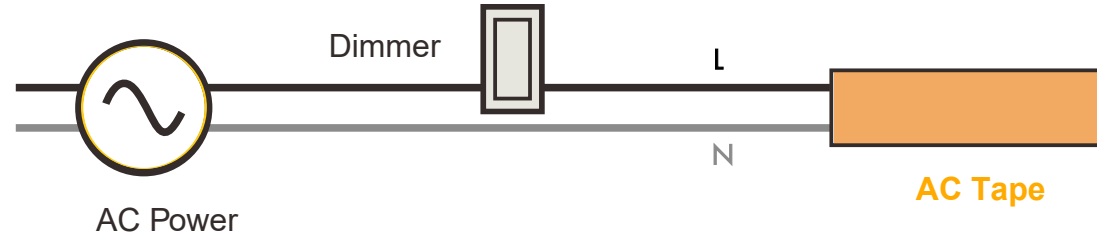
DURAFLEX HIVOLT TOP flexible stamped stainless steel profile secured with screws, 1ea provided per foot. Available in 1ft lengths. Note, translucent cap style and bottom termination end prep configurations rest outside of the profile.

Part No. **KT14HVUTFP2**



WIRING DIAGRAM

Connection Diagram:



COMPATIBLE DIMMERS			
Brand	Family	Model No.	Dim Range
LUTRON	DIVA	DVCL-153P	10%
		DVLV-600P	10%
		DV-600P	10%
		DVRF-6L	10%
	DALIA	RCL-153PNL	10%
	MAESTRO	MSCL-OP153M	10%
		MACL-153ML	10%
	SKYLARK	CTCL-150	10%
		CTCL-153P	10%
		SCL-153P	10%
TOGGLER	TGCL-153P	10%	
SUNNATA	STCL-153M	10%	
LEVITON	DECORA	IPL06	10%
		DSL06	10%
	TRIMATRON	6683	10%

Maintenance

This fixture was designed and manufactured for a durable, long lasting use with minimum care. To ensure the maximum lifespan of this product, we encourage our customers to provide a quality visual inspection of the fixture and installation accessories every six months.

If there are any visible signs of issues (i.e moisture or dust) during the inspection, please clean any of the dust or moisture with a soft cloth and check to make sure that all fixtures are still operating normally. If there are any issues regarding the fixture please contact us as we will assist the situation at hand.

Support

Any questions, problems, or comments you have please feel free to contact our Customer Service department during our business hours Monday-Friday 8am-5pm via: Email: usaorders@targetti.com
Phone: (714) 513-1991

Visit our website: <http://www.targettiusa.com>