



MRS. SMITH

MSSW41-

WALL MOUNT LUMINAIRE

WARNING

To ensure maximum efficiency of the product, read the following instructions thoroughly prior to installation.



This fixture must be installed by a licensed and qualified electrician. The installer must comply with NEC and local building codes when installing the fixture



Electrical current can cause painful shock, serious injury, or even death. Make sure you turn off the power supply, ground fixture(s), and make sure all electrical connections are correct and secured



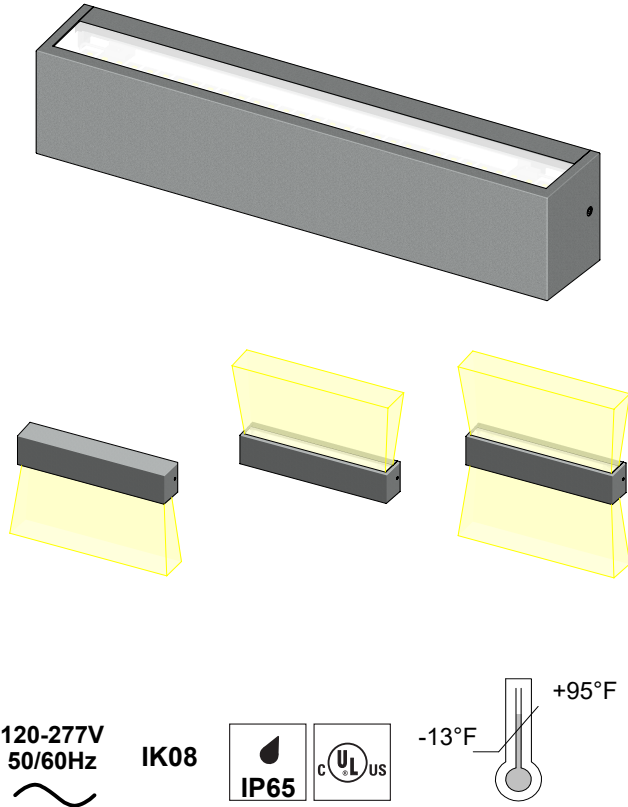
This fixture must not be installed during rain, fog, or high humidity



For use in IP65 installations.



Keep the label of the original packaging if any eventual future claims are needed

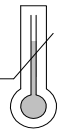


120-277V
50/60Hz

IK08



-13°F



+95°F

If in doubt about the symbols, please refer to catalog or website.

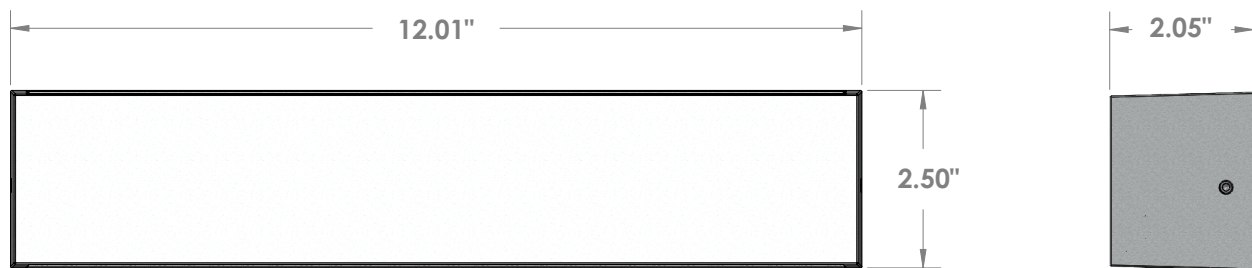
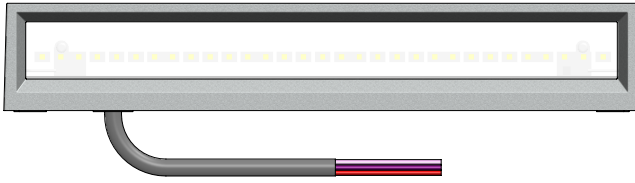


Table of Contents

Packaging Contents
Distribution of Light
Fixture Installation
Power Supply
Maintenance / Support

Pg.2
Pg.3
Pg.4/9
Pg.10
Pg.11

Packaging Contents



MRS. SMITH
MSSW41-

FINISH

- Ferrite Dark Grey
- Black
- Bronze
- Sandstone Grey
- Heritage Brown
- White

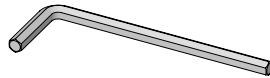
RAL — [Custom RAL](#)



Box 4"x 4"x 14" @ 2.05lbs



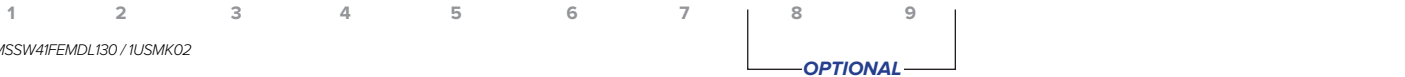
Alloy Steel
Cone-Point
Set Screw 2ea.



2.5 mm Allen key 1 ea.

SPECIFICATION INFORMATION

MSS



Ex: MSSW41FEMDL130 / 1USMK02

1 - PRODUCT CODE	2 - TYPE	3 - DRIVER	4 - FINISH	5 - EMISSION	6 - WATTAGE	7 - KELVIN
MSS — MRS SMITH	W — Wall Mounted	41 — 4/1 Smart Dimming (Non-Dimming / 0-10V / Reverse Phase / Forward Phase)	FE — Ferrite Dark Grey HB — Heritage Brown BZ — Bronze WT — White BT — Black SG — Sandstone Grey RAL — Custom RAL	MD^B — Monoemission Direct MU^B — Monoemission Indirect BI^C — Biemission	L1 — 7W L2 — 14W	27 — 2700K 30 — 3000K 35 — 3500K 40 — 4000K
8 - MARINE GRADE		9 - MOUNTING				
MG^A — Marine Grade		<u>J-box wall mount plate</u> See section for details				

^A Marine Grade is recommended for use in environments with occasional exposure to salt air, reclaimed water, fertilizers, chemical cleaners, or frequent pressure washing (steam) cleaning. Fixture housing complete with marine grade cataphoresis suitable for use in marine grade environments. Not to be in direct contact with salt or corrosive agents for extended periods of time.

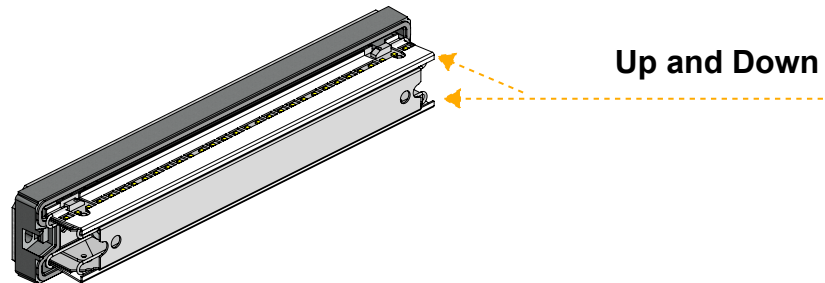
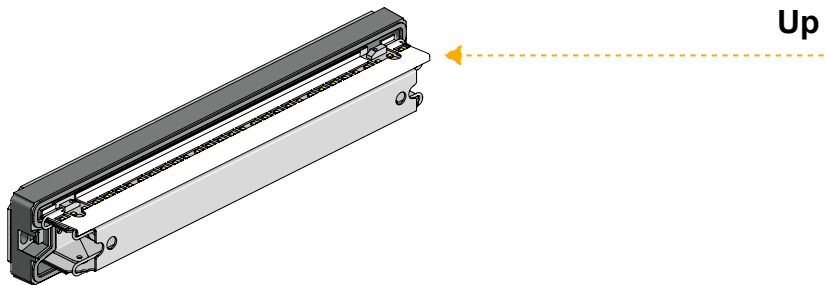
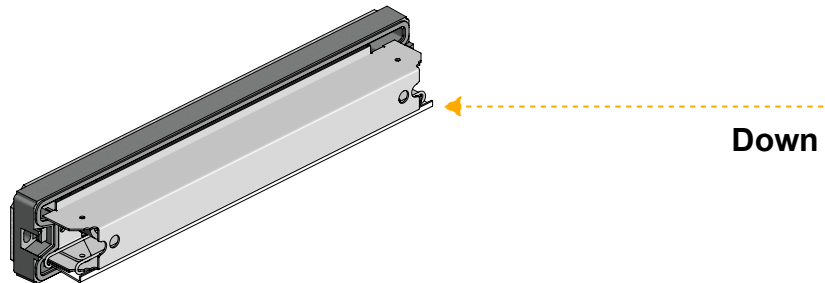
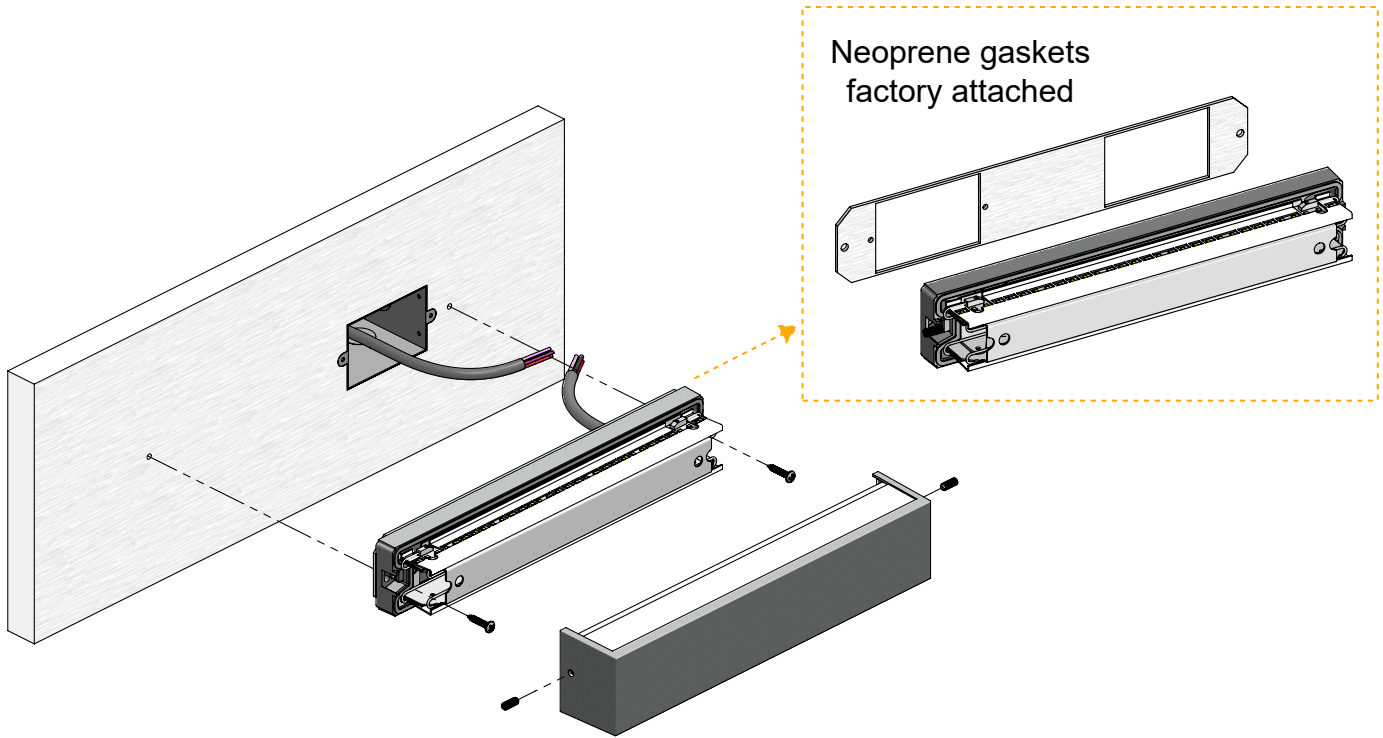
^B Monoemission Direct and Monoemission Indirect only available in 7W.

^C Biemission only available in 14W.

Fixture Installation

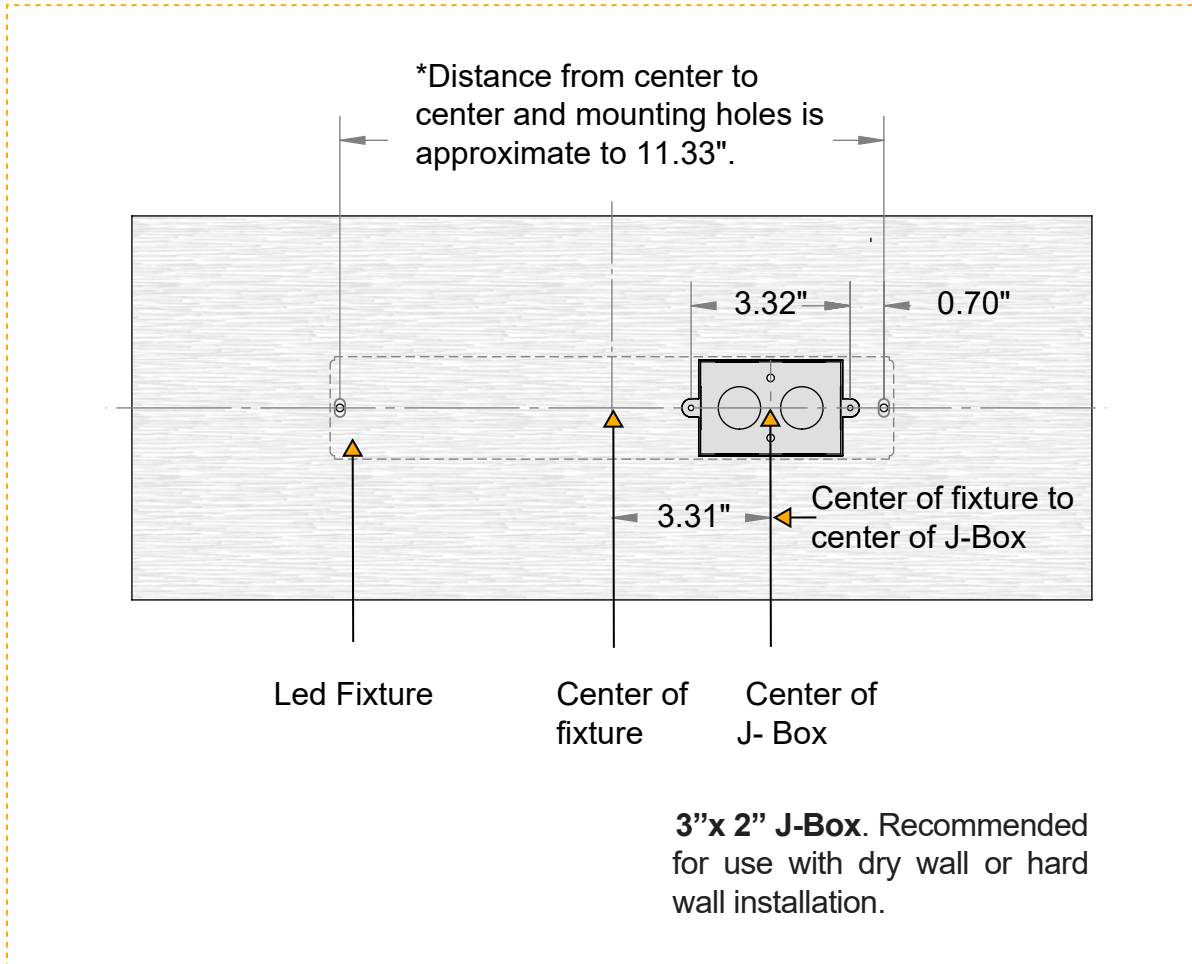
Recessed J-Box / Feed Position

Install Led Fixture as Down or Up or Up/Down

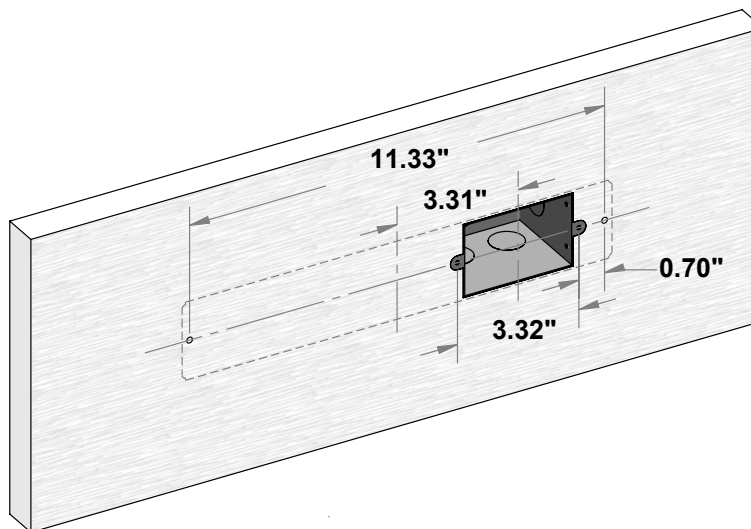


Fixture Installation

Recessed J-Box / Feed Position



Install Led Fixture as Down or Up or Up/Down



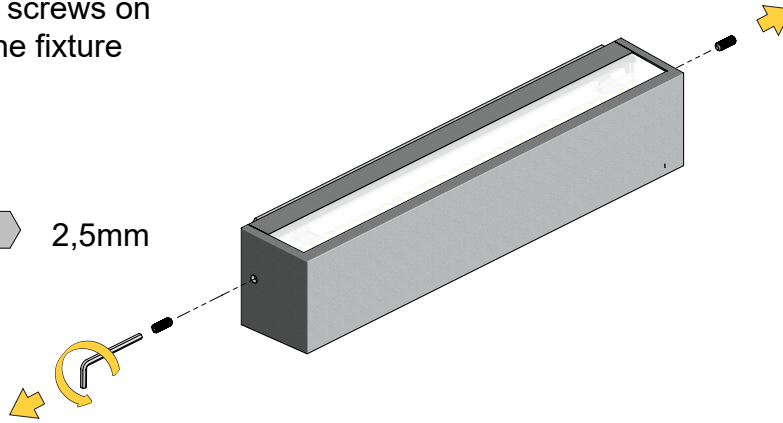
Fixture Installation

Recessed J-Box / Mud Plate

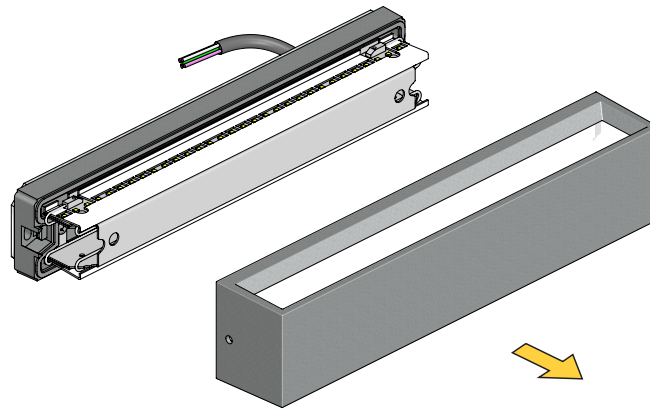
Prepare the LED fixture for Installation following these simple steps.

- ① Remove the screws on the side of the fixture

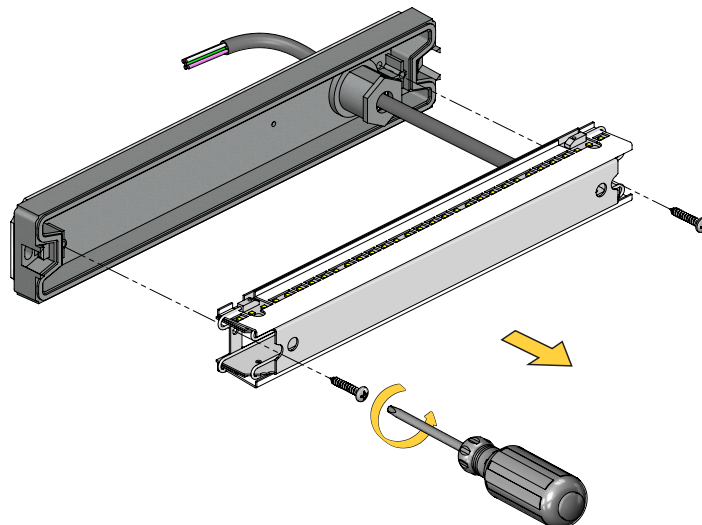
x2  2,5mm



- ② Remove the face cover



- ③ Remove the fastening screws out the fixture

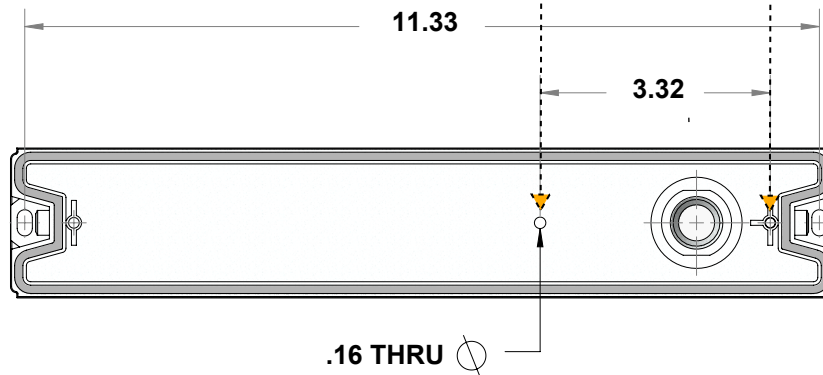


Fixture Installation

Recessed J-Box / Mud Plate

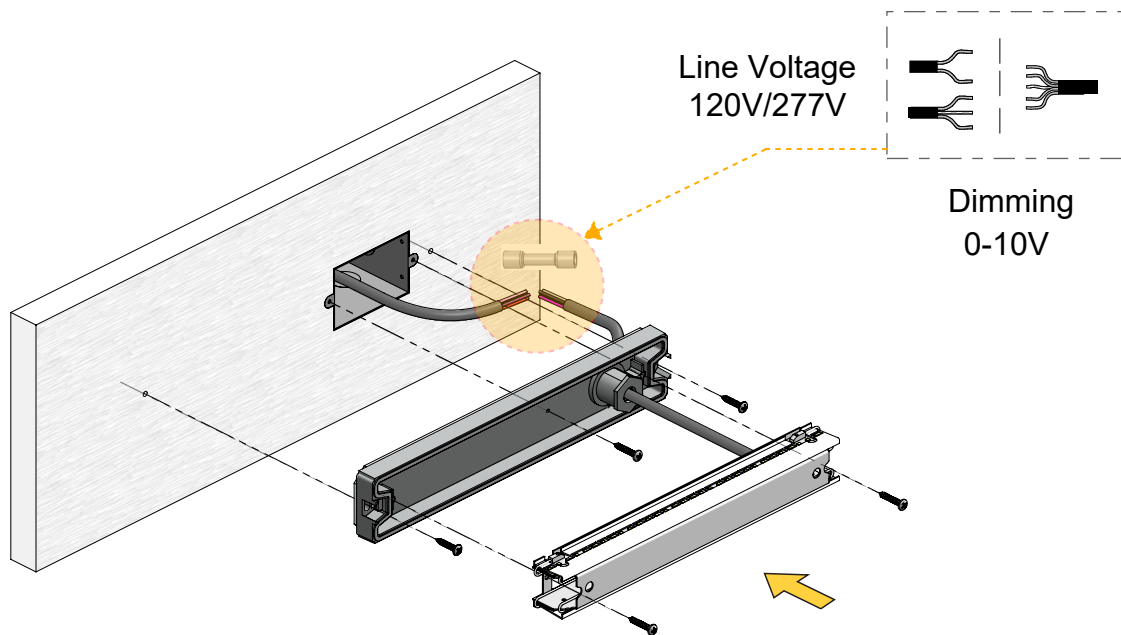
④

J-Box mounting holes through base of fixture as shown

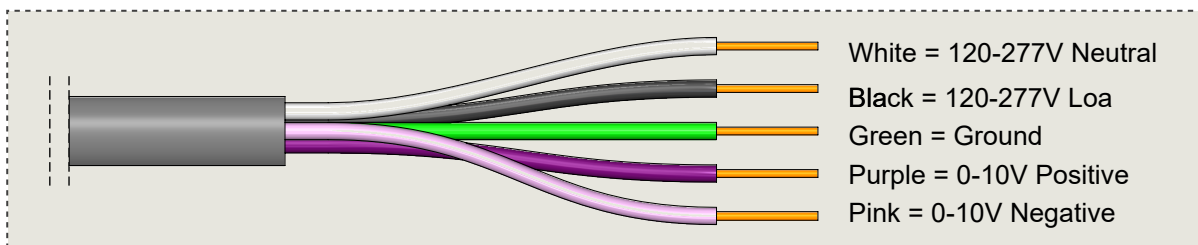


⑤

Make connections accordingly using water proof connectors.



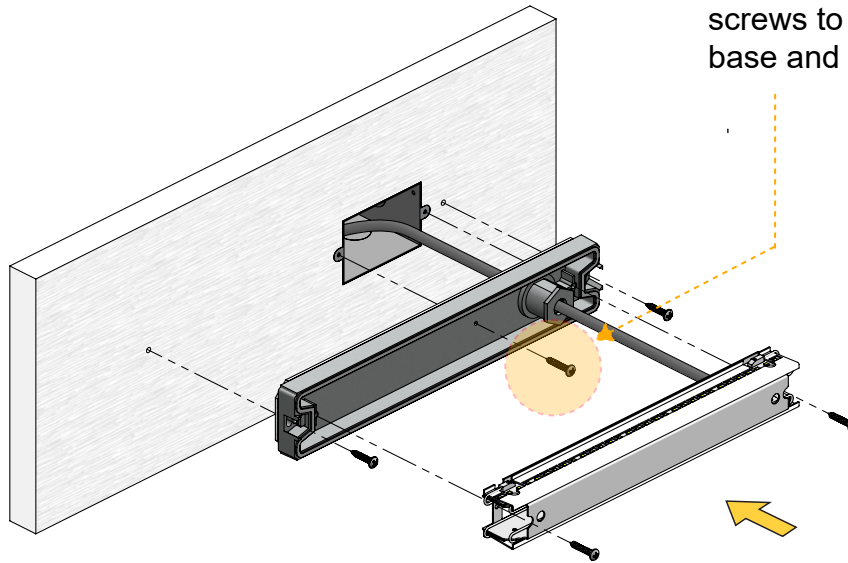
Conductor Callout



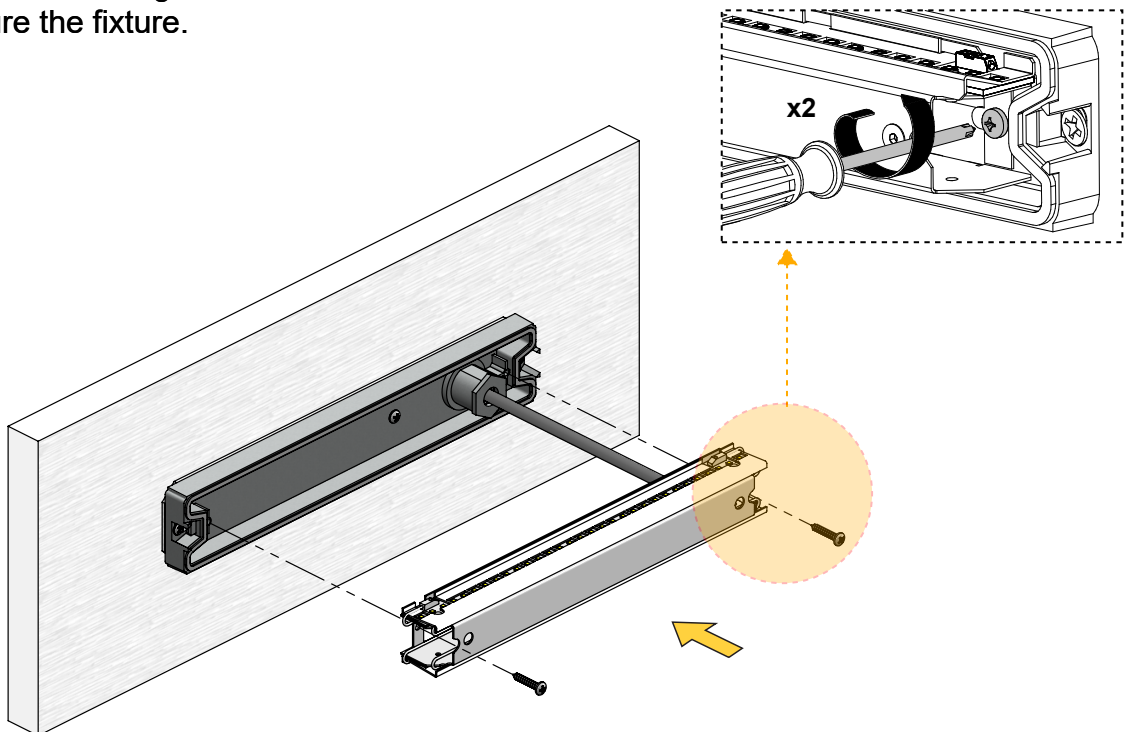
Fixture Installation

Recessed J-Box / Mud Plate

⑥ Install base onto the wall



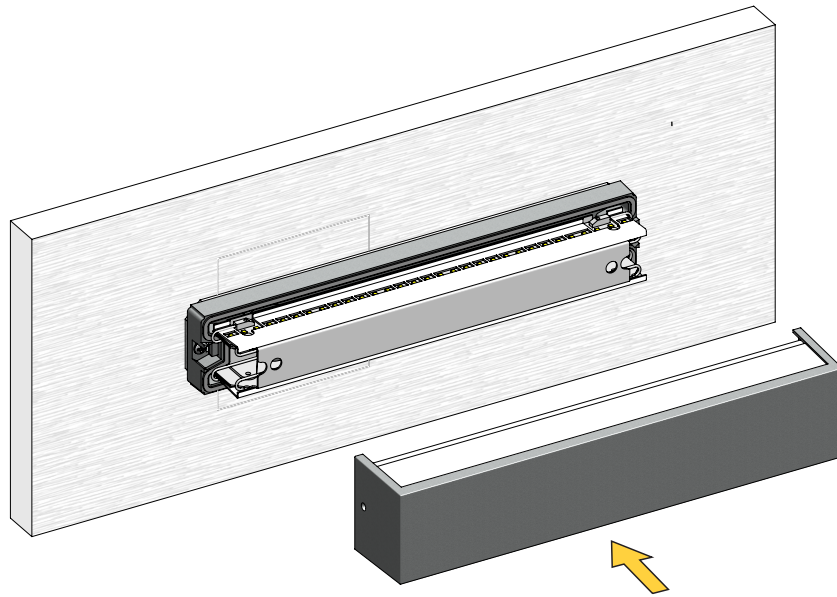
⑦ Insert the fastening screws to secure the fixture.



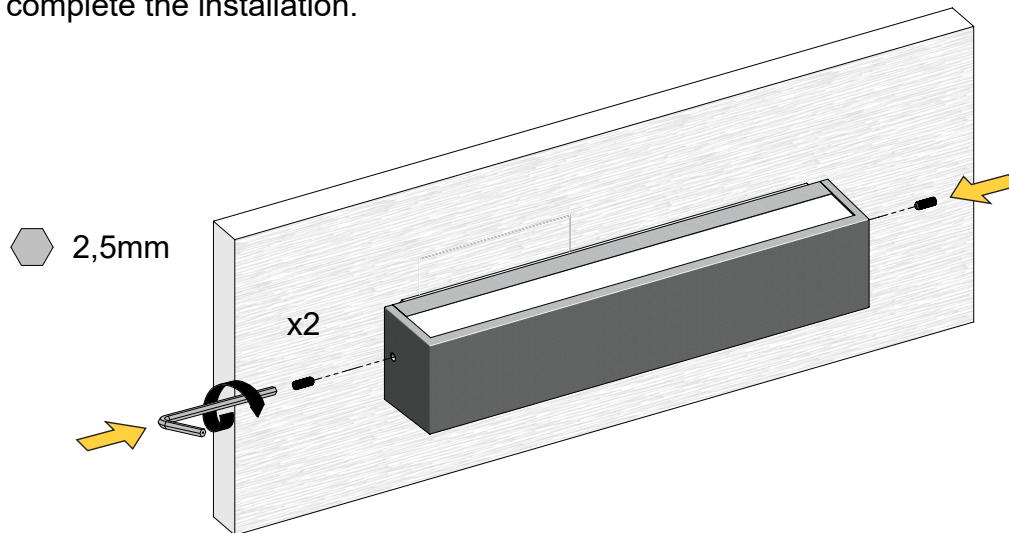
Fixture Installation

Recessed J-Box / Mud Plate

- ⑧ Install the face cover into fixture.



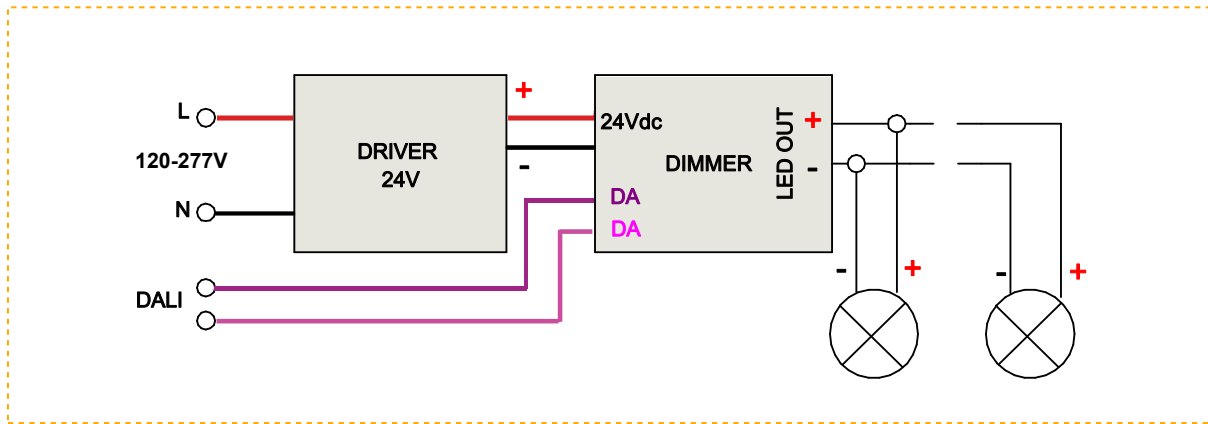
- ⑨ Insert the 2 set screws one on each side of the fixture and tighten to complete the installation.



Power Supply

120/277V AC 50/60Hz

Diagram



Maintenance

This fixture was designed and manufactured for a durable, long lasting use with minimum care. To ensure the maximum lifespan of this product, we encourage our customers to provide a quality visual inspection of the fixture and installation accessories every six months.

If there are any visible signs of issues (i.e moisture or dust) during the inspection, please clean any of the dust or moisture with a soft cloth and check to make sure that any of the fixtures are still operating normally. If there are any issues regarding the fixture please contact us as we will assist the situation at hand.

Support

Any questions, problems, or comments you have please feel free to contact our Customer Service department during our business hours Monday-Friday 8am-5pm via: Email: usaorders@targetti.com
Phone: (714) 513-1991

Visit our website: <http://www.targettiusa.com>